

Dell™ Inspiron™

ADVANCED PORT REPLICATOR USER'S GUIDE

Notes, Notices, and Cautions

Throughout this guide, blocks of text may be accompanied by an icon and printed in bold type or in italic type. These blocks are notes, notices, and cautions, and they are used as follows:



NOTE: A NOTE indicates important information that helps you make better use of your computer system.

NOTICE: A NOTICE indicates either potential damage to hardware or loss of data and tells you how to avoid the problem.



CAUTION: A CAUTION indicates a potentially hazardous situation which, if not avoided, may result in minor or moderate injury.

Information in this document is subject to change without notice.

© 1999–2000 Dell Computer Corporation. All rights reserved.

Reproduction in any manner whatsoever without the written permission of Dell Computer Corporation is strictly forbidden.

Trademarks used in this text: *Dell*, the *DELL* logo, *BE DIRECT*, *Inspiron*, and *DellWare* are trademarks of Dell Computer Corporation; *Microsoft*, *Windows*, and *Windows NT* are registered trademarks of Microsoft Corporation; *3Com* is a registered trademark of 3Com Corporation.

Other trademarks and trade names may be used in this document to refer to either the entities claiming the marks and names or their products. Dell Computer Corporation disclaims any proprietary interest in trademarks and trade names other than its own.

February 2000 P/N 8498T Rev. A02



Contents

APR I/O Connectors	1-1
APR Controls and Indicators	1-3
Connecting External Devices to the APR	1-4
Connecting the Computer to the APR.	1-4
Docking the Computer	1-5
Undocking the Computer	1-6
Monitor Stand	1-7
Safety Instructions.	1-8
Technical Specifications	1-9
Regulatory Notices	1-11
FCC Notices (U.S. Only)	1-12
Class A	1-12
Class B	1-13
IC Notice (Canada Only)	1-13
CE Notice (European Union)	1-14
EN 55022 Compliance (Czech Republic Only)	1-14
VCCI Notice (Japan Only)	1-14
Class A ITE	1-15
Class B ITE	1-15
MOC Notice (South Korea Only)	1-16
Class A Device	1-16
Class B Device	1-17
Polish Center for Testing and Certification Notice	1-17
Wymagania Polskiego Centrum Badań i Certyfikacji	1-17
Pozostałe instrukcje bezpieczeństwa	1-18
NOM Information (Mexico Only)	1-18
Información para NOM (únicamente para México)	1-19
Warranty and Return Policy.	1-20
Three-Year Limited Warranty (U.S. Only)	1-20

Coverage During Year One	1-20
Coverage During Years Two and Three	1-21
General Provisions	1-21
Three-Year Limited Warranty (Canada Only)	1-22
Coverage During Year One	1-22
Coverage During Years Two and Three	1-23
General Provisions	1-23
“Total Satisfaction” Return Policy (U.S. and Canada Only)	1-24

Figures

Figure 1-1. I/O Connectors on the Back of the APR	1-2
Figure 1-2. Audio Line-Out Connector	1-3
Figure 1-3. Controls and Indicators	1-3
Figure 1-4. Docking the Computer	1-5
Figure 1-5. Undocking the Computer	1-6
Figure 1-6. APR With the Monitor Stand	1-7
Figure 1-7. VCCI Class A ITE Regulatory Mark	1-15
Figure 1-8. VCCI Class B ITE Regulatory Mark	1-15
Figure 1-9. MOC Class A Regulatory Mark	1-16
Figure 1-10. MOC Class B Regulatory Mark	1-17

Tables

Table 1-1. External I/O Connectors	1-2
Table 1-2. Technical Specifications	1-9



Dell™ Inspiron™ Advanced Port Replicator User's Guide

The advanced port replicator (APR) integrates your computer quickly and easily into a desktop environment. Use the instructions in this document to attach external devices to the APR and to connect your computer to the APR.



NOTE: If you received a basic input/output system (BIOS) upgrade diskette with your APR, use the diskette to upgrade the BIOS on your computer before attaching it to the APR. For instructions, see the documentation that came with the BIOS upgrade diskette.

NOTICE: Do not attempt to lift the computer while it is docked in the APR. Doing so will damage the docking connector. For instructions, refer to "Undocking the Computer," found later in this guide.

APR I/O Connectors

The input/output (I/O) connectors on the back and side of the APR (see Figures 1-1 and 1-2) duplicate the primary connectors on the back and side of your computer.

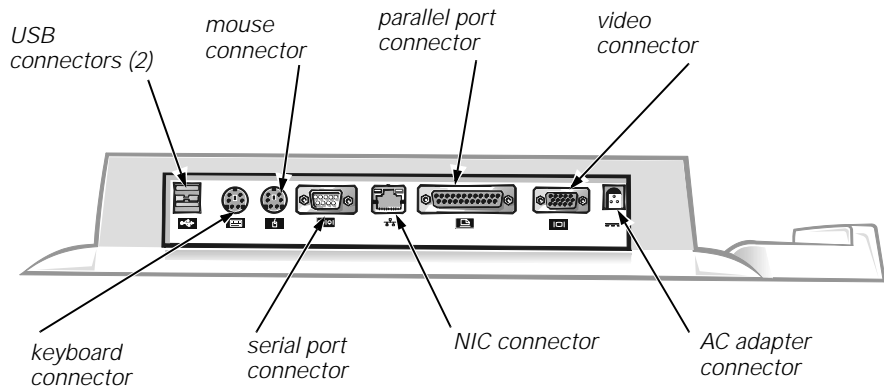




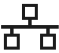





Figure 1-1. I/O Connectors on the Back of the APR

Table 1-1 shows the icons for each of the connectors on the back of the APR and indicates the type of external device(s) that you can attach to each connector.

Table 1-1. External I/O Connectors

Connector Icon	Connector Description
	One or two USB devices, such as a USB mouse, can be connected to the dual USB connectors.
	An external PS/2-style keyboard or external numeric keypad can be connected to the keyboard connector.
	An external PS/2-compatible mouse can be connected to the PS/2 mouse connector.
	A serial device, such as a serial mouse or external modem, can be connected to the serial port connector.
	A network interface cable can be connected to the NIC connector.
	A parallel device, such as a printer, can be connected to the parallel port connector.
	An external monitor can be connected to the video connector.
	The AC adapter that came with the APR can be connected to the AC adapter connector.

NOTE: For the full name of an abbreviation or acronym used in this table, see the Glossary in the system Help.

The audio line-out connector is on the side of the APR (see Figure 1-2).

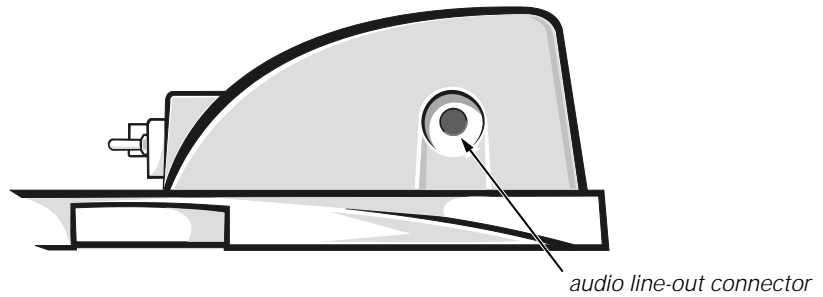


Figure 1-2. Audio Line-Out Connector

APR Controls and Indicators

The controls and indicators on the APR are shown in Figure 1-3.

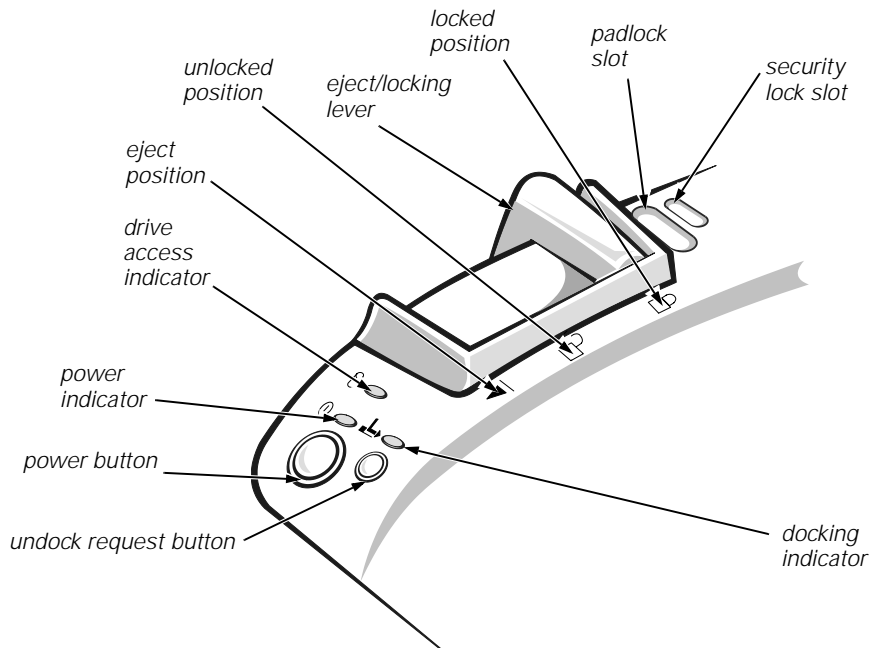


Figure 1-3. Controls and Indicators

Connecting External Devices to the APR

To attach external devices to the APR, perform the following steps:

1. Refer to Figure 1-1 to attach external devices to the appropriate connectors on the back of the APR.



NOTE: If the cable connector from the external device has thumbscrews, be sure to tighten them to ensure a proper connection.

For detailed information on using external devices with your computer, see “Connecting External Devices” in the system *Help*.

2. Connect the external devices to an electrical outlet, if applicable.

Connecting the Computer to the APR

You must attach an AC adapter to the APR before you dock and turn on the computer. The AC adapter powers the APR and the computer at the same time. Any battery installed in the computer charges while you use the APR.

NOTICE: Always use the Dell AC adapter that came with the APR. (Look for model number PA-6 on the bottom of the AC adapter.) If you use any other commercially available AC adapter—or the AC adapter from earlier models of Dell computers—you may damage the APR or the computer.

Before you initially connect your computer to the APR, the operating system must complete its setup process. To verify that the operating system has completed the setup process, perform the following steps:

1. Be sure that the computer is not docked in the APR.
2. Turn on the computer.
3. Verify that your computer’s operating system completes the setup process. For instructions, refer to the *Setup Guide* that accompanied your computer.
4. Turn off the computer.

You can now connect your computer to the APR as described in the following subsection, “Docking the Computer.”

Docking the Computer

To connect (or *dock*) your computer to the APR, perform the following steps:

1. Verify that the operating system has completed the setup process. For instructions, refer to the *Setup Guide* that accompanied your computer.
2. Save and close all open files, exit all open application programs, and shut down the computer.
3. If you have not already done so, connect the AC adapter to the connector on the APR (see Figure 1-1), and plug the AC power cable into an electrical outlet.
4. Horizontally center the computer on the APR platform, with the back of the computer facing the APR's docking connector, as shown in Figure 1-4.
5. Slide the computer toward the connector until you feel the grooves on the bottom of the computer engage with the alignment rails.

NOTICE: If you attempt to push the computer all the way into the APR without engaging the alignment rails, you may irreparably damage the docking connector on the computer.

NOTE: If you have a monitor stand installed, you will not be able to see the alignment rails or the docking connector.



6. Gently push the computer forward until the docking connector is fully engaged.

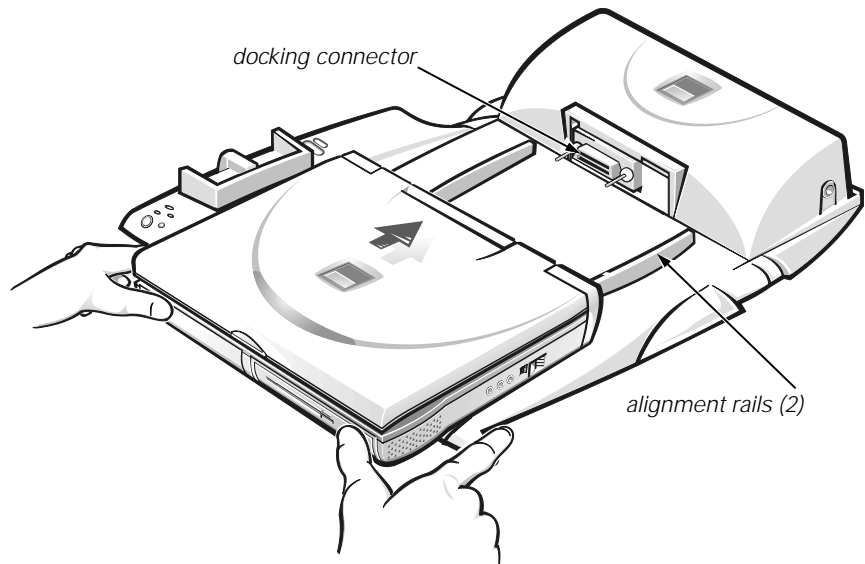


Figure 1-4. Docking the Computer

Undocking the Computer

Perform the following steps to disconnect the computer from the APR:

1. Save and close all open files and exit all open application programs.

NOTICE: If the computer does not have a charged battery, the computer turns off when you detach the computer from the APR, and all unsaved data is lost.

NOTICE: Never undock the computer and the APR without first preparing the computer. Any of the three following methods prepares the operating system, network, and storage devices for undocking by completing data transfers. If you undock the computer before these transfers are completed, you will lose data and the computer may not recover normal operation for several minutes, if at all.

2. To prepare the computer for undocking, perform one of the following procedures:
 - Press <Fn><Esc> on the computer's keyboard (or press <Scroll Lock><Esc> on an external keyboard).
After a few seconds, the power indicator on the computer turns off.
 - If you are using the Microsoft® Windows® 98 or Windows 2000 operating system, click the **Start** button, and then click **Eject PC**. If you are using the Microsoft Windows NT® operating system, click the docking icon and then click **Undock** to place the computer in standby mode.
After a few seconds, the power indicator on the computer turns off.
 - Press the undock request button on the APR (see Figure 1-5).
The green docking indicator turns off.
3. Slide the eject/locking lever on the left side of the APR (see Figure 1-5) to the eject position to undock the computer.

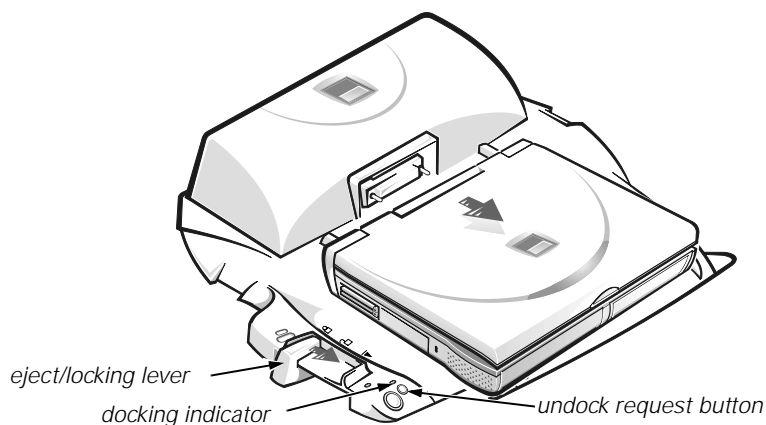


Figure 1-5. Undocking the Computer

Monitor Stand

The monitor stand setup is shown in Figure 1-6.

NOTICE: The stand supports monitors that weigh up to 45.3 kilograms (kg) (100 pounds [lb]). Heavier monitors may damage the stand, computer, and APR.



NOTE: Be sure that the back legs on the monitor stand engage the slots on either side of the docking control base.

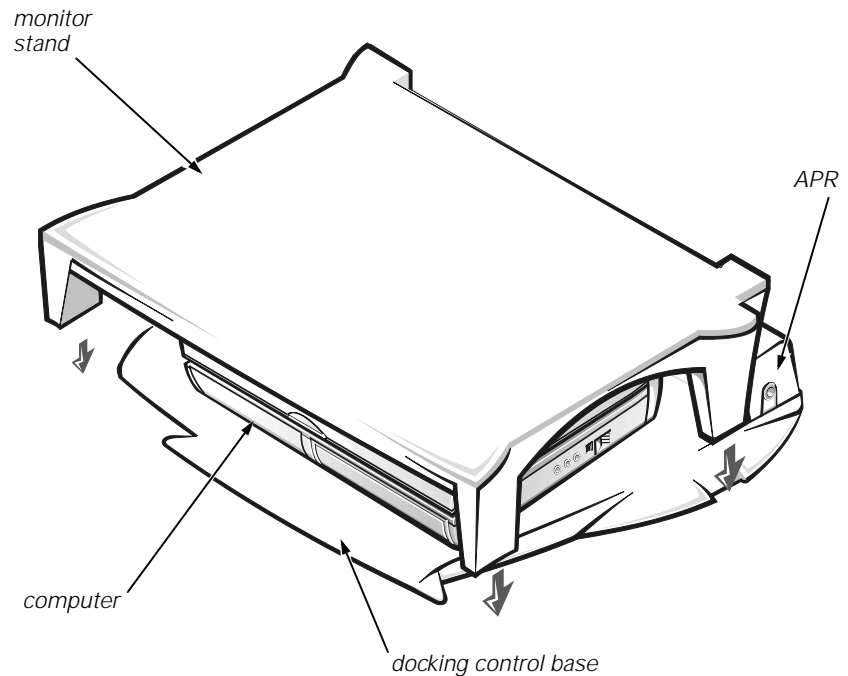


Figure 1-6. APR With the Monitor Stand

Safety Instructions

Use the following safety guidelines to help protect your APR from potential damage and to help ensure your own personal safety:

- Do not attempt to service the APR yourself. Always follow installation instructions closely.
- Be sure that nothing rests on your AC adapter's power cable.
- Be sure that the cable is not located where it can be tripped over or stepped on.
- Place the AC adapter in a ventilated area, such as a desktop or on the floor, when powering the APR. Do not cover the AC adapter with papers or other items that will reduce cooling. Do not use the AC adapter inside a carrying case.
- Do not use your APR in a wet environment, for example, near a bathtub, sink, or swimming pool or in a wet basement.
- Do not push objects into air vents or openings of your APR. Doing so can cause fire or electric shock by shorting out interior components.
- Use only the AC adapter that is approved for use with this APR as indicated in this document. Use of another type of AC adapter may risk fire or explosion.
- Before you connect the APR to a power source, ensure that the voltage rating of the AC adapter matches that of the available power source:
 - 115 volts (V)/60 hertz (Hz) in most of North and South America and some Far Eastern countries such as South Korea and Taiwan
 - 100 V/50 Hz in eastern Japan and 100 V/60 Hz in western Japan
 - 230 V/50 Hz in most of Europe, the Middle East and the Far East
- To help prevent electric shock, plug the AC adapter and peripheral power cables into properly grounded electrical outlets. These cables are equipped with 3-prong plugs to help ensure proper grounding. Do not use adapter plugs or remove the grounding prong from a cable. If you must use an extension cable, use a 3-wire cable with properly grounded plugs.
- If you use an extension cable with your AC adapter, ensure that the total ampere rating of the products plugged into the extension cable does not exceed the ampere rating of the extension cable.
- To remove power from the APR, turn off the computer and disconnect the AC adapter from the electrical outlet.
- To help avoid the potential hazard of electric shock, do not connect or disconnect any cables or perform maintenance or reconfiguration of this product during an electrical storm.
- When setting up the APR for work, place it on a level surface.
- Protect your APR from environmental hazards such as dirt, dust, food, liquids, temperature extremes, and overexposure to sunlight.
- When you move your APR between environments with very different temperature or humidity ranges, condensation may form on or within the

computer. To avoid damaging the APR, allow sufficient time for the moisture to evaporate before using the computer.

NOTICE: When taking the APR from low-temperature conditions into a warmer environment or from high-temperature conditions into a cooler environment, allow the APR to acclimate to room temperature before turning on power.

- When you disconnect a cable, pull on its connector or on its strain-relief loop, not on the cable itself. As you pull out the connector, keep it evenly aligned to avoid bending any connector pins. Also, before you connect a cable make sure both connectors are correctly oriented and aligned.
- Before you clean your APR, turn it off and unplug it from the electrical outlet.
- Clean your APR with a soft cloth dampened with water rather than with liquid or aerosol cleaners.
- If your APR gets wet or is damaged, follow the procedures described in Chapter 3, "Troubleshooting," of the *Reference and Troubleshooting Guide*. If, after following these procedures, you confirm that your APR is not operating properly, contact Dell Computer Corporation. (See Chapter 5, "Getting Help," in the *Reference and Troubleshooting Guide* for the appropriate telephone number.)

Technical Specifications

Table 1-2 lists the technical specifications for the APR.

Table 1-2. Technical Specifications

Physical	
Height:	
With monitor stand	10.2 cm (4.0 inches)
Stand-alone	5.8 cm (2.3 inches)
Depth:	
With monitor stand	39.0 cm (15.4 inches)
Stand-alone	35.8 cm (14.1 inches)
Width:	
With monitor stand	37.5 cm (14.8 inches)
Stand-alone	40.9 cm (16.1 inches)

NOTE: For the full name of an abbreviation or acronym used in this table, see the Glossary in the system Help.

Table 1-2. Technical Specifications (continued)

Physical (continued)	
Weight:	
With monitor stand	3.0 kg (6.5 lb)
Stand-alone	1.6 kg (3.5 lb)

I/O Connectors	
Serial (DTE)	9-pin connector
Parallel	25-hole connector
PS/2-style keyboard/keypad	6-hole PS/2 keyboard connector
PS/2-compatible mouse	6-hole PS/2 mouse connector
Video	15-hole connector
Audio	speaker-out (for optional headphones)
USB (dual)	two 4-pin connectors
DC-IN	one connector
Docking connector	240-pin connector
NIC	RJ-45 connector

Ethernet Network Controller	
Chip set	3Com® 3C920; 10/100 BASE-TX (PC98-compliant)
Data bus width	32-bit PCI host bus interface
IRQ	IRQ10

Power	
Voltage	requires 20 VDC from AC adapter
Amperage	3.5 A

NOTE: For the full name of an abbreviation or acronym used in this table, see the Glossary in the system Help.

Regulatory Notices

Electromagnetic Interference (EMI) is any signal or emission, radiated in free space or conducted along power or signal leads, that endangers the functioning of a radio navigation or other safety service or seriously degrades, obstructs, or repeatedly interrupts a licensed radio communications service. Radio communications services include but are not limited to AM/FM commercial broadcast, television, cellular services, radar, air-traffic control, pager, and Personal Communication Services (PCS). These licensed services, along with unintentional radiators such as digital devices, including computer systems, contribute to the electromagnetic environment.

Electromagnetic Compatibility (EMC) is the ability of items of electronic equipment to function properly together in the electronic environment. While this computer system has been designed and determined to be compliant with regulatory agency limits for EMI, there is no guarantee that interference will not occur in a particular installation. If this equipment does cause interference with radio communications services, which can be determined by turning the equipment off and on, you are encouraged to try to correct the interference by one or more of the following measures:

- Reorient the receiving antenna.
- Relocate the computer with respect to the receiver.
- Move the computer away from the receiver.
- Plug the computer into a different outlet so that the computer and the receiver are on different branch circuits.

If necessary, consult a Technical Support representative of Dell Computer Corporation or an experienced radio/television technician for additional suggestions. You may find the *FCC Interference Handbook, 1986*, to be helpful. It is available from the U.S. Government Printing Office, Washington, DC 20402, Stock No. 004-000-00450-7 or on the World Wide Web at <http://www.fcc.gov/Bureaus/Compliance/WWW/tvibook.html>.

Dell computer systems are designed, tested, and classified for their intended electromagnetic environment. These electromagnetic environment classifications generally refer to the following harmonized definitions:

- Class A is typically for business or industrial environments.
- Class B is typically for residential environments.

Information Technology Equipment (ITE), including peripherals, expansion cards, printers, input/output (I/O) devices, monitors, and so on, that are integrated into or connected to the system should match the electromagnetic environment classification of the computer system.

A Notice About Shielded Signal Cables: Use only shielded cables for connecting peripherals to any Dell device to reduce the possibility of interference with radio communications services. Using shielded cables ensures that you maintain the appropriate EMC classification for the intended environment. For parallel printers, a cable is available from Dell Computer Corporation. If you prefer, you can order a cable from

Dell Computer Corporation on the World Wide Web at <http://www.dell.com/products/dellware/index.htm>.

A Notice About Networked Computer Systems: Some Dell computer systems that are classified for Class B environments may include an on-board network interface controller (NIC). If your Class B system contains a NIC, it may be considered to be a Class A system at the time that the NIC is connected to a network. When the NIC is not connected to a network, your system is considered to be a Class B digital device.

Most Dell computer systems are classified for Class B environments. To determine the electromagnetic classification for your system or device, refer to the following sections specific for each regulatory agency. Each section provides country-specific EMC/EMI or product safety information.

FCC Notices (U.S. Only)

Most Dell computer systems are classified by the Federal Communications Commission (FCC) as Class B digital devices. However, the inclusion of certain options can change the rating of some configurations to Class A. To determine which classification applies to your computer system, examine all FCC registration labels located on the bottom or back panel of your computer, on card-mounting brackets, and on the cards themselves. If any one of the labels carries a Class A rating, your entire system is considered to be a Class A digital device. If *all* labels carry an FCC Class B rating as distinguished by either an FCC ID number or the FCC logo, (FCC), your system is considered to be a Class B digital device.

Once you have determined your system's FCC classification, read the appropriate FCC notice. Note that FCC regulations provide that changes or modifications not expressly approved by Dell Computer Corporation could void your authority to operate this equipment.

This device complies with Part 15 of the FCC Rules. Operation is subject to the following two conditions:

- This device may not cause harmful interference.
- This device must accept any interference received, including interference that may cause undesired operation.

Class A

This equipment has been tested and found to comply with the limits for a Class A digital device pursuant to Part 15 of the FCC Rules. These limits are designed to provide reasonable protection against harmful interference when the equipment is operated in a commercial environment. This equipment generates, uses, and can radiate radio frequency energy and, if not installed and used in accordance with the manufacturer's instruction manual, may cause harmful interference with radio communications. Operation of this equipment in a residential area is likely to cause harmful interference, in which case you will be required to correct the interference at your own expense.

Class B

This equipment has been tested and found to comply with the limits for a Class B digital device pursuant to Part 15 of the FCC Rules. These limits are designed to provide reasonable protection against harmful interference in a residential installation. This equipment generates, uses, and can radiate radio frequency energy and, if not installed and used in accordance with the manufacturer's instruction manual, may cause interference with radio communications. However, there is no guarantee that interference will not occur in a particular installation. If this equipment does cause harmful interference to radio or television reception, which can be determined by turning the equipment off and on, you are encouraged to try to correct the interference by one or more of the following measures:

- Reorient or relocate the receiving antenna.
- Increase the separation between the equipment and the receiver.
- Connect the equipment into an outlet on a circuit different from that to which the receiver is connected.
- Consult the dealer or an experienced radio/television technician for help.

The following information is provided on the device or devices covered in this document in compliance with FCC regulations:

- Model number: PRX
- Company name: Dell Computer Corporation
EMC Engineering Department
One Dell Way
Round Rock, Texas 78682 USA
512-338-4400

IC Notice (Canada Only)

Most Dell computer systems (and other Dell digital apparatus) are classified by the Industry Canada (IC) Interference-Causing Equipment Standard #3 (ICES-003) as Class B digital devices. To determine which classification (Class A or B) applies to your computer system (or other Dell digital apparatus), examine all registration labels located on the bottom or the back panel of your computer (or other digital apparatus). A statement in the form of "IC Class A ICES-003" or "IC Class B ICES-003" will be located on one of these labels. Note that Industry Canada regulations provide that changes or modifications not expressly approved by Dell Computer Corporation could void your authority to operate this equipment.

This Class B (or Class A, if so indicated on the registration label) digital apparatus meets the requirements of the Canadian Interference-Causing Equipment Regulations.

Cet appareil numérique de la Classe B (ou Classe A, si ainsi indiqué sur l'étiquette d'enregistrement) respecte toutes les exigences du Règlement sur le Matériel Brouilleur du Canada.

CE Notice (European Union)

Marking by the symbol **CE** indicates compliance of this Dell system to the EMC Directive and the Low Voltage Directive of the European Union. Such marking is indicative that this Dell system meets the following technical standards:

- EN 55022 — “Limits and Methods of Measurement of Radio Interference Characteristics of Information Technology Equipment.”
- EN 50082-1: 1992 — “Electromagnetic compatibility—Generic immunity standard Part 1: Residential, commercial, and light industry”
- EN 60950 — “Safety of Information Technology Equipment.”



NOTE: EN 55022 emissions requirements provide for two classifications:

- *Class A is for typical commercial areas.*
- *Class B is for typical domestic areas.*

This Dell device is classified for use in a typical Class B domestic environment.

A “Declaration of Conformity” in accordance with the preceding directives and standards has been made and is on file at Dell Products Europe BV, Limerick, Ireland.

EN 55022 Compliance (Czech Republic Only)

This device belongs to Class B devices as described in EN 55022, unless it is specifically stated that it is a Class A device on the specification label. The following applies to devices in Class A of EN 55022 (radius of protection up to 30 meters). The user of the device is obliged to take all steps necessary to remove sources of interference to telecommunication or other devices.

Pokud není na typovém štítku počítače uvedeno, že spadá do třídy A podle EN 55022, spadá automaticky do třídy B podle EN 55022. Pro zařízení zařazená do třídy A (ochranné pásmo 30m) podle EN 55022 platí následující. Dojde-li k rušení telekomunikačních nebo jiných zařízení, je uživatel povinen provést taková opatření, aby rušení odstranil.

VCCI Notice (Japan Only)

Most Dell computer systems are classified by the Voluntary Control Council for Interference (VCCI) as Class B information technology equipment (ITE). However, the inclusion of certain options can change the rating of some configurations to Class A. ITE, including peripherals, expansion cards, printers, input/output (I/O) devices, monitors, and so on, integrated into or connected to the system, should match the electromagnetic environment classification (Class A or B) of the computer system.

To determine which classification applies to your computer system, examine the regulatory labels/markings (see Figures 1-7 and 1-8) located on the bottom or back panel of your computer. Once you have determined your system's VCCI classification, read the appropriate VCCI notice.

Class A ITE

この装置は、情報処理装置等電波障害自主規制協議会（VCCI）の基準に基づくクラス A 情報技術装置です。この装置を家庭環境で使用すると電波妨害を引き起こすことがあります。この場合には使用者が適切な対策を講ずるよう要求されることがあります。

This is a Class A product based on the standard of the Voluntary Control Council for Interference (VCCI) for information technology equipment. If this equipment is used in a domestic environment, radio disturbance may arise. When such trouble occurs, the user may be required to take corrective actions.

VCCI-A

Figure 1-7. VCCI Class A ITE Regulatory Mark

Class B ITE

この装置は、情報処理装置等電波障害自主規制協議会（VCCI）の基準に基づくクラス B 情報技術装置です。この装置は家庭環境で使用することを目的としていますが、ラジオやテレビジョン受信機に近接して使用されると、受信障害を引き起こすことがあります。
取扱説明書に従って正しい取り扱いをしてください。

This is a Class B product based on the standard of the Voluntary Control Council for Interference (VCCI) for information technology equipment. If this equipment is used near a radio or television receiver in a domestic environment, it may cause radio interference. Install and use the equipment according to the instruction manual.



Figure 1-8. VCCI Class B ITE Regulatory Mark

MOC Notice (South Korea Only)

To determine which classification (Class A or B) applies to your computer system (or other Dell digital device), examine the South Korean Ministry of Communications (MOC) registration labels located on your computer (or other Dell digital device). The MOC label may be located separately from the other regulatory marking applied to your product. The English text, "EMI (A)," for Class A products, or "EMI (B)" for Class B products, appears in the center of the MOC label (see Figures 1-9 and 1-10).



NOTE: MOC emissions requirements provide for two classifications:

- *Class A devices are for business purposes.*
- *Class B devices are for nonbusiness purposes.*

Class A Device

장치 종류	사용자 안내문
A 급 기기	이 장치는 업무용으로 전자파 적합등록을 한 장치이오니 판매자 또는 사용자는 이 점을 주의하시기 바라며 만약 잘못 판매 또는 구입하였을 때에는 가정용으로 교환하시기 바랍니다.

Please note that this device has been approved for business purposes with regard to electromagnetic interference. If you find that this device is not suitable for your use, you may exchange it for a nonbusiness device.

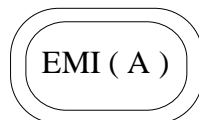


Figure 1-9. MOC Class A Regulatory Mark

Class B Device

장치 종류	사용자 안내문
B급 기기	이 장치는 가정용으로 전자파 적합등록을 한 장치로서 주거지역에서는 물론 모든 지역에서 사용할 수 있습니다.

Please note that this device has been approved for nonbusiness purposes and may be used in any environment, including residential areas.

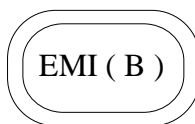


Figure 1-10. MOC Class B Regulatory Mark

Polish Center for Testing and Certification Notice

The equipment should draw power from a socket with an attached protection circuit (a three-prong socket). All equipment that works together (computer, monitor, printer, and so on) should have the same power supply source.

The phasing conductor of the room's electrical installation should have a reserve short-circuit protection device in the form of a fuse with a nominal value no larger than 16 amperes (A).

To completely switch off the equipment, the power supply cable must be removed from the power supply socket, which should be located near the equipment and easily accessible.

A protection mark "B" confirms that the equipment is in compliance with the protection usage requirements of standards PN-93/T-42107 and PN-EN55022:1996.

Wymagania Polskiego Centrum Badań i Certyfikacji

Urządzenie powinno być zasilane z gniazda z przyłączonym obwodem ochronnym (gniazdo z kołkiem). Współpracujące ze sobą urządzenia (komputer, monitor, drukarka) powinny być zasilane z tego samego źródła.

Instalacja elektryczna pomieszczenia powinna zawierać w przewodzie fazowym rezerwową ochronę przed zwarciami, w postaci bezpiecznika o wartości znamionowej nie większej niż 16A (amperów).

W celu całkowitego wyłączenia urządzenia z sieci zasilania, należy wyjąć wtyczkę kabla zasilającego z gniazdka, które powinno znajdować się w pobliżu urządzenia i być łatwo dostępne.

Znak bezpieczeństwa "B" potwierdza zgodność urządzenia z wymaganiami bezpieczeństwa użytkownika zawartymi w PN-93/T-42107 i PN-EN55022:1996.

Pozostałe instrukcje bezpieczeństwa

- Nie należy używać wtyczek adapterowych lub usuwać kołka obwodu ochronnego z wtyczki. Jeżeli konieczne jest użycie przedłużacza to należy użyć przedłużacza 3-żyłowego z prawidłowo połączonym przewodem ochronnym.
- System komputerowy należy zabezpieczyć przed nagłymi, chwilowymi wzrostami lub spadkami napięcia, używając eliminatora przepięć, urządzenie dopasowujące lub bezzakłóceńowego źródła zasilania.
- Należy upewnić się, aby nic nie leżało na kablach systemu komputerowego, oraz aby kable nie były umieszczone w miejscu, gdzie można byłoby na nie nadeptywać lub potykać się o nie.
- Nie należy rozlewać napojów ani innych płynów na system komputerowy.
- Nie należy wpychać żadnych przedmiotów do otworów systemu komputerowego, gdyż może to spowodować pożar lub porażenie prądem, poprzez zwarcie elementów wewnętrznych.
- System komputerowy powinien znajdować się z dala od grzejników i źródeł ciepła. Ponadto, nie należy blokować otworów wentylacyjnych. Należy unikać kładzenia luźnych papierów pod komputer oraz umieszczania komputera w ciasnym miejscu bez możliwości cyrkulacji powietrza wokół niego.

NOM Information (Mexico Only)

The following information is provided on the device(s) described in this document in compliance with the requirements of the official Mexican standards (NOM):

Exporter:	Dell Computer Corporation One Dell Way Round Rock, TX 78682
Importer:	Dell Computer de México, S.A. de C.V. Rio Lerma No. 302 - 4° Piso Col. Cuauhtemoc 16500 México, D.F.
Ship to:	Dell Computer de México, S.A. de C.V. al Cuidado de Kuehne & Nagel de México S. de R.L. Avenida Soles No. 55 Col. Peñon de los Baños 15520 México, D.F.
Supply voltage:	100–240 VAC
Frequency:	60–50 Hz
Input current rating:	1.5 A

Información para NOM (únicamente para México)

La información siguiente se proporciona en el dispositivo o en los dispositivos descritos en este documento, en cumplimiento con los requisitos de la Norma Oficial Mexicana (NOM):

Exportador:	Dell Computer Corporation One Dell Way Round Rock, TX 78682
Importador:	Dell Computer de México, S.A. de C.V. Rio Lerma No. 302 - 4° Piso Col. Cuauhtemoc 16500 México, D.F.
Embarcar a:	Dell Computer de México, S.A. de C.V. al Cuidado de Kuehne & Nagel de México S. de R.L. Avenida Soles No. 55 Col. Peñon de los Baños 15520 México, D.F.
Tensión alimentación:	100–240 VAC
Frecuencia:	60–50 Hz
Consumo de corriente:	1.5 A

Warranty and Return Policy

Three-Year Limited Warranty (U.S. Only)

Dell Computer Corporation ("Dell") manufactures its hardware products from parts and components that are new or equivalent to new in accordance with industry-standard practices. Dell warrants that the hardware products it manufactures will be free from defects in materials and workmanship. The limited warranty term is three years beginning on the date of invoice, as described in the following text.

Damage due to shipping the products to you is covered under this limited warranty. Otherwise, this limited warranty does not cover damage due to external causes, including accident, abuse, misuse, problems with electrical power, servicing not authorized by Dell, usage not in accordance with product instructions, failure to perform required preventive maintenance, and problems caused by use of parts and components not supplied by Dell.

This limited warranty does not cover any items that are in one or more of the following categories: software; external devices (except as specifically noted); accessories or parts added to a Dell system after the system is shipped from Dell; accessories or parts added to a Dell system through Dell's system integration department; accessories or parts that are not installed in the Dell factory; or DellWare™ products. Monitors, keyboards, and mice that are Dell-branded or that are included on Dell's standard price list are covered under this limited warranty; all other monitors, keyboards, and mice (including those sold through the DellWare program) are not covered. Batteries for portable computers are covered only during the initial one-year period of this limited warranty.

Coverage During Year One

During the one-year period beginning on the invoice date, Dell will repair or replace products covered under this limited warranty that are returned to Dell's facility. To request warranty service, you must call Dell's Customer Technical Support within the warranty period. Refer to the chapter titled "Getting Help" in your system's troubleshooting documentation or, for some systems, the section titled "Contacting Dell" in your system's online guide to find the appropriate telephone number for obtaining customer assistance. If warranty service is required, Dell will issue a Return Material Authorization Number. You must ship the products back to Dell in their original or equivalent packaging, prepay shipping charges, and insure the shipment or accept the risk of loss or damage during shipment. Dell will ship the repaired or replacement products to you freight prepaid if you use an address in the continental U.S., where applicable. Shipments to other locations will be made freight collect.



NOTE: Before you ship the product(s) to Dell, back up the data on the hard-disk drive(s) and any other storage device(s) in the product(s). Remove any removable media, such as diskettes, CDs, or PC Cards. Dell does not accept liability for lost data or software.

Dell owns all parts removed from repaired products. Dell uses new and reconditioned parts made by various manufacturers in performing warranty repairs and building

replacement products. If Dell repairs or replaces a product, its warranty term is not extended.

Coverage During Years Two and Three

During the second and third years of this limited warranty, Dell will provide, on an exchange basis and subject to Dell's Exchange Policy in effect on the date of the exchange, replacement parts for the Dell hardware product(s) covered under this limited warranty when a part requires replacement. You must report each instance of hardware failure to Dell's Customer Technical Support in advance to obtain Dell's concurrence that a part should be replaced and to have Dell ship the replacement part. Dell will ship parts (freight prepaid) if you use an address in the continental U.S., where applicable. Shipments to other locations will be made freight collect. Dell will include a prepaid shipping container with each replacement part for your use in returning the replaced part to Dell. Replacement parts are new or reconditioned. Dell may provide replacement parts made by various manufacturers when supplying parts to you. The warranty term for a replacement part is the remainder of the limited warranty term.

You will pay Dell for replacement parts if the replaced part is not returned to Dell. The process for returning replaced parts, and your obligation to pay for replacement parts if you do not return the replaced parts to Dell, will be in accordance with Dell's Exchange Policy in effect on the date of the exchange.

You accept full responsibility for your software and data. Dell is not required to advise or remind you of appropriate backup and other procedures.

General Provisions

THIS LIMITED WARRANTY GIVES YOU SPECIFIC LEGAL RIGHTS WHICH VARY FROM STATE TO STATE (OR JURISDICTION TO JURISDICTION). DELL'S RESPONSIBILITY FOR MALFUNCTIONS AND DEFECTS IN HARDWARE IS LIMITED TO REPAIR AND REPLACEMENT AS SET FORTH IN THIS LIMITED WARRANTY STATEMENT. ALL EXPRESS AND IMPLIED WARRANTIES FOR THE PRODUCT, INCLUDING BUT NOT LIMITED TO ANY IMPLIED WARRANTIES OF AND CONDITIONS OF MERCHANTABILITY AND FITNESS FOR A PARTICULAR PURPOSE, ARE LIMITED IN DURATION TO THE WARRANTY PERIOD SET FORTH ABOVE AND NO WARRANTIES, WHETHER EXPRESS OR IMPLIED, WILL APPLY AFTER SUCH PERIOD.

SOME STATES (OR JURISDICTIONS) DO NOT ALLOW LIMITATIONS ON HOW LONG AN IMPLIED WARRANTY LASTS, SO THE PRECEDING LIMITATION MAY NOT APPLY TO YOU.

DELL DOES NOT ACCEPT LIABILITY BEYOND THE REMEDIES SET FORTH IN THIS LIMITED WARRANTY STATEMENT OR LIABILITY FOR INCIDENTAL OR CONSEQUENTIAL DAMAGES, INCLUDING WITHOUT LIMITATION ANY LIABILITY FOR PRODUCTS NOT BEING AVAILABLE FOR USE OR FOR LOST DATA OR SOFTWARE.

SOME STATES (OR JURISDICTIONS) DO NOT ALLOW THE EXCLUSION OR LIMITATION OF INCIDENTAL OR CONSEQUENTIAL DAMAGES, SO THE PRECEDING EXCLUSION OR LIMITATION MAY NOT APPLY TO YOU.

These provisions apply to Dell's three-year limited warranty only. For provisions of any service contract covering your system, refer to your invoice or the separate service contract that you will receive.

If Dell elects to exchange a system or component, the exchange will be made in accordance with Dell's Exchange Policy in effect on the date of the exchange. In any instance in which Dell issues a Return Material Authorization Number, Dell must receive the product(s) for repair prior to the expiration of the warranty period in order for the repair(s) to be covered by the limited warranty.



NOTE: If you chose one of the available warranty and service options in place of the standard three-year limited warranty described in the preceding text, the option you chose will be listed on your invoice.

Three-Year Limited Warranty (Canada Only)

Dell Computer Corporation ("Dell") manufactures its hardware products from parts and components that are new or equivalent to new in accordance with industry-standard practices. Dell warrants that the hardware products it manufactures will be free from defects in materials and workmanship. The warranty term is three years beginning on the date of invoice, as described in the following text.

Damage due to shipping the products to you is covered under this limited warranty. Otherwise, this limited warranty does not cover damage due to external causes, including accident, abuse, misuse, problems with electrical power, servicing not authorized by Dell, usage not in accordance with product instructions, failure to perform required preventive maintenance, and problems caused by use of parts and components not supplied by Dell.

This limited warranty does not cover any items that are in one or more of the following categories: software; external devices (except as specifically noted); accessories or parts added to a Dell system after the system is shipped from Dell; accessories or parts added to a Dell system through Dell's system integration department; accessories or parts that are not installed in the Dell factory; or DellWare products. Monitors, keyboards, and mice that are Dell-branded or that are included on Dell's standard price list are covered under this limited warranty; all other monitors, keyboards, and mice (including those sold through the DellWare program) are not covered. Batteries for portable computers are covered only during the initial one-year period of this limited warranty.

Coverage During Year One

During the one-year period beginning on the invoice date, Dell will repair or replace products covered under this limited warranty that are returned to Dell's facility. To request warranty service, you must call Dell's Customer Technical Support within the warranty period. Refer to the chapter titled "Getting Help" in your system's troubleshooting documentation or, for some systems, the section titled "Contacting Dell" in your system's online guide to find the appropriate telephone number for obtaining customer assistance. If warranty service is required, Dell will issue a Return Material Authorization Number. You must ship the products back to Dell in their original or equivalent packaging, prepay shipping charges, and insure the shipment or accept the risk of loss or damage during shipment. Dell will ship the repaired or replacement

products to you freight prepaid if you use an address in Canada, where applicable. Shipments to other locations will be made freight collect.



NOTE: Before you ship the product(s) to Dell, back up the data on the hard-disk drive(s) and any other storage device(s) in the product(s). Remove any removable media, such as diskettes, CDs, or PC Cards. Dell does not accept liability for lost data or software.

Dell owns all parts removed from repaired products. Dell uses new and reconditioned parts made by various manufacturers in performing warranty repairs and building replacement products. If Dell repairs or replaces a product, its warranty term is not extended.

Coverage During Years Two and Three

During the second and third years of this limited warranty, Dell will provide, on an exchange basis and subject to Dell's Exchange Policy in effect on the date of the exchange, replacement parts for the Dell hardware product(s) covered under this limited warranty when a part requires replacement. You must report each instance of hardware failure to Dell's Customer Technical Support in advance to obtain Dell's concurrence that a part should be replaced and to have Dell ship the replacement part. Dell will ship parts (freight prepaid) if you use an address in Canada, where applicable. Shipments to other locations will be made freight collect. Dell will include a prepaid shipping container with each replacement part for your use in returning the replaced part to Dell. Replacement parts are new or reconditioned. Dell may provide replacement parts made by various manufacturers when supplying parts to you. The warranty term for a replacement part is the remainder of the limited warranty term.

You will pay Dell for replacement parts if the replaced part is not returned to Dell. The process for returning replaced parts, and your obligation to pay for replacement parts if you do not return the replaced parts to Dell, will be in accordance with Dell's Exchange Policy in effect on the date of the exchange.

You accept full responsibility for your software and data. Dell is not required to advise or remind you of appropriate backup and other procedures.

General Provisions

DELL MAKES NO EXPRESS WARRANTIES OR CONDITIONS BEYOND THOSE STATED IN THIS LIMITED WARRANTY STATEMENT. DELL DISCLAIMS ALL OTHER WARRANTIES AND CONDITIONS, EXPRESS OR IMPLIED, INCLUDING WITHOUT LIMITATION IMPLIED WARRANTIES AND CONDITIONS OF MERCHANTABILITY AND FITNESS FOR A PARTICULAR PURPOSE. SOME STATES (OR JURISDICTIONS) DO NOT ALLOW LIMITATIONS ON IMPLIED WARRANTIES OR CONDITIONS, SO THIS LIMITATION MAY NOT APPLY TO YOU.

DELL'S RESPONSIBILITY FOR MALFUNCTIONS AND DEFECTS IN HARDWARE IS LIMITED TO REPAIR AND REPLACEMENT AS SET FORTH IN THIS LIMITED WARRANTY STATEMENT. THESE WARRANTIES GIVE YOU SPECIFIC LEGAL RIGHTS, AND YOU MAY ALSO HAVE OTHER RIGHTS, WHICH VARY FROM STATE TO STATE (OR JURISDICTION TO JURISDICTION).

DELL DOES NOT ACCEPT LIABILITY BEYOND THE REMEDIES SET FORTH IN THIS LIMITED WARRANTY STATEMENT OR LIABILITY FOR INCIDENTAL OR CONSEQUENTIAL DAMAGES, INCLUDING WITHOUT LIMITATION ANY LIABILITY FOR PRODUCTS NOT BEING AVAILABLE FOR USE OR FOR LOST DATA OR SOFTWARE.

SOME STATES (OR JURISDICTIONS) DO NOT ALLOW THE EXCLUSION OR LIMITATION OF INCIDENTAL OR CONSEQUENTIAL DAMAGES, SO THE PRECEDING EXCLUSION OR LIMITATION MAY NOT APPLY TO YOU.

These provisions apply to Dell's three-year limited warranty only. For provisions of any service contract covering your system, refer to your invoice or the separate service contract that you will receive.

If Dell elects to exchange a system or component, the exchange will be made in accordance with Dell's Exchange Policy in effect on the date of the exchange. In any instance in which Dell issues a Return Material Authorization Number, Dell must receive the product(s) for repair prior to the expiration of the warranty period in order for the repair(s) to be covered by the limited warranty.



NOTE: If you chose one of the available warranty and service options in place of the standard three-year limited warranty described in the preceding text, the option you chose will be listed on your invoice.

“Total Satisfaction” Return Policy (U.S. and Canada Only)

If you are an end-user customer who bought new products directly from a Dell company, you may return them to Dell within 30 days of the date of invoice for a refund or credit of the product purchase price. If you are an end-user customer who bought reconditioned or refurbished products from a Dell company, you may return them to Dell within 14 days of the date of invoice for a refund or credit of the product purchase price. In either case, the refund or credit will not include any shipping and handling charges shown on your invoice. If you are an organization that bought the products under a written agreement with Dell, the agreement may contain different terms for the return of products than specified by this policy.

To return products, you must call Dell Customer Service to receive a Credit Return Authorization Number. Refer to Chapter 5, “Getting Help,” or the section titled “Contacting Dell” in your system *Help* to find the appropriate telephone number for obtaining customer assistance. To expedite the processing of your refund or credit, Dell expects you to return the products to Dell in their original packaging within five days of the date that Dell issues the Credit Return Authorization Number. You must also prepay shipping charges and insure the shipment or accept the risk of loss or damage during shipment. You may return software for refund or credit only if the sealed package containing the diskette(s) or CD(s) is unopened. Returned products must be in as-new condition, and all of the manuals, diskette(s), CD(s), power cables, and other items included with a product must be returned with it. For customers who want to return, for refund or credit only, either applications software or an operating system that has been installed by Dell, the whole system must be returned, along with any media and documentation that may have been included in the original shipment.

This "Total Satisfaction" Return Policy does not apply to DellWare products, which may be returned under DellWare's then-current return policy. In addition, reconditioned parts purchased through Dell Spare Parts Sales in Canada are nonreturnable.

Dell™ Inspiron™

GUIDE D'UTILISATION DU RÉPLICATEUR DE PORT AVANCÉ

Remarques, avis et précautions

Dans ce guide, certains blocs de texte sont accompagnés d'une icône et imprimés en caractères gras ou italiques. Ces paragraphes correspondent à des remarques, des avis et des précautions qui sont utilisés comme suit :



REMARQUE : Une REMARQUE fournit des informations importantes qui vous aident à mieux utiliser votre système.

AVIS : Un AVIS vous avertit d'un risque de dommage matériel ou de perte de données et vous indique comment éviter le problème.



PRÉCAUTION : Une PRÉCAUTION indique une situation potentiellement dangereuse qui, en cas de négligence, peut entraîner des dommages corporels mineurs ou moyens.

Les informations contenues dans ce document sont sujettes à modifications sans préavis.

© 1999-2000 Dell Computer Corporation. Tous droits réservés.

Toute reproduction sous quelque forme que ce soit sans l'autorisation écrite de Dell Computer Corporation est strictement interdite.

Marques utilisées dans ce document : *Dell*, le logo *DELL*, *BE DIRECT*, *Inspiron* et *DellWare* sont des marques de Dell Computer Corporation ; *Microsoft*, *Windows* et *Windows NT* sont des marques déposées de Microsoft Corporation ; *3Com* est une marque déposée de 3Com Corporation.

D'autres marques et noms commerciaux peuvent être utilisés dans ce document pour faire référence à des entités se réclamant de ces marques et de ces noms ou à leurs produits. Dell Computer Corporation exclut tout intérêt propriétaire dans les marques et les noms commerciaux autres que les siens.

Février 2000 Réf. 8498T Rév. A02



Table des matières

Connecteurs d'E/S de l'APR	2-1
Boutons de réglage et voyants de l'APR	2-3
Connexion de périphériques externes à l'APR	2-4
Connexion de l'ordinateur à l'APR	2-4
Amarrage de l'ordinateur	2-5
Débranchement de l'ordinateur	2-6
Support de moniteur	2-8
Consignes de sécurité	2-9
Caractéristiques techniques	2-11
Réglementations	2-12
Réglementation FCC (États-Unis seulement)	2-14
Classe A	2-14
Classe B	2-14
Réglementation IC (Canada seulement)	2-15
Réglementation CE (Union Européenne)	2-16
Conformité EN 55022 (République tchèque seulement)	2-16
Réglementation VCCI (Japon seulement)	2-17
Classe A ITE	2-17
Classe B ITE	2-18
Réglementation MOC (Corée du Sud uniquement)	2-18
Appareil de classe A	2-19
Appareil de classe B	2-19
Avis du Centre polonais de test et d'agrément	2-20
Wymagania Polskiego Centrum Badań i Certyfikacji	2-20
Pozostałe instrukcje bezpieczeŃstwa	2-20
Informations sur la norme NOM (Mexique seulement)	2-21
Información para NOM (únicamente para México)	2-22
Garantie et règle de retour	2-23
Garantie limitée de trois ans (États-Unis seulement)	2-23

Garantie pendant la première année	2-23
Garantie pendant la deuxième et la troisième année	2-24
Conditions générales	2-24
Garantie limitée de trois ans (Canada seulement)	2-25
Garantie pendant la première année	2-26
Garantie pendant la deuxième et la troisième année	2-26
Conditions générales	2-27
Règle de renvoi « Satisfait ou remboursé » (États-Unis et Canada seulement)	2-28

Figures

Figure 2-1. connecteurs d'E/S situés à l'arrière de l'APR	2-2
Figure 2-2. Connecteur de ligne de sortie audio	2-3
Figure 2-3. Boutons de réglage et voyants	2-3
Figure 2-4. Amarrage de l'ordinateur	2-6
Figure 2-5. Débranchement de l'ordinateur	2-7
Figure 2-6. APR avec support de moniteur	2-8
Figure 2-7. Marque réglementée ITE - Classe A VCCI	2-17
Figure 2-8. Marque réglementée ITE - Classe B VCCI	2-18
Figure 2-9. Marque réglementaire MOC de classe A	2-19
Figure 2-10. Marque réglementaire MOC de classe B	2-19

Tables

Tableau 2-1. Connecteurs d'E/S externes	2-2
Tableau 2-2. Spécifications techniques	2-11



Guide d'utilisation du réplicateur de port avancé Dell™ Inspiron™

Le réplicateur de port avancé (APR) permet d'intégrer votre ordinateur rapidement et facilement dans un environnement de bureau. Utilisez les instructions fournies dans ce document pour connecter des périphériques externes ainsi que votre ordinateur à l'APR.



REMARQUE : Si vous avez reçu une disquette de mise à niveau du BIOS (Basic Input/Output System [Système d'entrée/sortie de base]) avec votre APR, utilisez-la pour mettre à niveau le BIOS de votre ordinateur avant de connecter ce dernier à l'APR. Pour les instructions, consultez la documentation livrée avec la disquette de mise à niveau du BIOS.

AVIS : N'essayez pas de soulever l'ordinateur lorsqu'il est amarré à l'APR. Vous risqueriez d'endommager le connecteur d'amarrage. Reportez-vous à la section « Débranchement de l'ordinateur », plus loin dans ce guide, pour des instructions.

Connecteurs d'E/S de l'APR

Les connecteurs d'E/S (entrée/sortie) situés à l'arrière et sur le côté de l'APR (voir les figures 2-1 et 2-2) dupliquent les connecteurs principaux à l'arrière et sur le côté de votre ordinateur.

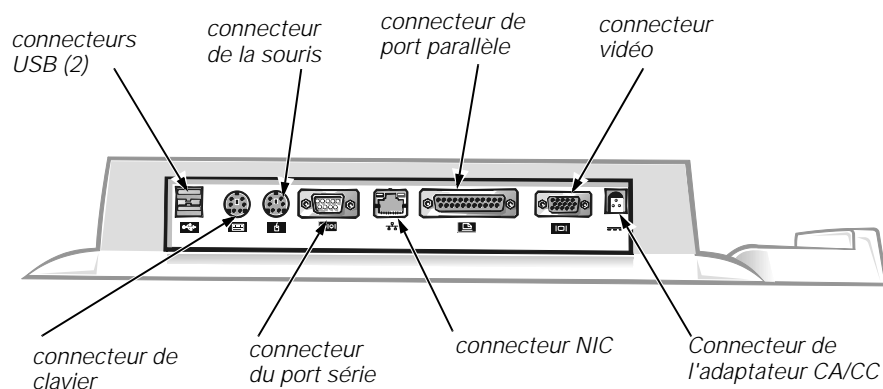


Figure 2-1. connecteurs d'E/S situés à l'arrière de l'APR

Le tableau 2-1 présente les icônes de chaque connecteur situé à l'arrière de l'APR et indique le type de périphériques externes pouvant être branchés à chaque connecteur.

Tableau 2-1. Connecteurs d'E/S externes

Icône représentant le connecteur	Description du connecteur
	Un ou deux périphériques USB, par exemple une souris USB, peuvent se connecter aux connecteurs USB doubles.
	Un clavier externe de style PS/2 ou un pavé numérique externe peut se connecter au connecteur de clavier.
	Une souris externe compatible PS/2 peut se connecter au connecteur de souris PS/2.
	Un périphérique série, par exemple une souris série ou un modem externe, peut se connecter au connecteur du port série.
	Un câble d'interface réseau peut se connecter au connecteur NIC.
	Un périphérique parallèle, par exemple une imprimante, peut se connecter au connecteur du port parallèle.
	Un moniteur externe peut se connecter au connecteur vidéo.
	L'adaptateur de CA livré avec l'APR peut se connecter au connecteur d'adaptateur de CA.

REMARQUE : Pour connaître le nom complet correspondant à une abréviation ou un acronyme utilisé dans ce tableau, reportez-vous au glossaire de l'Aide.

Le connecteur de ligne de sortie audio est situé sur le côté de l'APR (voir la figure 2-2).

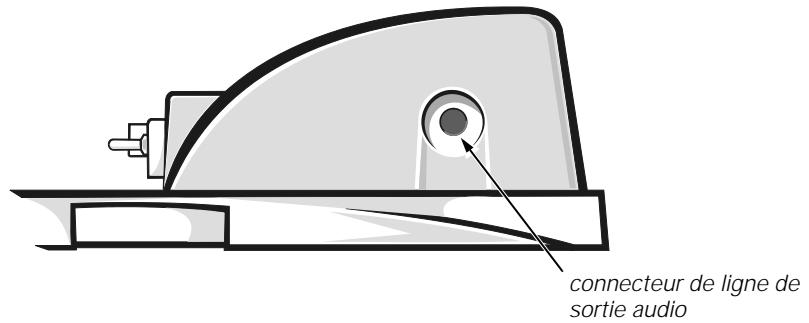


Figure 2-2. Connecteur de ligne de sortie audio

Boutons de réglage et voyants de l'APR

Les boutons de réglage et voyants de l'APR sont représentés à la figure 2-3.

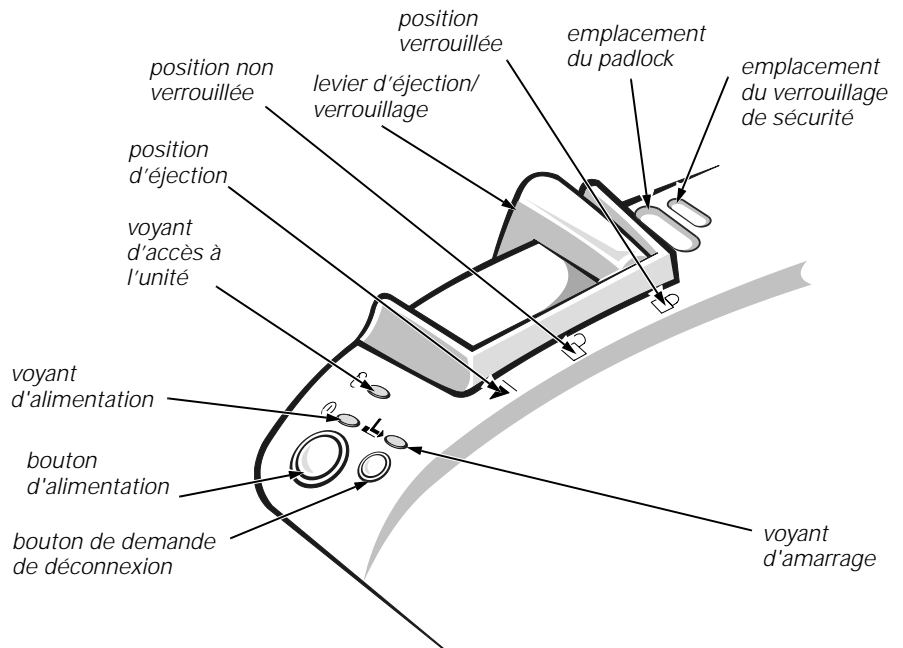


Figure 2-3. Boutons de réglage et voyants

Connexion de périphériques externes à l'APR

Pour connecter des périphériques série à l'APR, suivez les étapes ci-après :

1. Reportez-vous à la figure 2-1 pour connecter des périphériques externes aux connecteurs appropriés à l'arrière de l'APR.



REMARQUE : Si le connecteur du câble du périphérique externe possède des écrous, veillez à bien les serrer pour assurer une connexion correcte.

Pour des informations détaillées sur l'utilisation des périphériques externes avec votre ordinateur, reportez-vous à la rubrique « Connexion de périphériques externes » de l'Aide.

2. Le cas échéant, branchez les périphériques externes à une prise électrique.

Connexion de l'ordinateur à l'APR

Vous devez connecter un adaptateur de CA à l'APR avant d'amarrer et d'allumer l'ordinateur. L'adaptateur de CA alimente l'APR et l'ordinateur en même temps. Toute batterie installée dans l'ordinateur est rechargée pendant l'utilisation de l'APR.

AVIS : Utilisez exclusivement l'adaptateur de CA Dell livré avec l'APR. (Recherchez le numéro de modèle PA-6 situé sous l'adaptateur.) Si vous utilisez tout autre adaptateur de CA du commerce — ou l'adaptateur de CA de modèles d'ordinateurs Dell antérieurs — vous risquez d'endommager l'APR ou l'ordinateur.

Avant la première connexion de l'ordinateur à l'APR, le système d'exploitation doit avoir achevé son processus d'installation. Pour vérifier que c'est bien le cas, suivez les étapes ci-après :

1. Assurez-vous que l'ordinateur n'est pas amarré à l'APR.
2. Mettez l'ordinateur sous tension.
3. Vérifiez que le système d'exploitation de votre ordinateur a terminé le processus d'installation. Pour savoir comment procéder, consultez le *Guide d'installation* livré avec votre ordinateur.
4. Éteignez l'ordinateur.

Vous pouvez à présent connecter votre ordinateur à l'APR comme décrit dans la sous-section suivante, « Amarrage de l'ordinateur ».

Amarrage de l'ordinateur

Pour connecter (ou *amarre*) votre ordinateur à l'APR, suivez les étapes ci-après :

1. Vérifiez que le système d'exploitation a terminé le processus d'installation. Pour savoir comment procéder, consultez le *Guide d'installation* livré avec votre ordinateur.
2. Enregistrez et fermez tout fichier ouvert, quittez tous les programmes d'application ouverts, puis éteignez l'ordinateur.
3. Si vous ne l'avez pas encore fait, connectez l'adaptateur de CA au connecteur de l'APR (voir la figure 2-1), puis branchez le câble d'alimentation en CA à une source d'alimentation électrique.
4. Centrez l'ordinateur horizontalement sur la plate-forme de l'APR, l'arrière de l'ordinateur faisant face au connecteur d'amarrage de l'APR, comme le montre la figure 2-4.
5. Faites glisser l'ordinateur vers le connecteur jusqu'à ce que vous sentiez que les rainures au bas de l'ordinateur s'engagent dans les rails d'alignement.

AVIS : Si vous tentez de pousser l'ordinateur dans l'APR sans engager les rails d'alignement, vous risquez d'endommager le connecteur d'amarrage sur l'ordinateur de manière irréversible.



REMARQUE : Si un support de moniteur est installé, vous ne pourrez plus voir les rails d'alignement ou le connecteur d'amarrage.

6. Poussez délicatement l'ordinateur vers l'avant jusqu'à ce que le connecteur d'amarrage soit complètement inséré.

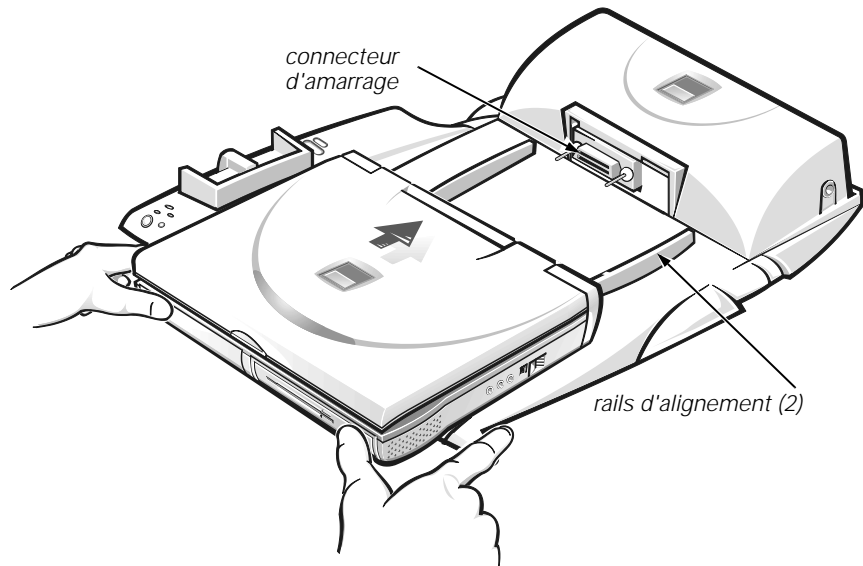


Figure 2-4. Amarrage de l'ordinateur

Débranchement de l'ordinateur

Procédez comme suit pour déconnecter l'ordinateur de l'APR :

1. Enregistrez et fermez tout fichier ouvert, puis quittez tous les programmes d'application ouverts.

AVIS : Si l'ordinateur n'a pas de batterie chargée, il s'éteint lorsque vous le débranchez de l'APR, entraînant la perte de toutes les données non enregistrées.

AVIS : Ne déconnectez jamais l'ordinateur de l'APR sans une préparation préalable de l'ordinateur. Utilisez l'une des trois méthodes suivantes pour préparer le système d'exploitation, le réseau et les périphériques de stockage à la déconnexion à la fin des transferts de données. Si vous déconnectez l'ordinateur avant la fin de ces transferts, vous perdrez des données et l'ordinateur risque de ne pas pouvoir reprendre un fonctionnement normal avant plusieurs minutes, s'il y parvient.

2. Pour préparer l'ordinateur à la déconnexion, suivez l'une des procédures suivantes :
 - Appuyez sur <Fn ><Échap> sur le clavier de l'ordinateur (ou sur <Scroll Lock (Arrêt défil) ><Échap> sur un clavier externe).Après quelques secondes, le voyant d'alimentation de l'ordinateur s'éteint.

- Si vous utilisez le système d'exploitation Microsoft® Windows® 98 ou Windows 2000, cliquez sur le bouton **Start (Démarrer)**, puis sur **Eject PC (éjecter PC)**. Si vous utilisez le système d'exploitation Windows NT®, cliquez sur l'icône d'amarrage, puis sur **Undock (débrancher)** pour placer l'ordinateur en mode attente.

Après quelques secondes, le voyant d'alimentation de l'ordinateur s'éteint.



- Appuyez sur le bouton de demande de déconnexion situé sur l'APR (voir la figure 2-5).

Le voyant vert d'amarrage s'éteint.

3. Faites glisser le levier d'éjection/verrouillage situé sur le côté gauche de l'APR (voir figure 2-5) vers la position d'éjection pour débrancher l'ordinateur.

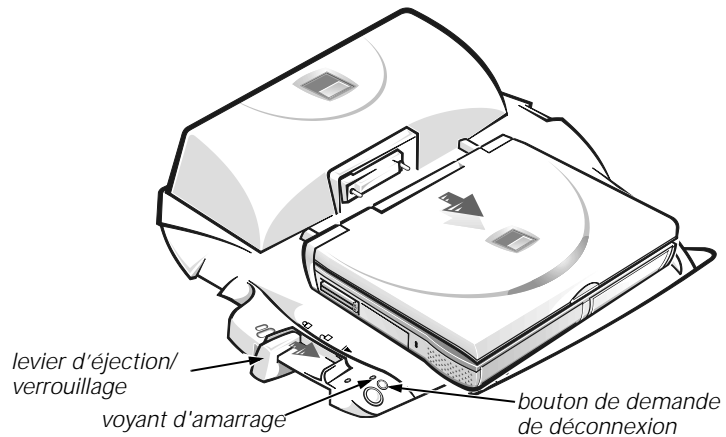


Figure 2-5. Débranchement de l'ordinateur

Support de moniteur

L'installation du support du moniteur est représenté à la figure 2-6.

AVIS : Le support est adapté à des moniteurs dont le poids peut atteindre 45,3 kilogrammes (kg). Des moniteurs plus lourds risquent d'endommager le support, l'ordinateur et l'APR.

REMARQUE : Assurez-vous que les pieds arrière du moniteur sont engagés dans les emplacements prévus de chaque côté de la base de contrôle d'amarrage.

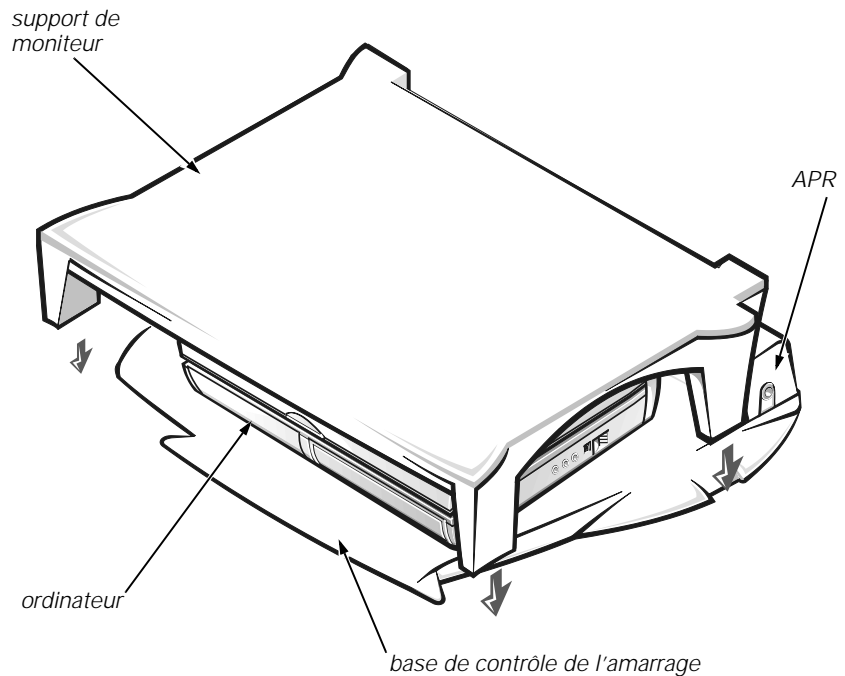


Figure 2-6. APR avec support de moniteur

Consignes de sécurité

Utilisez les consignes de sécurité suivantes pour vous aider à protéger votre APR de dommages éventuels et pour garantir votre sécurité personnelle :

- N'essayez pas de réparer l'APR vous-même. Suivez toujours de près les instructions d'installation.
- Assurez-vous que rien ne repose sur le câble d'alimentation de l'adaptateur de CA.
- Vérifiez que le câble n'est pas placé dans un endroit où l'on pourrait marcher ou trébucher dessus.
- L'adaptateur de CA doit se trouver dans une zone aérée, par exemple, sur un bureau ou sur le sol, lorsqu'il est utilisé pour alimenter l'APR. N'utilisez pas l'adaptateur de CA à l'intérieur d'une sacoche de transport.
- N'utilisez pas votre APR dans un environnement exposé à l'eau, par exemple, près d'une baignoire, d'un évier, d'une piscine ou dans un sous-sol humide.
- N'insérez pas d'objets dans les ouïes d'aération ou par les ouvertures de votre APR. Ceci peut créer un incendie ou des chocs électriques en mettant des composants internes en court-circuit.
- Utilisez uniquement l'adaptateur de CA conçu pour être utilisé avec cet APR, comme le précise ce guide. Le recours à un autre type d'adaptateur de CA présente un risque d'incendie ou d'explosion.
- Avant de raccorder l'APR à une source d'alimentation, assurez-vous que la tension du secteur est compatible avec la tension d'entrée de l'adaptateur de CA :
 - 115 volts (V)/60 hertz (Hz) dans presque toute l'Amérique du Nord et du Sud et dans certains pays d'Extrême-Orient comme la Corée du Sud et Taiwan
 - 100 V/50 Hz dans l'est du Japon et 100 V/60 Hz dans l'ouest du Japon
 - 230 V/50 Hz dans presque toute l'Europe, le Moyen-Orient et l'Extrême-Orient
- Pour éviter un choc électrique, branchez l'adaptateur de CA et les câbles d'alimentation électrique de l'ordinateur et de ses périphériques dans des prises possédant un circuit de mise à la terre adéquat. Ces câbles électriques sont équipés de connecteurs à trois broches pour assurer une mise à la terre correcte. N'utilisez pas de prises d'adaptation et n'essayez pas de contourner la mise à la terre. Si vous devez utiliser une rallonge, utilisez une rallonge à trois fils avec des prises de terre.
- Si vous raccordez une rallonge à votre adaptateur de CA, assurez-vous que l'intensité totale du courant drainé par tous les appareils raccordés à cette rallonge ne dépasse pas la limite de cette dernière.
- Pour mettre l'APR totalement hors tension, éteignez l'ordinateur et débranchez l'adaptateur de CA de la prise de courant.

- Pour réduire le danger lié à un choc électrique, n'effectuez aucun branchement ou débranchement pendant un orage électrique, ni aucune opération de maintenance ou de reconfiguration de ce produit.
- Lorsque vous installez l'APR pour travailler, placez-le sur une surface plane.
- Protégez l'APR des dangers que représentent la saleté, la poussière, la nourriture, les liquides, des températures extrêmes ou une surexposition au soleil.
- Lorsque vous faites passer votre APR d'un environnement à un autre de température ou d'humidité très différentes, de la condensation peut se former sur l'ordinateur ou à l'intérieur de celui-ci. Pour éviter d'endommager l'APR, patientez suffisamment pour que cette humidité s'évapore avant d'utiliser l'ordinateur.

AVIS : Lorsque vous faites passer l'APR d'un milieu à basse température à un milieu plus chaud, ou vice versa, laissez l'APR s'acclimater à la température ambiante avant de l'allumer.

- Quand vous débranchez un câble, tirez sur la prise ou sur la boucle prévue à cet effet, jamais sur le câble lui-même. Quand vous séparez des connecteurs, conservez-les alignés de manière à éviter de tordre leurs broches. De même, quand vous connectez un câble, assurez-vous au préalable que les connecteurs sont bien orientés et alignés.
- Avant de nettoyer votre APR, éteignez-le et déconnectez-le de la source d'alimentation électrique.
- Nettoyez votre APR à l'aide d'un chiffon doux humidifié à l'eau plutôt qu'avec un nettoyant liquide ou un aérosol.
- Si votre APR est mouillé ou endommagé, suivez les procédures fournies au chapitre 3, « Dépannage », du *Guide de référence et de dépannage*. Si, après avoir suivi ces procédures, vous vous rendez compte que votre APR ne fonctionne toujours pas correctement, contactez Dell Computer Corporation. (Reportez-vous au chapitre 5, « Aide et assistance », du *Guide de référence et de dépannage* pour connaître le numéro à appeler.)

Caractéristiques techniques

Le tableau 2-2 répertorie les spécifications techniques de l'APR.

Tableau 2-2. Spécifications techniques

Caractéristiques physiques	
Hauteur :	
Avec support de moniteur	10,2 cm
Seul	5,8 cm
Profondeur :	
Avec support de moniteur	39,0 cm
Seul	35,8 cm
Largeur :	
Avec support de moniteur	37,5 cm
Seul	40,9 cm
Poids :	
Avec support de moniteur	3,0 kg
autonome	1,6 kg
Connecteurs d'E/S	
Série (DTE)	connecteur à 9 broches
Parallèle	connecteur à 25 trous
clavier/pavé numérique de style PS/2	connecteur de clavier externe à 6 trous
souris compatible PS/2	connecteur de souris PS/2 à 6 trous
Vidéo	Connecteur à 15 trous
Audio	sortie haut-parleur (pour casques en option)
USB (double)	deux connecteurs à 4 broches
DC-IN (CC entrée)	un connecteur
connecteur d'amarrage	Connecteur à 240 broches
NIC	connecteur RJ-45

REMARQUE : Pour connaître le nom complet correspondant à une abréviation ou un acronyme utilisé dans ce tableau, reportez-vous au glossaire de l' Aide.

Tableau 2-2. Spécifications techniques (suite)

Ethernet Network Controller (contrôleur de réseau Ethernet)	
Jeu de puces	3Com® 3C920 ; 10/100 BASE-TX(compatible PC98)
Largeur du bus de données	interface de bus hôte PCI 32 bits
IRQ	IRQ10
Alimentation	
Tension	nécessite 20 Vcc d'un adaptateur de CA
ampérage	3,5 A

REMARQUE : Pour connaître le nom complet correspondant à une abréviation ou un acronyme utilisé dans ce tableau, reportez-vous au glossaire de l' Aide.

Réglementations

Les interférences électromagnétiques constituent des signaux ou émissions, dans un espace libre ou conduits par les câbles d'alimentation ou de signal, qui menacent le fonctionnement de la radionavigation, des services de sécurité ou qui dégradent sérieusement, obstruent ou interrompent régulièrement les services autorisés de communications radio. Les services de communications radio comprennent, entre autres, les diffusions commerciales AM/FM, la télévision, les services cellulaires, les systèmes de radar et de contrôle aérien, les pagers, et les Services de communications personnelles (PCS, Personal Communication Services). Ces services autorisés, tout comme des perturbateurs involontaires tels que des périphériques numériques, y compris les systèmes informatiques, contribuent à l'environnement électromagnétique.

La compatibilité électromagnétique (EMC, *Electromagnetic Compatibility*) est la possibilité pour ces éléments d'équipement électronique de fonctionner ensemble correctement dans l'environnement électronique. Bien que ce système informatique ait été conçu pour être conforme aux limites de l'instance réglementaire des EMI, il n'y a aucune garantie concernant les interférences pouvant survenir dans une installation particulière. Si l'équipement crée des interférences dans les services de communications radio, ce qui peut être déterminé en l'allumant et l'éteignant, vous êtes encouragé à essayer de corriger les interférences en prenant une ou plusieurs des mesures suivantes :

- Changez l'orientation de l'antenne de réception.
- Changez la position de l'ordinateur par rapport au récepteur.
- Éloignez l'ordinateur du récepteur.
- Branchez l'ordinateur à une source d'alimentation différente de manière à ce que l'ordinateur et le récepteur soient sur des circuits de branchement différents.

Si nécessaire, consultez un agent du support technique de Dell Computer Corporation ou un technicien expérimenté en radio/télévision pour des suggestions supplémentaires. Vous pouvez consulter le *FCC Interference Handbook, 1986 (Guide des Interférences FCC, 1986)*, pour vous aider. Il est disponible auprès du U.S. Government Printing Office, Washington, DC 20402, Stock No. 004-000-00450-7 ou sur le site Internet : <http://www.fcc.gov/Bureaus/Compliance/WWW/tvibook.html>.

Les systèmes informatiques Dell sont conçus, testés et classés selon l'environnement électromagnétique auquel ils sont destinés. Ces classifications de l'environnement électromagnétique font généralement référence aux définitions suivantes :

- La classe A concerne en général les environnements industriels ou commerciaux.
- La classe B concerne en général les environnements résidentiels.

Les Équipements de technologie de l'information (Information Technology Equipment, ITE), y compris les périphériques, les cartes d'extension, les imprimantes, les périphériques d'entrée/sortie (E/S), les moniteurs, etc., qui sont intégrés ou connectés au système doivent correspondre à la classification de l'environnement électromagnétique du système informatique.

Remarque sur les câbles de signal blindés : Afin de réduire la possibilité d'interférence avec les services de communications radio et télévision, n'utilisez que des câbles blindés pour connecter les périphériques aux dispositifs Dell. L'utilisation de câbles blindés permet de garantir que vous gardez la classification ECM appropriée pour l'environnement donné. Pour les imprimantes parallèles, un câble approprié peut être obtenu auprès de Dell Computer Corporation. Si vous préférez, vous pouvez commander un câble auprès de Dell Computer Corporation sur le site Internet : <http://www.dell.com/products/dellware/index.htm>.

Note sur les ordinateurs en réseau : Certains ordinateurs Dell répertoriés dans la classe B peuvent comprendre une carte contrôleur de réseau (NIC). Si votre ordinateur de classe B contient une NIC, il peut être considéré comme un système de classe A au moment où la carte NIC est raccordée à un réseau. Lorsque la carte n'est pas raccordée à un réseau, votre ordinateur est considéré comme un appareil numérique de classe B.

La plupart des systèmes informatiques Dell sont conçus pour les environnements de la classe B. Pour déterminer une classification électromagnétique pour votre système ou périphérique, consultez les sections suivantes spécifiques de chaque instance réglementaire. Chaque section fournit les spécifications EMC/EMI d'un pays ou des consignes de sécurité concernant un produit.

Réglementation FCC (États-Unis seulement)

La plupart des systèmes informatiques Dell sont classés par la Commission fédérale des communications (FCC, *Federal Communications Commission*) comme appareils numériques de classe B. Cependant, l'inclusion de certaines options peut provoquer le passage de certaines configurations en classe A. Pour déterminer la classe s'appliquant à votre système informatique, examinez toutes les étiquettes d'enregistrement FCC sur le dessous ou au dos de votre ordinateur, sur les supports de montage de carte et sur les cartes proprement dites. Si une des étiquettes indique la classe A, tout votre système est considéré comme étant un appareil numérique de classe A. Si *toutes* les étiquettes ont un numéro d'identification de classe B ou le logo FCC, (**FC**), votre système est considéré comme étant un appareil numérique de classe B.

Une fois la classification FCC de votre système déterminée, lisez la réglementation FCC appropriée. Notez que la réglementation FCC implique que les changements et modifications non explicitement approuvés par Dell Computer Corporation peuvent annuler votre droit d'utilisation de l'équipement.

Cet appareil est conforme à l'alinéa 15 du règlement de la FCC. Son utilisation est soumise aux deux conditions suivantes :

- Cet appareil ne doit pas créer d'interférences nocives.
- Cet appareil doit accepter toutes les interférences qu'il reçoit, y compris celles qui peuvent gêner son fonctionnement.

Classe A

Cet équipement a été testé et déclaré conforme aux limites des appareils numériques de classe A définies par l'alinéa 15 du règlement de la FCC. Ces limites sont conçues pour fournir une protection raisonnable contre les interférences nocives lorsque l'équipement est utilisé dans un environnement commercial. Cet équipement crée, utilise et peut émettre de l'énergie radiofréquence et peut, s'il n'est pas installé et utilisé suivant le manuel d'instructions du fabricant, être la cause d'interférences nocives sur les communications radio. L'utilisation de cet équipement dans une zone résidentielle peut créer des interférences nocives, auquel cas vous devrez corriger les interférences à vos propres frais.

Classe B

Cet équipement a été testé et déclaré conforme aux limites des appareils numériques de classe B définies par l'alinéa 15 du règlement de la FCC. Ces limites sont conçues pour fournir une protection raisonnable contre les interférences nocives lorsque l'équipement est utilisé dans un environnement résidentiel. Cet équipement génère, utilise et peut émettre de l'énergie radiofréquence et peut, s'il n'est pas installé et utilisé suivant le manuel d'instructions du fabricant, être la cause d'interférences nocives sur les communications radio. Il n'y a cependant aucune garantie concernant les interférences pouvant se produire sur une installation particulière. Si l'équipement crée des interférences nocives pour la réception radio et télévision, ce qui peut être déterminé en allumant et en éteignant cet équipement, vous êtes encouragé à essayer de corriger les interférences en prenant une ou plusieurs des mesures suivantes :

- Changez l'orientation ou la position de l'antenne de réception.
- Augmentez la distance entre l'équipement et le récepteur.
- Connectez l'équipement à une source d'alimentation sur un circuit différent de celui sur lequel est connecté le récepteur.
- Consultez le vendeur ou un technicien expérimenté en radio/télévision, pour obtenir une assistance.

Les informations suivantes sont fournies en conformité avec la réglementation de la FCC :

- Numéro de modèle : PRX
- Nom du fabricant : Service Ingénierie
EMC de Dell Computer Corporation,
One Dell Way
Round Rock, Texas 78682 USA
512-338-4400

Réglementation IC (Canada seulement)

La plupart des systèmes informatiques Dell (et autres appareils numériques Dell) sont classés par la norme Industry Canada (IC) Interference-Causing Equipment Standard (norme sur les équipements produisant des interférences) #3 (ICES-003) comme appareils numériques de classe B. Pour déterminer quelle classification s'applique (classe A ou B) à votre système informatique (ou aux autres dispositifs numériques), examinez toutes les étiquettes d'enregistrement situées sur le dessous ou au dos de votre ordinateur (ou des autres appareils numériques). Une déclaration sous la forme « IC Class A ICES-003 » ou « IC Class B ICES-003 » doit figurer sur l'une de ces étiquettes. Notez que la réglementation Industry Canada précise que tout changement ou modification non expressément approuvé par Dell Computer Corporation peut annuler vos droits d'utilisation de cet équipement.

Cet appareil numérique de classe B (ou de classe A, selon l'indication de l'étiquette d'enregistrement) répond aux normes Canadian Interference-Causing Equipment Regulations (normes sur les équipements produisant des interférences).

Cet appareil numérique de classe B (ou de classe A, selon l'indication de l'étiquette d'enregistrement) respecte toutes les exigences de la Réglementation sur le Matériel Brouilleur du Canada.

Réglementation CE (Union Européenne)

Le symbole **CE** indique la conformité de ce système Dell aux directives EMC (compatibilité électromagnétique) de la Communauté Européenne. Un tel symbole indique que ce système Dell respecte les normes techniques suivantes :

- EN 55022 — « Limits and Methods of Measurement of Radio Interference Characteristics of Information Technology Equipment (Limites et méthodes de mesure des caractéristiques d'interférence radio des équipements de technologie de l'information) ».
- EN 50082-1 : 1992 — « Electromagnetic compatibility—Generic immunity standard Part 1 : Residential, commercial, and light industry » (« Compatibilité électromagnétique — norme d'immunité générique, 1ère partie : résidentiel, commercial et petite industrie »).
- EN 60950 — « Safety of Information Technology Equipment » (« Protection des équipements de technologie de l'information »).



REMARQUE : Les exigences des émissions EN 55022 mènent à deux classifications :

- *La classe A concerne les zones commerciales normales.*
- *La classe B concerne les zones domestiques normales.*

Cet appareil Dell est conçu pour l'environnement domestique normal de la classe B.

Une « Déclaration de Conformité » aux normes ci-dessus a été établie et est conservée chez Dell Products Europe BV, à Limerick, en Irlande.

Conformité EN 55022 (République tchèque seulement)

Cet appareil appartient à la classe B comme décrit dans la norme EN 55022, à moins qu'il ne soit spécifié sur l'étiquette d'enregistrement qu'il est de classe A. Ce qui suit s'applique aux appareils de classe A (norme EN 55022 [rayon de protection égal ou inférieur à 30 mètres]). L'utilisateur de l'appareil doit prendre toutes les mesures nécessaires pour retirer les sources d'interférences des télécommunications ou d'autres périphériques.

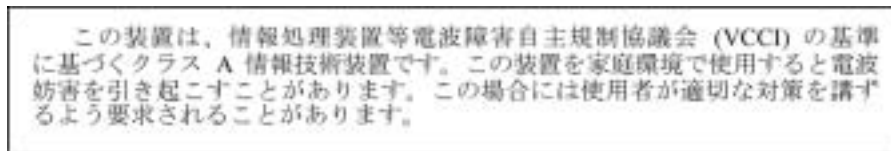
Pokud není na typovém štítku počítače uvedeno, že spadá do třídy A podle EN 55022, spadá automaticky do třídy B podle EN 55022. Pro zařízení zařazená do třídy A (ochranné pásmo 30m) podle EN 55022 platí následující. Dojde-li k rušení telekomunikačních nebo jiných zařízení, je uživatel povinen provést taková opatření, aby rušení odstranil.

Réglementation VCCI (Japon seulement)

La plupart des systèmes informatiques Dell sont classés par le Conseil de contrôle volontaire des interférences (VCCI, *Voluntary Control Council for Interference*) dans la classe B des équipements de technologie de l'information (ITE, *Information Technology Equipment*). Cependant, l'introduction de certaines options peut faire passer certaines configurations dans la classe A. Les ITE, y compris les périphériques, les cartes d'extension, les imprimantes, les périphériques d'entrée/sortie (E/S), les moniteurs etc., intégrés ou connectés au système, doivent correspondre à la classification de l'environnement électromagnétique (classe A ou B) du système informatique.

Pour déterminer quelle classification s'applique à votre système informatique, examinez les étiquettes de réglementation/les symboles (voir les figures 2-7 et 2-8) situés sur les panneaux inférieur et arrière de votre ordinateur. Une fois que vous avez déterminé la classification VCCI de votre système, lisez la réglementation VCCI appropriée.

Classe A ITE



Ceci est un produit de classe A selon la norme du Conseil de contrôle volontaire des interférences (Voluntary Control Council for Interference, VCCI) pour les équipements de technologie de l'information. Si cet appareil est utilisé dans un environnement domestique, des perturbations radio peuvent se produire. Dans ce cas, il peut être demandé à l'utilisateur d'entreprendre des actions correctives.

VCCI-A

Figure 2-7. Marque réglementée ITE - Classe A VCCI

Classe B ITE

この装置は、情報処理装置等電波障害自主規制協議会（VCCI）の基準に基づく クラス B 情報技術装置です。この装置は家庭環境で使用することを目的としていますが、ラジオやテレビジョン受信機に近接して使用されると、受信障害を引き起こすことがあります。
取扱説明書に従って正しい取り扱いをしてください。

Ceci est un produit de classe B selon la norme du Conseil de contrôle volontaire des interférences (VCCI, *Voluntary Control Council for Interference*) pour les équipements de technologie de l'information. Si cet appareil est utilisé près d'un récepteur de radio ou de télévision dans un environnement domestique, il peut provoquer des interférences radio. Installez et utilisez cet appareil selon les instructions indiquées dans la documentation.



Figure 2-8. Marque réglementée ITE - Classe B VCCI

Réglementation MOC (Corée du Sud uniquement)

Pour déterminer quelle classification s'applique (classe A ou B) à votre système informatique (ou aux autres dispositifs numériques Dell), examinez les étiquettes d'agrément du ministère des télécommunications (MOC) sud-coréen, situées sur votre ordinateur (ou d'autres appareils numériques Dell). L'étiquette MOC peut être située à l'écart des autres étiquettes réglementaires appliquées sur le produit. Le texte anglais « EMI (A) », pour les produits de la classe A ou « EMI (B) » pour les produits de la classe B, apparaît au centre de l'étiquette MOC (voir les figures 2-9 et 2-10).



REMARQUE : Les exigences des émissions MOC mènent à deux classifications :

- *Les appareils de classe A sont destinés aux usages professionnels.*
- *Les appareils de classe B sont destinés aux usages non professionnels.*

Appareil de classe A

장치 종류	사용자 안내문
A 급 기기	이 장치는 업무용으로 전자파 적합등록을 한 장치이오니 판매자 또는 사용자는 이 점을 주의하시기 바라며 만약 잘못 판매 또는 구입하였을 때에는 가정용으로 교환하시기 바랍니다.

Veillez noter que cet appareil a été agréé pour une utilisation professionnelle en ce qui concerne les interférences électromagnétiques. Si vous vous apercevez qu'il ne convient pas à votre utilisation, vous pouvez l'échanger contre un appareil non professionnel.

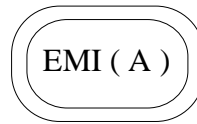


Figure 2-9. Marque réglementaire MOC de classe A

Appareil de classe B

Veillez noter que cet appareil est agréé pour une utilisation non professionnelle et peut être utilisé dans n'importe quel environnement, notamment en environnement résidentiel.

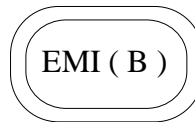


Figure 2-10. Marque réglementaire MOC de classe B

Avis du Centre polonais de test et d'agrément

Cet équipement doit tirer son alimentation d'une prise dotée d'un circuit de protection (connecteur à trois fiches). Tous les équipements fonctionnant ensemble (ordinateur, moniteur, imprimante, etc.) doivent être alimentés par le même circuit.

Le conducteur de la phase du circuit électrique du local doit disposer d'un dispositif de protection contre les courts-circuits sous la forme d'un fusible d'intensité non supérieure à 16 ampères (A).

Pour mettre totalement hors tension cet appareil, il faut débrancher le cordon d'alimentation de la prise de courant, qui doit être proche de l'appareil et aisément accessible.

Une marque de protection « B » confirme que l'appareil est conforme aux impératifs de protection des normes PN-93/T-42107 et PN-EN55022:1996.

Wymagania Polskiego Centrum Badań i Certyfikacji

Urządzenie powinno być zasilane z gniazda z przyłączonym obwodem ochronnym (gniazdo z kołkiem). Współpracujące ze sobą urządzenia (komputer, monitor, drukarka) powinny być zasilane z tego samego źródła.

Instalacja elektryczna pomieszczenia powinna zawierać w przewodzie fazowym rezerwową ochronę przed zwarciami, w postaci bezpiecznika o wartości znamionowej nie większej niż 16A (amperów).

W celu całkowitego wyłączenia urządzenia z sieci zasilania, należy wyjąć wtyczkę kabla zasilającego z gniazdka, które powinno znajdować się w pobliżu urządzenia i być łatwo dostępne.

Znak bezpieczeństwa "B" potwierdza zgodność urządzenia z wymaganiami bezpieczeństwa użytkowania zawartymi w PN-93/T-42107 i PN-EN55022:1996.

Pozostałe instrukcje bezpieczeństwa

- **Nie należy używać wtyczek adapterowych lub usuwać kołka obwodu ochronnego z wtyczki. Jeżeli konieczne jest użycie przedłużacza to należy użyć przedłużacza 3-żyłowego z prawidłowo połączonym przewodem ochronnym.**
- **System komputerowy należy zabezpieczyć przed nagłymi, chwilowymi wzrostami lub spadkami napięcia, używając eliminatora przepięć, urządzenia dopasowującego lub bezzakłóceniewego źródła zasilania.**
- **Należy upewnić się, aby nic nie leżało na kablach systemu komputerowego, oraz aby kable nie były umieszczone w miejscu, gdzie można byłoby na nie nadeptywać lub potykać się o nie.**
- **Nie należy rozlewać napojów ani innych płynów na system komputerowy.**
- **Nie należy wpychać żadnych przedmiotów do otworów systemu komputerowego, gdyż może to spowodować pożar lub porażenie prądem, poprzez zwarcie elementów wewnętrznych.**
- **System komputerowy powinien znajdować się z dala od grzejników i źródeł ciepła. Ponadto, nie należy blokować otworów wentylacyjnych. Należy unikać kładzenia luźnych papierów pod komputer oraz umieszczania komputera w ciasnym miejscu bez możliwości cyrkulacji powietrza wokół niego.**

Informations sur la norme NOM (Mexique seulement)

Les informations suivantes sont fournies relativement au(x) dispositif(s) décrit(s) dans ce document, conformément aux exigences de la Norme Officielle Mexicaine (NOM) :

Exportateur :	Dell Computer Corporation One Dell Way Round Rock, TX 78682
Importateur :	Dell Computer de Mexico, S.A. de C.V. Rio Lerma No. 302 - 4° Piso Col. Cuauhtemoc 16500 México, D.F.
Expédier à :	Dell Computer de México, S.A. de C.V. al Cuidado de Kuehne & Nagel de México S. de R.I. Avenida Soles No. 55 Col. Peñon de los Baños 15520 México, D.F.
Tension d'alimentation :	100-240 VAC
Fréquence :	60-50 Hz
Intensité d'entrée :	1,5 A

Información para NOM (únicamente para México)

La información siguiente se proporciona en el dispositivo o en los dispositivos descritos en este documento, en cumplimiento con los requisitos de la Norma Oficial Mexicana (NOM) :

Exportador:	Dell Computer Corporation One Dell Way Round Rock, TX 78682
Importador:	Dell Computer de México, S.A. de C.V. Rio Lerma No. 302 - 4° Piso Col. Cuauhtemoc 16500 México, D.F.
Embarcar a:	Dell Computer de México, S.A. de C.V. al Cuidado de Kuehne & Nagel de México S. de R.I. Avenida Soles No. 55 Col. Peñon de los Baños 15520 México, D.F.
Tensión alimentation :	100–240 VAC
Frecuencia:	60–50 Hz
Consumo de corriente :	1,5 A

Garantie et règle de retour

Garantie limitée de trois ans (États-Unis seulement)

Dell Computer Corporation (« Dell ») fabrique ses produits à partir de pièces et de composants neufs ou quasiment neufs conformément aux pratiques industrielles standard. Dell garantit que ses produits sont exempts de tout défaut matériel et de fabrication. La garantie limitée est valable pendant trois ans à compter de la date de facturation, comme indiqué ci-dessous.

Les dommages dus à l'expédition des produits chez le client sont couverts par cette garantie limitée. Par ailleurs, cette garantie limitée ne couvre pas les dommages résultant de causes externes : accidents, usage abusif ou à mauvais escient, problèmes d'alimentation électrique, interventions non autorisées par Dell, utilisation non conforme aux instructions du produit, non-exécution de l'entretien préventif exigé, et problèmes dus à l'utilisation de pièces et de composants non fournis par Dell.

Cette garantie limitée ne s'applique pas aux articles des catégories suivantes : logiciels, périphériques externes (à l'exception de ceux spécifiquement indiqués), accessoires ou pièces ajoutés à un système Dell après son expédition par Dell, accessoires ou pièces ajoutés à un système Dell par le département d'intégration du système Dell, accessoires ou pièces qui ne sont pas installés à l'usine Dell ou produits DellWare™. Les moniteurs, claviers et souris de marque Dell ou inclus dans la liste des prix standard de Dell sont couverts par cette garantie limitée ; tous les autres moniteurs, claviers et souris (y compris ceux vendus par le programme DellWare) ne sont pas couverts. Les batteries des ordinateurs portables ne sont couvertes que pendant la période initiale d'un an de cette garantie limitée.

Garantie pendant la première année

Lors de la première année à compter de la date de facturation, Dell répare ou remplace les produits qui sont retournés à l'usine de Dell et qui sont couverts par cette garantie limitée. Pour obtenir le service de garantie, vous devez appeler le Support Technique Clientèle de Dell dans les limites de la période de garantie. Consultez le chapitre « Aide et assistance » du guide de dépannage de votre système ou, pour certains systèmes, à la section « Contacter Dell » dans la documentation en ligne de votre système pour trouver le numéro qui vous permettra d'obtenir une assistance clientèle. Si une réparation sous garantie est nécessaire, Dell vous fournira un numéro d'autorisation de renvoi du matériel. Vous devez renvoyer les produits à Dell dans leur emballage d'origine ou un équivalent, payer d'avance les frais d'expédition, et assurer l'envoi ou accepter les risques de perte ou de dommage pendant l'acheminement. Dell vous renverra le produit réparé ou le remplacera à ses frais si vous utilisez une adresse aux États-Unis ou au Canada, le cas échéant. Les expéditions vers d'autres destinations sont payées à la réception.



REMARQUE : Avant d'expédier le ou les produits à Dell, sauvegardez les données du ou des disques durs et de tout autre dispositif de stockage des produits. Retirez tous les supports amovibles comme les disquettes, les CD ou les cartes PC. Dell décline toute responsabilité pour les données ou les logiciels perdus.

Dell est propriétaire de toutes les pièces retirées des produits réparés. Dell utilise des pièces neuves ou remises en état provenant de différents fabricants pour les réparations sous garantie et pour la fabrication de produits de remplacement. Quand Dell répare ou remplace un produit, la période de garantie n'en est pas prolongée.

Garantie pendant la deuxième et la troisième année

Pendant la deuxième et la troisième année de cette garantie limitée, Dell fournit, sur une base d'échange et en conformité avec la règle sur les renvois de Dell effective à la date de l'échange, des pièces de rechange pour le ou les produits matériels Dell couverts par cette garantie limitée, quand une pièce doit être remplacée. Vous devez indiquer à l'avance chaque panne de matériel au Support Technique Clientèle de Dell afin que Dell convienne de la nécessité du remplacement de la pièce et expédie la pièce de rechange. Dell expédie les pièces (à ses frais) si vous utilisez une adresse aux États-Unis, le cas échéant. Les expéditions vers d'autres destinations sont payées à la réception. Dell inclut un emballage d'expédition payé à l'avance avec chaque pièce de rechange afin que vous renvoyiez la pièce remplacée à Dell. Les pièces de rechange sont neuves ou remises en état. Dell peut fournir des pièces de rechange provenant de fabricants divers. Les conditions de garantie pour une pièce de rechange sont celles qui s'appliquent encore pour la garantie limitée.

Toute pièce de rechange dont l'équivalent défectueux et remplacé n'a pas été renvoyé à Dell devra être payée. La procédure de renvoi des pièces de rechange, ainsi que votre engagement à les payer si vous ne les réexpédiez pas à Dell, sont conformes à la règle sur les renvois effective à la date de l'échange.

Vous acceptez la pleine responsabilité pour votre logiciel et vos données. Dell n'a pas à vous indiquer ou à vous rappeler les procédures de sauvegarde ni les autres procédures appropriées.

Conditions générales

CETTE GARANTIE LIMITÉE VOUS DONNE DES DROITS LÉGAUX SPÉCIFIQUES QUI VARIENT SELON LE LIEU GÉOGRAPHIQUE (OU SELON LA JURIDICTION). LA RESPONSABILITÉ DE DELL POUR LE FONCTIONNEMENT DÉFECTUEUX ET LES DÉFAUTS DU MATÉRIEL EST LIMITÉE À LA RÉPARATION OU AU REMPLACEMENT COMME INDIQUÉ DANS CE CONTRAT DE GARANTIE LIMITÉE. TOUTE GARANTIE EXPRESSE OU IMPLICITE DU PRODUIT, INCLUANT SANS EN EXCLURE D'AUTRES TOUTE GARANTIE ET CONDITION IMPLICITE DE QUALITÉ OU D'ADAPTABILITÉ À UN USAGE PARTICULIER, EST LIMITÉE À LA PÉRIODE MENTIONNÉE CI-DESSUS, ET AUCUNE GARANTIE, EXPRESSE OU IMPLICITE, NE SERA APPLIQUÉE AU-DELÀ DE CETTE PÉRIODE.

CERTAINS ÉTATS (OU JURIDICTIONS) NE RECONNAISSENT PAS DE RESTRICTION DE LA DURÉE D'UNE GARANTIE IMPLICITE, AUQUEL CAS LA RESTRICTION PRÉCÉDENTE PEUT NE PAS S'APPLIQUER.

DELL DÉCLINE TOUTE RESPONSABILITÉ, AU-DELÀ DES RECOURS INDIQUÉS DANS CETTE DÉCLARATION DE GARANTIE LIMITÉE, POUR LES DOMMAGES ACCIDENTELS OU INDUITS, Y COMPRIS POUR LA NON-DISPONIBILITÉ D'UN PRODUIT OU POUR LA PERTE DE DONNÉES OU DE LOGICIEL, ET CE SANS RESTRICTION.

CERTAINS ÉTATS (OU JURIDICTIONS) NE RECONNAISSENT PAS D'EXCLUSION OU DE RESTRICTION SUR LES DOMMAGES SECONDAIRES OU INDUITS, AUQUEL CAS L'EXCLUSION OU LES RESTRICTIONS PRÉCÉDENTES PEUVENT NE PAS S'APPLIQUER.

Ces conditions s'appliquent uniquement à la garantie limitée de trois ans de Dell. Pour les réserves sur tout contrat de service couvrant votre système, reportez-vous à votre facture ou au contrat de service séparé que vous recevrez.

Si Dell choisit de remplacer un système ou un composant, l'échange se fera en conformité avec la règle sur les renvois de Dell effective à la date de l'échange. Dans tous les cas où Dell délivre un numéro d'autorisation de renvoi du matériel, Dell doit recevoir le ou les produits avant l'expiration de la période de garantie pour que la ou les réparations puissent être couvertes par la garantie limitée.



REMARQUE : Si vous choisissez l'une des options de garantie et de service disponibles au lieu de la garantie limitée standard de trois ans décrite ci-dessus, cette option sera indiquée sur votre facture.

Garantie limitée de trois ans (Canada seulement)

Dell Computer Corporation (« Dell ») fabrique ses produits à partir de pièces et de composants neufs ou quasiment neufs conformément aux pratiques industrielles standard. Dell garantit que ses produits sont exempts de tout défaut matériel et de fabrication. La garantie est valable pendant trois ans à compter de la date de facturation, comme indiqué ci-dessous.

Les dommages dus à l'expédition des produits chez le client sont couverts par cette garantie limitée. Par ailleurs, cette garantie limitée ne couvre pas les dommages résultant de causes externes : accidents, usage abusif ou à mauvais escient, problèmes d'alimentation électrique, interventions non autorisées par Dell, utilisation non conforme aux instructions du produit, non-exécution de l'entretien préventif exigé, et problèmes dus à l'utilisation de pièces et de composants non fournis par Dell.

Cette garantie limitée ne s'applique pas aux articles des catégories suivantes : logiciels, périphériques (à l'exception de ceux spécifiquement indiqués), accessoires ou pièces ajoutés à un système Dell après son expédition par Dell, accessoires ou pièces ajoutés à un système Dell par le département d'intégration du système Dell, accessoires ou pièces qui ne sont pas installés à l'usine Dell ou produits DellWare. Les moniteurs, claviers et souris de marque Dell ou inclus dans la liste des prix standard de Dell sont couverts par cette garantie limitée ; tous les autres moniteurs, claviers et souris (y compris ceux vendus par le programme DellWare) ne sont pas couverts. Les batteries des ordinateurs portables ne sont couvertes que pendant la période initiale d'un an de cette garantie limitée.

Garantie pendant la première année

Lors de la première année à compter de la date de facturation, Dell répare ou remplace les produits qui sont retournés à l'usine de Dell et qui sont couverts par cette garantie limitée. Pour obtenir le service de garantie, vous devez appeler le Support Technique Clientèle de Dell dans les limites de la période de garantie. Consultez le chapitre « Aide et assistance » du guide de dépannage de votre système ou, pour certains systèmes, à la section « Contacter Dell » dans la documentation en ligne de votre système pour trouver le numéro qui vous permettra d'obtenir une assistance clientèle. Si une réparation sous garantie est nécessaire, Dell vous fournira un numéro d'autorisation de renvoi du matériel. Vous devez renvoyer les produits à Dell dans leur emballage d'origine ou un équivalent, payer d'avance les frais d'expédition, et assurer l'envoi ou accepter les risques de perte ou de dommage pendant l'acheminement. Dell vous renverra le produit réparé ou le remplacera à ses frais si vous utilisez une adresse au Canada, le cas échéant. Les expéditions vers d'autres destinations sont payées à la réception.



REMARQUE : Avant d'expédier le ou les produits à Dell, sauvegardez les données du ou des disques durs et de tout autre dispositif de stockage des produits. Retirez tous les supports amovibles comme les disquettes, les CD ou les cartes PC. Dell décline toute responsabilité pour les données ou les logiciels perdus.

Dell est propriétaire de toutes les pièces retirées des produits réparés. Dell utilise des pièces neuves ou remises en état provenant de différents fabricants pour les réparations sous garantie et pour la fabrication de produits de remplacement. Quand Dell répare ou remplace un produit, la période de garantie n'en est pas prolongée.

Garantie pendant la deuxième et la troisième année

Pendant la deuxième et la troisième année de cette garantie limitée, Dell fournit, sur une base d'échange et en conformité avec la règle sur les renvois de Dell effective à la date de l'échange, des pièces de rechange pour le ou les produits matériels Dell couverts par cette garantie limitée, quand une pièce doit être remplacée. Vous devez indiquer à l'avance chaque panne de matériel au Support Technique Clientèle de Dell afin que Dell convienne de la nécessité du remplacement de la pièce et expédie la pièce de rechange. Dell expédie les pièces (à ses frais) si vous utilisez une adresse au Canada, le cas échéant. Les expéditions vers d'autres destinations sont payées à la réception. Dell inclut un emballage d'expédition payé à l'avance avec chaque pièce de rechange afin que vous renvoyiez la pièce remplacée à Dell. Les pièces de rechange sont neuves ou remises en état. Dell peut fournir des pièces de rechange provenant de fabricants divers. Les conditions de garantie pour une pièce de rechange sont celles qui s'appliquent encore pour la garantie limitée.

Toute pièce de rechange dont l'équivalent défectueux et remplacé n'a pas été renvoyé à Dell devra être payée. La procédure de renvoi des pièces de rechange, ainsi que votre engagement à les payer si vous ne les réexpédiez pas à Dell, sont conformes à la règle sur les renvois effective à la date de l'échange.

Vous acceptez la pleine responsabilité pour votre logiciel et vos données. Dell n'a pas à vous indiquer ou à vous rappeler les procédures de sauvegarde ni les autres procédures appropriées.

Conditions générales

DELL N'ACCORDE AUCUNE GARANTIE OU CONDITION EXPRESSE AU-DELÀ DE CELLES MENTIONNÉES DANS LE PRÉSENT CONTRAT DE GARANTIE LIMITÉE. DELL DÉCLINE TOUTE AUTRE GARANTIE OU CONDITION EXPRESSE OU IMPLICITE, INCLUANT SANS RESTRICTION LES GARANTIES ET CONDITIONS IMPLICITES DE QUALITÉ OU D'ADAPTABILITÉ À UN USAGE PARTICULIER. CERTAINS ÉTATS (OU JURIDICTIONS) NE RECONNAISSENT PAS DE RESTRICTION POUR LES GARANTIES OU CONDITIONS IMPLICITES, AUQUEL CAS LA RESTRICTION PRÉCÉDENTE PEUT NE PAS S'APPLIQUER.

LA RESPONSABILITÉ DE DELL POUR LE FONCTIONNEMENT DÉFECTUEUX ET LES DÉFAUTS DU MATÉRIEL EST LIMITÉE À LA RÉPARATION OU AU REMPLACEMENT COMME INDIQUÉ DANS CE CONTRAT DE GARANTIE LIMITÉE. CES GARANTIES VOUS DONNENT DES DROITS LÉGAUX SPÉCIFIQUES, AUXQUELS PEUVENT S'AJOUTER D'AUTRES DROITS, QUI VARIENT AU CAS PAR CAS (OU SELON LA JURIDICTION).

DELL DÉCLINE TOUTE RESPONSABILITÉ, AU-DELÀ DES RECOURS INDIQUÉS DANS CETTE DÉCLARATION DE GARANTIE LIMITÉE, POUR LES DOMMAGES ACCIDENTELS OU INDUITS, Y COMPRIS POUR LA NON-DISPONIBILITÉ D'UN PRODUIT OU POUR LA PERTE DE DONNÉES OU DE LOGICIEL, ET CE SANS RESTRICTION.

CERTAINS ÉTATS (OU JURIDICTIONS) NE RECONNAISSENT PAS D'EXCLUSION OU DE RESTRICTION SUR LES DOMMAGES SECONDAIRES OU INDUITS, AUQUEL CAS L'EXCLUSION OU LES RESTRICTIONS PRÉCÉDENTES PEUVENT NE PAS S'APPLIQUER.

Ces conditions s'appliquent uniquement à la garantie limitée de trois ans de Dell. Pour les réserves sur tout contrat de service couvrant votre système, reportez-vous à votre facture ou au contrat de service séparé que vous recevrez.

Si Dell choisit de remplacer un système ou un composant, l'échange se fera en conformité avec la règle sur les renvois de Dell effective à la date de l'échange. Dans tous les cas où Dell délivre un numéro d'autorisation de renvoi du matériel, Dell doit recevoir le ou les produits avant l'expiration de la période de garantie pour que la ou les réparations puissent être couvertes par la garantie limitée.



REMARQUE : Si vous choisissez l'une des options de garantie et de service disponibles au lieu de la garantie limitée standard de trois ans décrite ci-dessus, cette option sera indiquée sur votre facture.

Règle de renvoi « Satisfait ou remboursé » (États-Unis et Canada seulement)

En qualité de client et utilisateur final ayant acheté de nouveaux produits directement à une société Dell, vous êtes en droit de les retourner à Dell dans un délai de 30 jours à compter de la date de facturation pour un remboursement ou un avoir équivalent au prix d'achat. En qualité de client et utilisateur final ayant acheté des produits recyclés à une société Dell, vous êtes en droit de les retourner dans un délai de 14 jours à compter de la date de facturation pour un remboursement ou un avoir équivalent au prix d'achat. Dans l'un comme l'autre de ces cas, le remboursement ou l'avoir n'inclut pas les frais de livraison et d'emballage indiqués sur votre facture. Si vous avez acheté nos produits en tant que société liée à Dell par un contrat écrit, les termes stipulés dans ce contrat au sujet du renvoi des produits peuvent différer de ceux spécifiés par la règle de renvoi.

Pour retourner les produits, vous devez appeler le Service Clientèle de Dell qui vous fournira un numéro d'autorisation de renvoi pour crédit. Consultez le chapitre 5, « Aide et assistance », ou la rubrique « Pour contacter Dell » de l'*Aide système*, afin de connaître le numéro de téléphone à contacter pour bénéficier d'une assistance client. Afin d'accélérer la procédure de remboursement ou d'avoir, Dell attend que vous lui renvoyiez les produits dans leur emballage d'origine dans les cinq jours suivant l'attribution d'un numéro d'autorisation de renvoi pour crédit. Vous devez également payer d'avance les frais d'expédition et assurer l'envoi, ou accepter les risques de perte ou de dommage pendant l'acheminement. Vous ne pouvez renvoyer le logiciel pour un remboursement ou un avoir que si l'emballage scellé contenant la ou les disquettes ou le ou les CD n'a pas été ouvert. Les produits renvoyés doivent être comme neufs, et tous les guides, disquettes, CD, cordons d'alimentation et autres accessoires livrés avec le produit doivent être renvoyés avec lui. Les clients désirant renvoyer, pour remboursement ou avoir, des logiciels d'application ou un système d'exploitation installé par Dell, doivent retourner le système dans son intégralité, avec tous les supports et la documentation inclus dans la livraison d'origine.

Cette règle de renvoi « Satisfait ou remboursé » ne s'applique pas aux produits DellWare, qui peuvent être retournés selon la règle de renvoi de DellWare actuellement en vigueur. En outre, les éléments recyclés achetés à la Vente de Pièces Détachées Dell au Canada ne peuvent être retournés.

Dell™ Inspiron™

ADVANCED PORT REPLICATOR BENUTZERHANDBUCH

Hinweise, Vorsichtshinweise und Warnungen

In diesem Handbuch sind verschiedene Textabschnitte mit einem Symbol gekennzeichnet und kursiv oder fett gedruckt. Diese Textabschnitte sind Hinweise, Vorsichtshinweise und Warnungen, die wie folgt eingesetzt werden:



HINWEIS: Ein HINWEIS macht auf wichtige Informationen aufmerksam, mit denen Sie das System besser einsetzen können.

VORSICHT: VORSICHT warnt vor möglichen Beschädigungen der Hardware oder vor Datenverlust und zeigt, wie diese vermieden werden können.



WARNUNG: Eine WARNUNG zeigt die Gefahr von Verletzungen an und erklärt, wie diese vermieden werden können.

Irrtümer und technische Änderungen vorbehalten.

© 1999–2000 Dell Computer Corporation. Alle Rechte vorbehalten.

Nachdrucke jeglicher Art ohne die vorherige schriftliche Genehmigung der Dell Computer Corporation sind strengstens untersagt.

Warenzeichen in diesem Text: *Dell*, das *DELL*-Logo, *BE DIRECT*, *Inspiron* und *DellWare* sind Warenzeichen der Dell Computer Corporation; *Microsoft*, *Windows* und *Windows NT* sind eingetragene Warenzeichen der Microsoft Corporation; *3Com* ist ein eingetragenes Warenzeichen der 3Com Corporation.

Alle anderen in dieser Dokumentation genannten Warenzeichen und Handelsbezeichnungen sind Eigentum der entsprechenden Hersteller und Firmen. Die Dell Computer Corporation verzichtet auf alle Besitzrechte an Warenzeichen und Handelsbezeichnungen, die nicht ihr Eigentum sind.

Februar 2000 P/N 8498T Rev. A02



Inhalt

E/A-Anschlüsse des APR.	3-1
Bedienelemente und Anzeigen des APR.	3-3
Externe Geräte an den APR anschließen	3-4
Computer an den APR anschließen.	3-4
Computer in die Docking-Station einsetzen	3-5
Computer vom APR trennen	3-6
Bildschirmträger	3-7
Sicherheitshinweise	3-8
Technische Daten	3-10
Normenhinweise	3-11
FCC-Hinweise (nur USA)	3-12
Klasse A	3-13
Klasse B	3-13
IC-Hinweis (nur Kanada)	3-14
CE-Hinweis (Europäische Union)	3-14
EN 55022-Konformität (nur Tschechische Republik)	3-15
VCCI-Hinweis (nur Japan)	3-15
ITE der Klasse A	3-15
ITE der Klasse B	3-16
MOC-Hinweis (nur Südkorea)	3-16
Gerät der Klasse A	3-17
Gerät der Klasse B	3-17
Hinweis des Center for Testing and Certification (Polen)	3-18
Wymagania Polskiego Centrum BadaŃ i Certyfikacji	3-18
PozostaŃe instrukcje bezpieczeŃstwa	3-18
NOM-Informationen (nur Mexiko)	3-19
Informaci3n para NOM (únicamente para M3xico)	3-20
Gewährleistung und Rücknahmegarantie	3-21
Eingeschränkte Dreijahresgarantie (nur USA)	3-21

Garantieansprüche während des ersten Jahres	3-21
Garantieansprüche während des zweiten und dritten Jahres	3-22
Allgemeine Bestimmungen	3-23
Eingeschränkte Dreijahresgarantie (nur Kanada)	3-24
Garantieansprüche während des ersten Jahres	3-24
Garantieansprüche während des zweiten und dritten Jahres	3-25
Allgemeine Bestimmungen	3-25
30-Tage-Rückgaberecht (nur USA und Kanada)	3-27

Abbildungen

Abbildung 3-1. E/A-Anschlüsse auf der Rückseite des APR	3-2
Abbildung 3-2. Audio-Ausgangsanschluß	3-3
Abbildung 3-3. Bedienelemente und Anzeigen	3-3
Abbildung 3-4. Einsetzen des Computers in die Docking-Station	3-5
Abbildung 3-5. Trennen des Computers vom APR	3-6
Abbildung 3-6. APR mit Bildschirmträger	3-7
Abbildung 3-7. ITE-Registrierungsmarkierung für VCCI-Klasse A	3-15
Abbildung 3-8. VCCI-Normierungsmarke für Datenverarbeitungsgeräte der Klasse B	3-16
Abbildung 3-9. MOC Klasse A-Bestimmungskennzeichnung	3-17
Abbildung 3-10. MOC Klasse B-Bestimmungskennzeichnung	3-17

Tabellen

Tabelle 3-1. Externe E/A-Anschlüsse	3-2
Tabelle 3-2. Technische Daten	3-10



Dell™ Inspiron™ Advanced Port Replicator Benutzerhandbuch

Der Advanced Port Replicator (APR) integriert Ihren Computer schnell und leicht in eine Desktop-Umgebung. In dieser Dokumentation finden Sie Anleitungen, um externe Geräte und den Computer an den Advanced Port Replicator (APR) anzuschließen.



HINWEIS: Wenn Sie im Lieferumfang Ihres APR eine BIOS-Aktualisierungsdiskette (Basic Input/Output System) erhalten haben, ist das BIOS des Computers vor dem Anschluß des Computers an den APR mit Hilfe der Diskette zu aktualisieren. Anweisungen finden Sie in der Dokumentation zur Aktualisierungsdiskette.

VORSICHT: Heben Sie den Computer nicht an, während er an den Advanced Port Replicator angeschlossen ist. Andernfalls wird der Anschluß beschädigt. Anweisungen hierzu finden Sie unter „Computer vom APR trennen“ weiter unten in diesem Handbuch.

E/A-Anschlüsse des APR

Die E/A-Anschlüsse (Eingabe/Ausgabe) auf der Rückseite und Seite des APR (siehe Abbildung 3-1 und 3-2) gleichen den vorhandenen Anschlüssen am Computer.

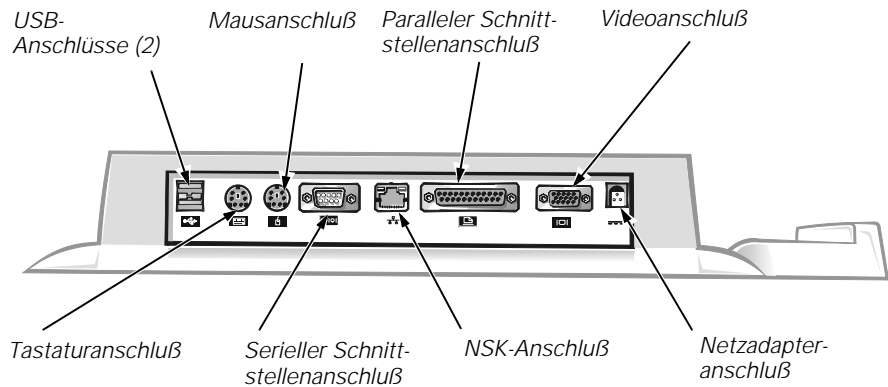




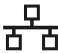





Abbildung 3-1. E/A-Anschlüsse auf der Rückseite des APR

In Tabelle 3-1 sind die Symbole für jeden der Anschlüsse auf der Rückseite des APR aufgeführt. Ferner werden die Arten der externen Geräte angezeigt, die an jeden Anschluß angeschlossen werden können.

Tabelle 3-1. Externe E/A-Anschlüsse

Anschlußsymbol	Anschlußoptionen
	Anschluß von einem oder zwei USB-Geräten, beispielsweise einer USB-Maus, an den Dual-USB-Anschluß
	Anschluß einer externen PS/2-Tastatur oder Zehnertastatur an den PS/2-Tastaturanschluß
	Anschluß einer externen PS/2-kompatiblen Maus an den PS/2-Mausanschluß
	Anschluß eines seriellen Geräts wie einer seriellen Maus oder eines externen Modems an den seriellen Schnittstellenanschluß
	Anschluß eines Netzwerkschnittstellen-Kabels an den NSK-Anschluß
	Anschluß eines parallelen Geräts wie eines Druckers an den parallelen Schnittstellenanschluß
	Anschluß eines externen Monitors an den Videoanschluß
	Anschluß des Netzadapters aus dem Lieferumfang des APR an den Netzadapteranschluß

HINWEIS: Eine Beschreibung der in dieser Tabelle aufgeführten Abkürzungen und Akronyme finden Sie im Glossar der Systemhilfe.

Der Audio-Ausgangsanschluß befindet sich auf der Seite des APR (siehe Abbildung 3-2).

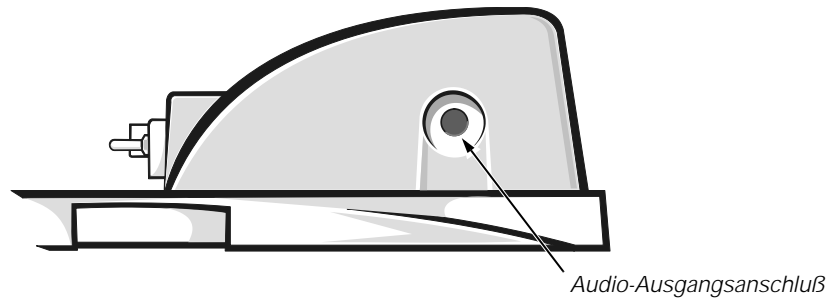


Abbildung 3-2. Audio-Ausgangsanschluß

Bedienelemente und Anzeigen des APR

Die Bedienelemente und Anzeigen des APR sind in Abbildung 3-3 dargestellt.

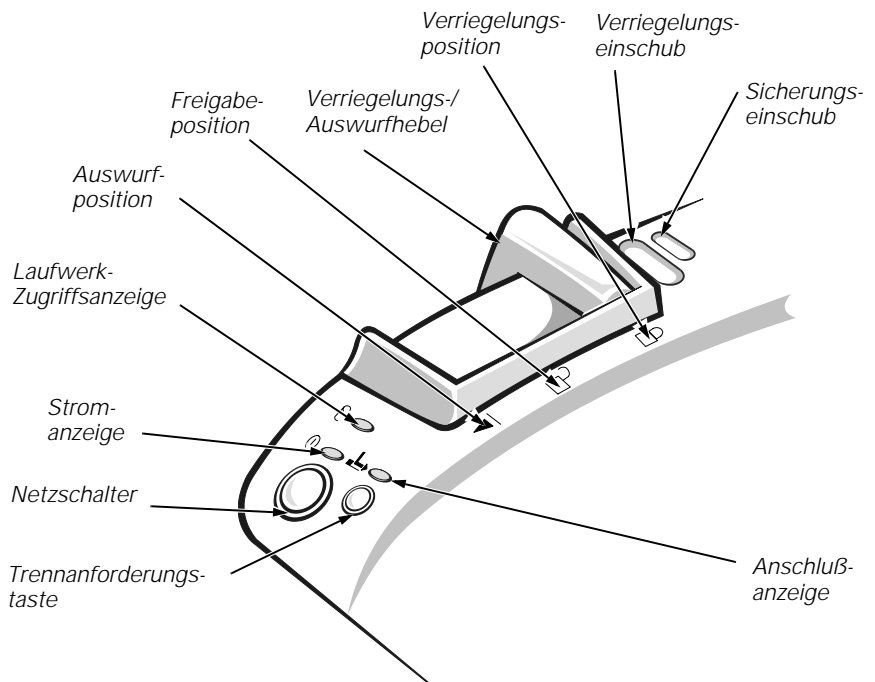


Abbildung 3-3. Bedienelemente und Anzeigen

Externe Geräte an den APR anschließen

Führen Sie die folgenden Schritte aus, um externe Geräte an den APR anzuschließen.

1. Anhand Abbildung 3-1 die externen Geräte an die entsprechenden Anschlüsse auf der Rückseite des APR anschließen.



HINWEIS: Wenn die Kabelanschlüsse des externen Geräts Rändelschrauben aufweisen, ist sicherzustellen, daß diese fest angezogen sind, um eine ordnungsgemäße Verbindung zu gewährleisten.

Genauere Informationen zur Verwendung von externen Geräten bei Ihrem Computers finden Sie unter „Externe Geräte anschließen“ in der *Systemhilfe*.

2. Externe Geräte ggf. an die Stromversorgung anschließen.

Computer an den APR anschließen

Der Netzadapter muß vor dem Anschließen und Einschalten des Computers an den APR angeschlossen werden. Der Netzadapter versorgt sowohl den APR als auch den Computer mit Strom. Während des Betriebs mit APR werden alle im Computer installierten Batterien aufgeladen.

VORSICHT: Verwenden Sie immer den Netzadapter von Dell, der im Lieferumfang des APR enthalten ist. (Auf der Unterseite des Netzadapters befindet sich die Modellnummer PA-6.) Der Gebrauch eines anderen handelsüblichen Netzadapters – oder eines Netzadapters für ein früheres Computer-Modell von Dell – kann zu Schäden am APR oder Computer führen.

Vor dem ersten Anschließen des Computers an den APR muß das Setup des Betriebssystems abgeschlossen werden. So stellen Sie sicher, daß der Setup-Vorgang für das Betriebssystem abgeschlossen wurde:

1. Sicherstellen, daß der Computer nicht an den APR angeschlossen ist.
2. Den Computer einschalten.
3. Sicherstellen, daß der Computer den Setup-Vorgang für das Betriebssystem abschließt. Anweisungen hierzu finden Sie im *Installationshandbuch*, das mit Ihrem Computer geliefert wurde.
4. Den Computer ausschalten.

Jetzt können Sie Ihren Computer wie im folgenden Abschnitt, „Computer in die Docking-Station einsetzen“, beschrieben anschließen.

Computer in die Docking-Station einsetzen

Führen Sie die folgenden Schritte aus, um den Computer an den APR anzuschließen:

1. Sicherstellen, daß der Setup-Vorgang für das Betriebssystem abgeschlossen wurde. Anweisungen hierzu finden Sie im *Installationshandbuch*, das mit Ihrem Computer geliefert wurde.
2. Sämtliche geöffneten Dateien speichern und schließen, alle geöffneten Anwendungsprogramme beenden und den Computer herunterfahren.
3. Falls noch nicht geschehen, den Netzadapter an den Anschluß am APR anschließen (siehe Abbildung 3-1) und den Netzstecker in eine Steckdose einstecken.
4. Den Computer mit der Rückseite zum Docking-Anschluß des APR ausgerichtet horizontal auf der APR-Plattform plazieren (siehe Abbildung 3-4).
5. Den Computer in Richtung Anschluß schieben, bis die Führungsschienen spürbar in die Nuten an der Unterseite des Computers greifen.

VORSICHT: Wenn Sie versuchen, den Computer ganz in den APR einzuschieben, ohne daß die Führungsschienen greifen, kann dies zu irreparablen Schäden am Docking-Anschluß des Computers führen.



HINWEIS: Ist ein Bildschirmträger installiert, sind die Führungsschienen und der Docking-Anschluß nicht zu sehen.

6. Den Computer behutsam einschieben, bis der Docking-Anschluß einrastet.

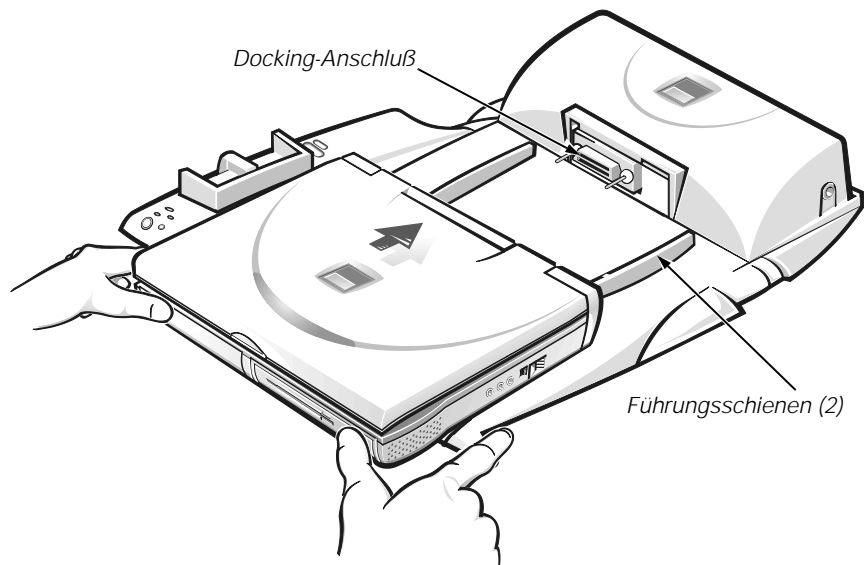


Abbildung 3-4. Einsetzen des Computers in die Docking-Station

Computer vom APR trennen

Führen Sie die folgenden Schritte aus, um den Computer vom APR zu trennen:

1. Sämtliche geöffneten Dateien speichern und schließen, und alle geöffneten Anwendungsprogramme beenden.

VORSICHT: Ist die Batterie des Computers nicht aufgeladen, schaltet der Computer aus, sobald er vom APR getrennt wird. Dadurch gehen nicht gespeicherte Daten verloren.

VORSICHT: Bevor Sie den Computer vom APR trennen, müssen Sie den Computer immer vorbereiten. Mit jedem der drei folgenden Verfahren werden das Betriebssystem, das Netzwerk und die Speichergeräte auf die Trennung vorbereitet, d. h. Datenübertragungen werden abgeschlossen. Wird der Computer getrennt, bevor diese Übertragungen abgeschlossen wurden, gehen Daten verloren, und der Computer kann, wenn überhaupt, erst nach einigen Minuten den Normalbetrieb wiederaufnehmen.

2. Führen Sie die folgenden Schritte aus, um den Computer auf die Trennung vorzubereiten:
 - Die Tastenkombination <Fn><Esc> auf der Computertastatur drücken (oder <Rollen><Esc> auf der externen Tastatur).
Nach einigen Sekunden erlischt die Stromanzeige des Computers.
 - Falls Sie das Betriebssystem Microsoft® Windows® 98 oder Windows 2000 verwenden, auf die Schaltfläche **Start** und anschließend auf **Eject PC (PC auswerfen)** klicken. Verwenden Sie das Betriebssystem Microsoft Windows NT®, auf das Anschlußsymbol und anschließend auf **Undock (Trennen)** klicken, um in den Suspendiermodus zu wechseln.
Nach einigen Sekunden erlischt die Stromanzeige des Computers.
 - Die Trennanforderungstaste auf dem APR drücken (siehe Abbildung 3-5).
Die grüne Anschlußanzeige erlischt.
3. Den Verriegelungs-/Auswurfhebel auf der linken Seite des APR (siehe Abbildung 3-5) auf die Auswurfposition schieben, um den Computer vom APR zu trennen.

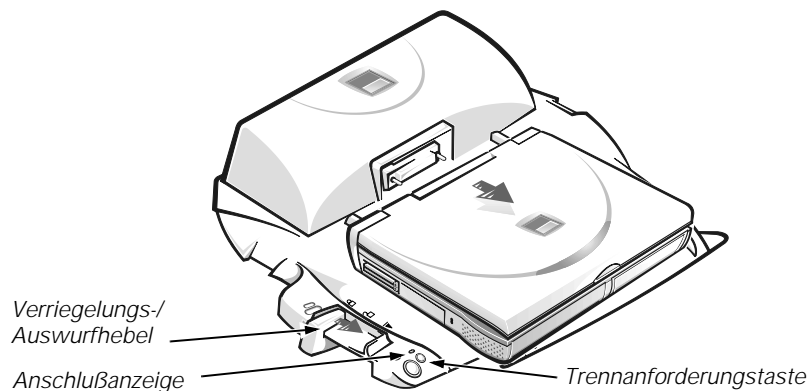


Abbildung 3-5. Trennen des Computers vom APR

Bildschirmträger

Der Bildschirmträger ist in Abbildung 3-6 dargestellt.

VORSICHT: Der Träger eignet sich für Monitore mit einem Gewicht bis zu 45,3 kg. Durch schwerere Monitore können Bildschirmträger, Computer und APR beschädigt werden.



HINWEIS: Stellen Sie sicher, daß die hinteren Füße des Bildschirmträgers ordnungsgemäß in die Vertiefungen auf beiden Seiten der Anschlußbasis eingesetzt sind.

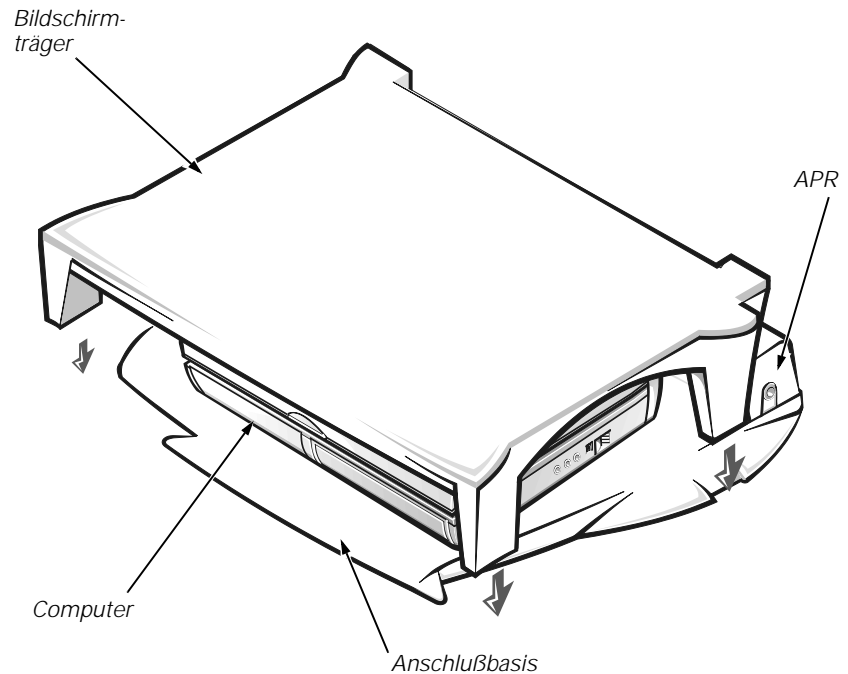


Abbildung 3-6. APR mit Bildschirmträger

Sicherheitshinweise

Die folgenden Sicherheitshinweise schützen den APR vor möglichen Schäden und dienen der persönlichen Sicherheit des Benutzers.

- Versuchen Sie nicht, den APR selbst zu warten. Beachten Sie alle Installationsanweisungen stets genau.
- Stellen Sie sicher, daß keine Gegenstände auf dem Netzadapterkabel abgestellt sind.
- Stellen Sie sicher, daß das Kabel so verlegt ist, daß man nicht darüber stolpern oder darauf treten kann.
- Platzieren Sie den Netzadapter an einem belüfteten Ort wie dem Schreibtisch oder dem Fußboden, wenn Sie ihn für die Stromversorgung des APR nutzen. Es dürfen keine Papiere oder andere Gegenstände auf dem Netzadapter liegen, da dadurch die Belüftung beeinträchtigt wird. Verwenden Sie den Netzadapter nicht in einer Tragetasche.
- Verwenden Sie den APR nicht in einer feuchten Umgebung, z. B. in der Nähe einer Badewanne, eines Waschbeckens, eines Schwimmbeckens oder in einem feuchten Keller.
- Blockieren Sie die Belüftungsschlitze des APR nicht mit Gegenständen. Dadurch könnten Kurzschlüsse in internen Komponenten verursacht werden, die zu Bränden oder Stromschlag führen.
- Verwenden Sie nur den Netzadapter, der gemäß diesem Dokument für diesen APR zugelassen ist. Bei Verwendung eines anderen Netzadapters besteht Brand- oder Explosionsgefahr.
- Stellen Sie vor dem Anschluß des APR an eine Stromquelle sicher, daß die Betriebsspannung des Netzadapters mit derjenigen der verfügbaren Stromquelle übereinstimmt:
 - 115 Volt (V)/60 Hertz (Hz) fast überall in Nord- und Südamerika und einigen Ländern im Fernen Osten, z. B. Südkorea und Taiwan
 - 100 V/50 Hz im östlichen Japan und 100 V/60 Hz im westlichen Japan
 - 230 V/50 Hz in den meisten Ländern Europas, dem Mittleren und Fernen Osten
- Um Stromschläge zu verhindern, schließen Sie die Netzkabel von Netzadapter und Peripheriegeräten immer an ordnungsgemäß geerdete Steckdosen an. Diese Kabel haben drei Kontakte, mit denen eine sichere Erdung gewährleistet ist. Verwenden Sie keine Adapterstecker und entfernen Sie nicht den Massekontakt eines Kabel. Wenn Sie ein Verlängerungskabel benötigen, verwenden Sie ein dreiadriges Kabel mit ordnungsgemäß geerdeten Steckern.
- Wenn Sie ein Verlängerungskabel an den Netzadapter anschließen, stellen Sie sicher, daß der Nennstrom aller an das Verlängerungskabel angeschlossenen Geräte nicht größer ist als der zulässige Nennstrom des Verlängerungskabels ist.
- Schalten Sie den Computer aus, und trennen Sie den Netzadapter von der Stromversorgung, um den APR von der Stromversorgung zu trennen.

- Um die mögliche Gefahr eines Stromschlags zu vermeiden, sollten Sie während eines Gewitters keine Kabel anschließen oder abziehen und keine Wartung oder Neukonfiguration dieses Geräts vornehmen.
- Wenn Sie den APR aufstellen, um damit zu arbeiten, stellen Sie ihn auf eine ebene Fläche.
- Schützen Sie den APR vor Gefahren wie Schmutz, Staub, Lebensmitteln, Flüssigkeiten, extremen Temperaturen und übermäßigem Sonnenlicht.
- Wenn Sie sich mit Ihrem APR in eine Umgebung mit völlig anderer Temperatur oder Luftfeuchte begeben, kann sich auf oder im Computer Kondenswasser bilden. Um eine Beschädigung des APR zu vermeiden, sollten Sie genügend Zeit verstreichen lassen, damit die Feuchtigkeit verdunsten kann, bevor Sie den Computer benutzen.

VORSICHT: Wenn Sie den APR aus einer kälteren in eine wärmere Umgebung oder aus einer wärmeren Umgebung in eine kältere bringen, warten Sie mit dem Einschalten, bis sich der APR an die Raumtemperatur angepaßt hat.

- Beim Trennen des Geräts nur am Stecker oder an der Zuentlastung und nicht am Kabel selbst ziehen. Verdrehen Sie den Stecker beim Herausziehen nicht, damit die Kontaktstifte nicht verbogen werden. Prüfen Sie vor dem Anschluß eines Kabels auch, ob die beiden Stecker richtig ausgerichtet sind.
- Schalten Sie den APR vor dem Reinigen aus, und trennen Sie ihn von der Stromversorgung.
- Reinigen Sie den APR mit einem weichen Tuch, das nur mit Wasser, nicht aber mit flüssigen Reinigungsmitteln oder Sprühreiniger befeuchtet ist.
- Wird der APR naß oder beschädigt, gehen Sie wie in Kapitel 3, „Fehlerbeseitigung“, im *Referenz- und Fehlerbeseitigungshandbuch* beschrieben vor. Wenn Sie nach Durchführung dieser Verfahren feststellen, daß der APR nicht einwandfrei arbeitet, wenden Sie sich an die Dell Computer Corporation. (Die entsprechende Rufnummer finden Sie in Kapitel 5, „Weitere Hilfe“, im *Referenz- und Fehlerbeseitigungshandbuch*.)

Technische Daten

In Tabelle 3-2 sind die technischen Daten des APR aufgeführt.

Tabelle 3-2. Technische Daten

Maße und Gewichte	
Höhe:	
mit Bildschirmträger	10,2 cm
frei stehend	5,8 cm
Tiefe:	
mit Bildschirmträger	39,0 cm
frei stehend	35,8 cm
Breite:	
mit Bildschirmträger	37,5 cm
frei stehend	40,9 cm
Gewicht:	
mit Bildschirmträger	3,0 kg
frei stehend	1,6 kg
E/A-Anschlüsse	
Seriell (DTE)	9poliger Anschluß
Parallel	25poliger Anschluß
PS/2-Tastatur/Zehnertastatur	6poliger externer PS/2-Tastaturanschluß
PS/2-kompatible Maus	6poliger PS/2-Mausanschluß
Video	15poliger Anschluß
Audio	Kopfhörerausgang (für optionale Kopfhörer)
USB (dual)	zwei 4polige Anschlüsse
Gleichstromeingang	ein Anschluß
Docking-Anschluß	240poliger Anschluß
NSK	RJ-45-Anschluß
Ethernet-Netzwerkschnittstellen-Kontroller	
Chipsatz	3Com® 3C920; 10/100 BASE-TX (PC98-kompatibel)
Datenbusbreite	32-Bit PCI-Hostbus-Schnittstelle
IRQ	IRQ10
Stromversorgung	
Spannung	20 V Gleichstrom vom Netzadapter erforderlich
Stromverbrauch	3,5 A

HINWEIS: Eine Beschreibung der Abkürzungen und Akronyme finden Sie im Glossar der Systemhilfe.

Normenhinweise

Elektromagnetische Interferenz (EMI) ist ein Signal oder eine Emission, die in den freien Raum abgegeben oder entlang von Strom- oder Signalleitungen geleitet werden und den Betrieb der Funknavigation bzw. anderer Sicherheitsgeräte beeinträchtigen oder deren Qualität extrem verschlechtern, behindern oder wiederholt lizenzierte Funkdienste unterbrechen kann. Zu den Funkdiensten zählen u. a. kommerzieller AM/FM-Rundfunk, Fernsehen, Mobiltelefondienste, Radardienste, Flugverkehrskontrolle, Pager und persönliche Kommunikationsdienste (PCS). Diese lizenzierten Dienste tragen zusammen mit den unbeabsichtigten Strahlungsquellen, z. B. digitalen Geräten wie Computersystemen, zur elektromagnetischen Umgebung bei.

Mit Elektromagnetischer Verträglichkeit (EMV) ist die Fähigkeit elektronischer Bauteile gemeint, in der elektronischen Umgebung störungsfrei zu funktionieren. Zwar wurde dieses Computersystem so konstruiert, daß es die behördlicherseits vorgesehenen Grenzwerte für die EMI erfüllt, dennoch kann nicht ausgeschlossen werden, daß in bestimmten Installationen unter Umständen Störungen auftreten. Wenn dieses Gerät Funkdienste stört, was sich durch Aus- und Einschalten des Geräts feststellen läßt, sollten Sie versuchen, die Störungen mit Hilfe einer oder mehrerer der folgenden Maßnahmen zu beheben:

- Empfangsantenne neu ausrichten.
- Den Standort des Computers im Hinblick auf das Empfangsgerät verändern.
- Den Computer vom Empfänger wegrücken.
- Den Computer an eine andere Steckdose anschließen, so daß Computer und Empfänger über verschiedene Stromkreise versorgt werden.

Gegebenenfalls sind weitere Empfehlungen von einem Vertreter der Technischen Kundenunterstützung der Dell Computer Corporation oder einem erfahrenen Radio- und Fernsehtechniker einzuholen. Der Titel *FCC Interference Handbook, 1986*, enthält nützliche Hinweise. Sie erhalten das Handbuch vom U.S. Government Printing Office, Washington, DC 20402, Bestell-Nr. 004-000-00450-7 oder im World Wide Web unter der Adresse <http://www.fcc.gov/Bureaus/Compliance/WWW/tvibook.html>.

Dell-Computersysteme werden für die elektromagnetische Umgebung, in der sie eingesetzt werden sollen, konzipiert, getestet und klassifiziert. Die EMI-Klassifikationen haben im allgemeinen die folgende Bedeutung:

- Klasse A steht für Unternehmens- oder Industrieumgebungen.
- Klasse B ist für Wohnbereiche bestimmt.

Geräte der Datenverarbeitung (Information Technology Equipment, ITE) einschließlich Peripheriegeräten, Erweiterungskarten, Druckern, Eingabe-/Ausgabegeräten, Bildschirmen usw., die in das System integriert oder an das System angeschlossen sind, sollten der EMI-Klassifikation des Computersystems entsprechen.

Hinweis zu abgeschirmten Signalkabeln: Verwenden Sie für den Anschluß von Peripheriegeräten an Dell-Geräte ausschließlich abgeschirmte Kabel, um Störungen von Funkdiensten so weit wie möglich zu reduzieren. Der Gebrauch von abgeschirmten Kabeln gewährleistet, daß die entsprechenden EMV-Klassifikationen für die bestimmten Umgebungen eingehalten werden. Ein Kabel für Drucker, die über die parallele Schnittstelle angeschlossen werden, erhalten Sie bei der Dell Computer Corporation. Wenn Sie es vorziehen, können Sie über das World Wide Web unter <http://www.dell.com/products/dellware/index.htm> ein Kabel von der Dell Computer Corporation bestellen.

Ein Hinweis zu Computersystemen in einer Netzwerkumgebung: Manche Computersysteme von Dell mit Klassifizierung als Klasse B können integrierte Netzwerkschnittstellen-Kontroller (NSK) enthalten. Wenn Ihr System der Klasse B mit einem NSK ausgestattet ist, ist es eventuell als System der Klasse A anzusehen, sobald der NSK mit einem Netzwerk verbunden wird. Wenn der NSK nicht an ein Netzwerk angeschlossen wird, ist Ihr System ein digitales Gerät der Klasse B.

Die meisten Dell-Computersysteme sind für Umgebungen der Klasse B zugelassen. Um die EMI-Klassifikation Ihres Systems oder Geräts zu bestimmen, lesen Sie die folgenden Abschnitte, die auf die Bestimmungen jeder Behörde Bezug nehmen. Jeder Abschnitt bietet landesspezifische Informationen zur EMV/EMI bzw. Produktsicherheit.

FCC-Hinweise (nur USA)

Die meisten Dell-Computersysteme sind von der Federal Communications Commission (FCC, US-Behörde für das Fernmeldewesen) als digitale Geräte der Klasse B klassifiziert. Werden bestimmte Ausstattungsoptionen hinzugefügt, müssen einige Systeme allerdings möglicherweise der Klasse A zugerechnet werden. Um die Klassifikation Ihres Computersystems zu ermitteln, prüfen Sie alle FCC-Registrierungsschilder unter dem Computer oder auf der Rückseite des Computers, auf den Montageblechen der Karten sowie auf den Karten selbst. Findet sich auch nur auf einem der Schilder die Bezeichnung Klasse A, so gilt das gesamte System als digitales Gerät der Klasse A. Wenn *alle* Schilder die FCC-Bezeichnung Klasse B tragen, was entweder aus der FCC-ID oder dem FCC-Logo, (**FC**), hervorgeht, gilt das System als digitales Gerät der Klasse B.

Nach der Bestimmung der FCC-Klassifizierung Ihres Systems lesen Sie bitte die entsprechende FCC-Mitteilung. Beachten Sie, daß nach den FCC-Bestimmungen bei Änderungen oder Modifikationen, die nicht ausdrücklich von der Dell Computer Corporation zugelassen wurden, Ihre Betriebserlaubnis für das Gerät entzogen werden kann.

Dieses Gerät entspricht Teil 15 der FCC-Bestimmungen. Der Betrieb des Geräts unterliegt den beiden folgenden Bedingungen:

- Dieses Gerät darf keine gefährdenden Störungen verursachen.
- Dieses Gerät muß jede empfangene Störung akzeptieren, einschließlich einer Störung, die einen ungewünschten Betrieb erzeugen könnte.

Klasse A

Dieses Gerät wurde getestet und entspricht den in Teil 15 der FCC-Bestimmungen für digitale Geräte der Klasse A festgelegten Grenzwerten. Diese Werte sollen einen angemessenen Schutz vor schädlichen Störungen gewährleisten, wenn das Gerät in einer gewerblichen Umgebung betrieben wird. Dieses Gerät erzeugt und verwendet Hochfrequenzenergie und kann diese abstrahlen. Wird das Gerät nicht entsprechend der Bedienungsanleitung des Herstellers installiert und verwendet, kann es Fernmeldeeinrichtungen stören. Beim Betrieb dieses Geräts in Wohngebieten können Störungen auftreten. In diesem Fall müssen Sie die Störungen auf eigene Kosten beseitigen.

Klasse B

Dieses Gerät wurde getestet und entspricht den in Teil 15 der FCC-Bestimmungen für digitale Geräte der Klasse B festgelegten Werten. Diese Werte sollen einen angemessenen Schutz vor Störungen in Wohngebieten gewährleisten. Dieses Gerät erzeugt und verwendet Hochfrequenzenergie und kann diese abstrahlen. Wird das Gerät nicht entsprechend der Bedienungsanleitung des Herstellers installiert und verwendet, kann es Fernmeldeeinrichtungen stören. Es wird jedoch nicht garantiert, daß Störungen in einer bestimmten Einrichtung nicht auftreten sollten. Wenn dieses Gerät gefährdende Störungen beim Radio- oder Fernsehempfang verursachen sollte (was durch Ein- und Ausschalten des Gerätes festgestellt werden kann), werden Sie dazu aufgefordert, die Störungen durch eine oder mehrere der folgenden Maßnahmen zu beheben:

- Die Empfangsantenne neu ausrichten oder an einem anderen Ort aufstellen.
- Den Abstand zwischen Gerät und Empfänger vergrößern.
- Das Gerät an eine Steckdose in einem anderen Stromkreis als das Empfangsgerät anschließen.
- Wenden Sie sich an den Händler oder an einen erfahrenen Radio- und Fernsehtechniker.

Auf dem Gerät oder den Geräten, die in diesem Dokument behandelt werden, finden Sie entsprechend den FCC-Bestimmungen die folgenden Informationen:

- Modellnummer: PRX
- Firmenname: Dell Computer Corporation,
EMC Engineering Department,
One Dell Way,
Round Rock, Texas 78682 USA
Tel.: 001-512-338-4400

IC-Hinweis (nur Kanada)

Die meisten Dell-Computersysteme (und andere digitale Geräte von Dell) sind nach Industry Canada (IC) Interference Causing Equipment Standard Nr. 3 (ICES-003) als digitale Geräte der Klasse B klassifiziert. Um festzustellen, welche Klassifizierung (Klasse A oder B) für Ihr Computersystem (oder andere digitale Geräte von Dell) gilt, prüfen Sie alle Registrierungsschilder unten oder auf der Rückseite des Computers (oder digitalen Geräts). Auf einem dieser Schilder finden Sie die Bezeichnung „IC Class A ICES-003“ oder „IC Class B ICES-003“. Zu beachten: Die Industry Canada-Bestimmungen sehen vor, daß Ihnen bei Änderungen oder Modifizierungen, die nicht ausdrücklich von der Dell Computer Corporation genehmigt wurden, Ihre Betriebserlaubnis für das Gerät entzogen werden kann.

Dieses digitale Gerät der Klasse B (oder Klasse A, falls so auf dem Registrierungsschild vermerkt) erfüllt die Anforderungen der kanadischen Bestimmungen für Störungen verursachende Geräte.

Cet appareil numérique de la Classe B (ou Classe A, si ainsi indiqué sur l'étiquette d'enregistrement) respecte toutes les exigences du Règlement sur le Matériel Brouilleur du Canada.

CE-Hinweis (Europäische Union)

Die Kennzeichnung durch das Symbol **CE** zeigt an, daß dieses Dell-System der EMV-Richtlinie und der Richtlinie für Niederspannungsgeräte (Low Voltage Directive) der Europäischen Gemeinschaft entspricht. Die Kennzeichnung weist darauf hin, daß dieses System von Dell den folgenden technischen Normen entspricht:

- EN 55022 – „Grenzwerte und Meßverfahren der HF-Charakteristiken für Geräte der Informationstechnik“.
- EN 50082-1: 1992 – „Elektromagnetische Verträglichkeit – Fachgrundnorm Störfestigkeit Teil 1: Wohnbereich, Geschäfts- und Gewerbebereich sowie Kleinbetriebe“.
- EN 60950 – „Sicherheit von Einrichtungen der Informationstechnik“.

HINWEIS: EN 55022 Grenzwert-Anforderungen sehen zwei Klassifikationen vor:

- *Klasse A ist für typische gewerbliche Umgebungen vorgesehen.*
- *Klasse B ist für typische häusliche Umgebungen vorgesehen.*

Dieses Dell-Gerät ist für die Verwendung in einer typisch häuslichen Umgebung der Klasse B vorgesehen.

Eine „Konformitätserklärung“ in Übereinstimmung mit den oben angeführten Standards ist abgegeben worden und kann bei Dell Products Europe BV, Limerick, Irland, eingesehen werden.



EN 55022-Konformität (nur Tschechische Republik)

Dieses Gerät entspricht Klasse B, wie in EN 55022 beschrieben, soweit es nicht ausdrücklich als Gerät der Klasse A auf dem Etikett mit den technischen Daten gekennzeichnet ist. Folgende Aussagen gelten für Geräte der Klasse A gemäß EN 55022 (Schutzradius bis zu 30 Meter). Der Benutzer des Geräts ist verpflichtet, alles Notwendige zu unternehmen, um Geräte zu entfernen, die Telekommunikationsgeräte oder andere Geräte stören.

Pokud není na typovém štítku počítače uvedeno, že spadá do třídy A podle EN 55022, spadá automaticky do třídy B podle EN 55022. Pro zařízení zařazená do třídy A (ochranné pásmo 30m) podle EN 55022 platí následující. Dojde-li k rušení telekomunikačních nebo jiných zařízení, je uživatel povinen provést taková opatření, aby rušení odstranil.

VCCI-Hinweis (nur Japan)

Die meisten Dell-Computersysteme sind vom Voluntary Control Council for Interference (VCCI, Freiwilliger Kontrollrat für Störungen) als Datenverarbeitungsgeräte (ITE) der Klasse B klassifiziert. Der Einschluß gewisser Optionen ändert die Klassifizierung einer Reihe von Konfigurationen jedoch zu Klasse A. Alle in dem Computer installierten bzw. angeschlossenen ITE, einschließlich Peripheriegeräte, Erweiterungskarten, Drucker, E/A-Geräte, Monitore usw., sollten einer der beiden elektromagnetischen Klassifizierungen (A oder B) entsprechen.

Um herauszufinden, welcher Klasse Ihr Computersystem zugehörig ist, untersuchen Sie alle Strichcode-Etiketten und Symbolkennzeichnungen auf der Rückseite des Computers, auf den Montageblechen der Karten und auf den Karten selbst (Siehe Abbildung 3-7 und 3-8). Nach der Bestimmung der VCCI-Klassifizierung Ihres Systems lesen Sie bitte die entsprechende VCCI-Mitteilung.

ITE der Klasse A

この装置は、情報処理装置等電波障害自主規制協議会 (VCCI) の基準に基づくクラス A 情報技術装置です。この装置を家庭環境で使用すると電波妨害を引き起こすことがあります。この場合には使用者が適切な対策を講ずるよう要求されることがあります。

Dies ist ein Produkt der Klasse A nach der vom VCCI für Datenverarbeitungsgeräte festgelegten Norm. Wird dieses Gerät in einer häuslichen Umgebung eingesetzt, kann der Radioempfang gestört werden. Der Benutzer hat in diesem Fall die entsprechenden Maßnahmen zur Behebung dieser Störungen zu treffen.

VCCI-A

Abbildung 3-7. ITE-Registrierungsmarkierung für VCCI-Klasse A

ITE der Klasse B

この装置は、情報処理装置等電波障害自主規制協議会（VCCI）の基準に基づくクラス B 情報技術装置です。この装置は家庭環境で使用することを目的としていますが、ラジオやテレビジョン受信機に近接して使用されると、受信障害を引き起こすことがあります。
取扱説明書に従って正しい取り扱いをしてください。

Dies ist ein Produkt der Klasse B nach der vom VCCI für Datenverarbeitungsgeräte festgelegten Norm. Wird das Gerät in einer häuslichen Umgebung in der Nähe eines Radio- oder Fernsehempfängers eingesetzt, können Hochfrequenzstörungen auftreten. Beachten Sie bei der Aufstellung und dem Einsatz des Geräts die Anweisungen der Bedienungsanleitung.



Abbildung 3-8. VCCI-Normierungsmarke für Datenverarbeitungsgeräte der Klasse B

MOC-Hinweis (nur Südkorea)

Um festzustellen, welche Klassifizierung (Klasse A oder B) für Ihr Computersystem (oder andere digitale Geräte von Dell) gilt, prüfen Sie alle Registrierungsschilder des Südkoreanischen Ministeriums für das Fernmeldewesen (MOC) unten oder auf der Rückseite des Computers (oder eines anderen digitalen Geräts von Dell). Das Etikett befindet sich möglicherweise nicht neben anderen Bestimmungskennzeichnungen auf Ihrem Gerät. Der englische Text „EMI (A)“ für Produkte der Klasse A oder „EMI (B)“ für Produkte der Klasse B steht in der Mitte des MOC-Schildes (siehe Abbildungen 3-9 und 3-10).



HINWEIS: MOC Grenzwert-Anforderungen sehen zwei Klassifikationen vor:

- *Geräte der Klasse A sind für gewerbliche Zwecke bestimmt.*
- *Geräte der Klasse B sind für private / nicht-kommerzielle Zwecke bestimmt.*

Gerät der Klasse A

장치 종류	사용자 안내문
A 급 기기	이 장치는 업무용으로 전자파 적합등록을 한 장치이오니 판매자 또는 사용자는 이 점을 주의하시기 바라며 만약 잘못 판매 또는 구입하였을 때에는 가정용으로 교환하시기 바랍니다.

Zu beachten: Dieses Gerät wurde im Hinblick auf elektromagnetische Interferenz für gewerbliche Zwecke freigegeben. Wenn dieses Gerät nicht für die gewünschte Verwendung tauglich ist, können Sie es durch ein Gerät für nicht-kommerzielle Zwecke ersetzen.

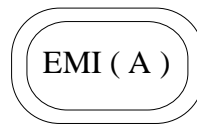


Abbildung 3-9. MOC Klasse A-Bestimmungskennzeichnung

Gerät der Klasse B

Zu beachten: Dieses Gerät wurde für nicht-kommerzielle Zwecke freigegeben und darf in allen Umgebungen, einschließlich Wohngebunden, eingesetzt werden.

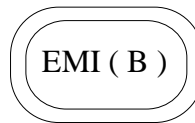


Abbildung 3-10. MOC Klasse B-Bestimmungskennzeichnung

Hinweis des Center for Testing and Certification (Polen)

Das Gerät muß über eine Steckdose mit integrierter Schutzschaltung (Steckdose mit drei Kontakten) gespeist werden. Alle Geräte, die gemeinsam genutzt werden (Computer, Monitor, Drucker usw.) sollten an dieselbe Stromversorgung angeschlossen sein.

Der Phasenleiter der Elektroinstallation in diesem Raum sollte über Kurzschlußschutz in Form einer Sicherung mit maximalem Nennstrom von 16 Ampere (A) verfügen.

Um die Geräte vollständig auszuschalten, muß das Netzkabel aus der Steckdose gezogen werden. Die Steckdose sollte sich in der Nähe der Geräte befinden und leicht zugänglich sein.

Die Schutzmarke „B“ besagt, daß das Gerät die Schutzanforderungen der Normen PN-93/T-42107 und PN-EN55022:1996 erfüllt.

Wymagania Polskiego Centrum Badań i Certyfikacji

Urządzenie powinno być zasilane z gniazda z przyłączonym obwodem ochronnym (gniazdo z kołkiem). Współpracujące ze sobą urządzenia (komputer, monitor, drukarka) powinny być zasilane z tego samego źródła.

Instalacja elektryczna pomieszczenia powinna zawierać w przewodzie fazowym rezerwową ochronę przed zwarciami, w postaci bezpiecznika o wartości znamionowej nie większej niż 16A (amperów).

W celu całkowitego wyłączenia urządzenia z sieci zasilania, należy wyjąć wtyczkę kabla zasilającego z gniazdka, które powinno znajdować się w pobliżu urządzenia i być łatwo dostępne.

Znak bezpieczeństwa "B" potwierdza zgodność urządzenia z wymaganiami bezpieczeństwa użytkowania zawartymi w PN-93/T-42107 i PN-EN55022:1996.

Pozostałe instrukcje bezpieczeństwa

- **Nie należy używać wtyczek adapterowych lub usuwać kołka obwodu ochronnego z wtyczki. Jeżeli konieczne jest użycie przedłużacza to należy użyć przedłużacza 3-żyłowego z prawidłowo połączonym przewodem ochronnym.**
- **System komputerowy należy zabezpieczyć przed nagłymi, chwilowymi wzrostami lub spadkami napięcia, używając eliminatora przepięć, urządzenia dopasowującego lub bezzakłóceniewego źródła zasilania.**
- **Należy upewnić się, aby nic nie leżało na kablach systemu komputerowego, oraz aby kable nie były umieszczone w miejscu, gdzie można byłoby na nie nadeptywać lub potykać się o nie.**
- **Nie należy rozlewać napojów ani innych płynów na system komputerowy.**
- **Nie należy wpychać żadnych przedmiotów do otworów systemu komputerowego, gdyż może to spowodować pożar lub porażenie prądem, poprzez zwarcie elementów wewnętrznych.**
- **System komputerowy powinien znajdować się z dala od grzejników i źródeł ciepła. Ponadto, nie należy blokować otworów wentylacyjnych. Należy unikać kładzenia luźnych papierów pod komputer oraz umieszczania komputera w ciasnym miejscu bez możliwości cyrkulacji powietrza wokół niego.**

NOM-Informationen (nur Mexiko)

Die folgenden Informationen zu den in diesem Dokument beschriebenen Geräten dienen der Einhaltung der mexikanischen Normen (NOM):

Exporteur:	Dell Computer Corporation One Dell Way Round Rock, TX 78682
Importeur:	Dell Computer de México, S.A. de C.V. Rio Lerma No. 302 - 4° Piso Col. Cuauhtemoc 16500 México, D.F.
Versandadresse:	Dell Computer de México, S.A. de C.V. al Cuidado de Kuehne & Nagel de México S. de R.I. Avenida Soles No. 55 Col. Peñon de los Baños 15520 México, D.F.
Netzspannung:	100–240 VAC
Frequenz:	60–50 Hz
Stromverbrauch:	1,5 A

Información para NOM (únicamente para México)

La información siguiente se proporciona en el dispositivo o en los dispositivos descritos en este documento, en cumplimiento con los requisitos de la Norma Oficial Mexicana (NOM):

Exportador:	Dell Computer Corporation One Dell Way Round Rock, TX 78682
Importador:	Dell Computer de México, S.A. de C.V. Río Lerma No. 302 - 4° Piso Col. Cuauhtemoc 16500 México, D.F.
Embarcar a:	Dell Computer de México, S.A. de C.V. al Cuidado de Kuehne & Nagel de México S. de R.l. Avenida Soles No. 55 Col. Peñon de los Baños 15520 México, D.F.
Tensión alimentación:	100–240 VAC
Frecuencia:	60–50 Hz
Consumo de corriente:	1,5 A

Gewährleistung und Rücknahmegarantie

Eingeschränkte Dreijahresgarantie (nur USA)

Die Hardwareprodukte der Dell Computer Corporation („Dell“) werden aus Teilen und Komponenten hergestellt, die gemäß den üblichen Industrienormen als neu zu bezeichnen sind. Dell garantiert, daß die hergestellten Hardwareprodukte frei von Material- oder Herstellungsfehlern sind. Der Zeitraum der eingeschränkten Garantie umfaßt drei Jahre ab Rechnungsdatum und deckt folgende Schäden:

Transportschäden durch den Transport zum Endkunden sind in die Garantie eingeschlossen. Im Rahmen der eingeschränkten Garantie bestehen keine Ansprüche für Schäden, die durch äußere Einflüsse entstanden sind. Dazu zählen Unfall, Mißbrauch, falscher Gebrauch, Probleme mit der Stromversorgung, nicht von Dell autorisierte Wartungsarbeiten, Gebrauch entgegen den Produkthanweisungen, nicht durchgeführte vorbeugende Wartung und durch nicht von Dell gelieferte Teile verursachte Probleme.

Diese eingeschränkte Garantie gilt nicht für Teile, die zu einer der folgenden Kategorien gehören: Software, externe Geräte (außer, wenn ausdrücklich angegeben), Zubehör oder sonstige Teile, die zu einem Dell-System hinzugefügt werden, nachdem es das Werk verlassen hat, Zubehör oder sonstige Teile, die von der Dell System-Integrationsabteilung zu einem Dell-System hinzugefügt werden, Zubehör oder sonstige Teile, die nicht im Dell-Werk installiert worden sind oder DellWare™-Produkte. Diese Garantie gilt für Monitore, Tastaturen und Mäuse, die den Markennamen Dell tragen oder in der Standard-Preisliste von Dell enthalten sind. Für alle anderen Monitore, Tastaturen und Mäuse (einschließlich über das Dellware-Programm erworbener Artikel) bestehen keine Ansprüche im Rahmen der eingeschränkten Garantie. Für Batterien in tragbaren Computern gilt die Garantie nur für das erste Jahr des Garantiezeitraums.

Garantieansprüche während des ersten Jahres

Während eines einjährigen Zeitraums vom Rechnungsdatum an gerechnet repariert oder ersetzt Dell die Produkte, für welche die vorliegende Garantie gilt, wenn sie an eine zuständige Betriebsstätte der Firma Dell zurückgegeben werden. Um die Garantieleistung in Anspruch zu nehmen, müssen Sie die technische Kundenunterstützung von Dell innerhalb des Garantiezeitraums anrufen. Im Kapitel „Weitere Hilfe“ in der Fehlerbeseitigungs-Dokumentation für Ihr System oder, bei einigen Systemen, im Abschnitt „So erreichen Sie Dell“ im Online-Handbuch für Ihr System, finden Sie die geeignete Telefonnummer, unter der Sie den Kundendienst erreichen. Wenn Garantieleistungen erforderlich sind, erhalten Sie von Dell eine Rücksendegenehmigungsnummer. Sie müssen die Produkte in der Originalverpackung oder einer entsprechenden Verpackung zurückschicken und die Versandkosten tragen. Außerdem ist die Lieferung zu versichern, oder Sie übernehmen das Risiko, wenn die Produkte während des Versandes verlorengehen bzw. beschädigt werden. Dell trägt die Kosten für die Rücksendung von reparierten oder ersetzten Produkten an Adressen in den Vereinigten Staaten (Festland). Die Kosten für Lieferungen an andere Orte sind vom Empfänger zu tragen.



HINWEIS: Erstellen Sie Sicherungskopien der Dateien auf dem (den) Festplattenlaufwerk(en) und auf allen anderen Speichergeräten des Produkts, bevor Sie das (die) Produkt(e) an Dell schicken. Nehmen Sie alle entfernbaren Datenträger wie Disketten, CDs oder PC-Karten aus dem System. Dell übernimmt keine Haftung für Daten- oder Softwareverlust.

Dell ist Eigentümer aller Teile, die im Rahmen der Garantie aus reparierten Produkten ausgebaut wurden. Dell verwendet für Garantiereparaturen sowie die Herstellung von Ersatzprodukten neue und erneuerte Teile von verschiedenen Herstellern. Durch die Reparatur eines Produktes durch Dell bzw. dessen Ersatz wird die Garantiefrist nicht verlängert.

Garantieansprüche während des zweiten und dritten Jahres

Während des zweiten und dritten Jahres des Garantiezeitraums stellt Dell Ersatzteile für die eigenen Hardwareprodukte, wenn ein Teil im Rahmen dieser Garantie ersetzt werden muß. Dabei muß das zu ersetzende Teil an Dell zurückgegeben werden, und es gilt die am Tag des Austauschs gültige Exchange Policy (Richtlinien für den Austausch von Produkten) von Dell. Die technische Kundenunterstützung von Dell muß über jeden Hardwarefehler informiert werden, bevor Dell die Zustimmung geben kann, daß ein Teil ersetzt oder ein Ersatzteil zugeschickt wird. Dell schickt Ersatzteile (frachtfrei) an Adressen in den Vereinigten Staaten (Festland) zu. Die Kosten für Lieferungen an andere Orte sind vom Empfänger zu tragen. Dell fügt jedem Ersatzteil einen bereits frankierten Rücksendebehälter bei, den Sie zur Rücksendung des ausgetauschten Teils verwenden können. Bei den Ersatzteilen handelt es sich um neue oder überholte Teile. Bei den Ihnen von Dell zugesendeten Ersatzteilen kann es sich unter Umständen um Teile unterschiedlicher Hersteller handeln. Für das Ersatzteil gilt der verbleibende Garantiezeitraum.

Sie müssen die Kosten für das Ersatzteil tragen, wenn das ersetzte Teil nicht an Dell zurückgeschickt wird. Die Vorgehensweise für die Rückgabe der ersetzten Teile und Ihre Verpflichtung, die Kosten für die Ersatzteile zu tragen, wenn die ersetzten Teile nicht an Dell zurückgeschickt werden, entsprechen den am Tage des Austauschs gültigen Rückgabebestimmungen von Dell.

Sie übernehmen die volle Verantwortung für Ihre Software und Daten. Dell ist nicht verpflichtet, Sie darauf hinzuweisen oder daran zu erinnern, Sicherungskopien zu erstellen und andere Sicherheitsvorkehrungen zu treffen.

Allgemeine Bestimmungen

DIESE EINGESCHRÄNKTE GARANTIE GIBT IHNEN SPEZIELLE GESETZLICHE RECHTE, DIE JE NACH STAAT (ODER JE NACH RECHTSPRECHUNG) UNTERSCHIEDLICH SEIN KÖNNEN. DELL HAFTET FÜR HARDWARESTÖRUNGEN UND -MÄNGEL NUR IM HINBLICK AUF REPARATUR UND AUSTAUSCH ENTSPRECHEND DEN AUSSAGEN DER VORLIEGENDEN GARANTIEERKLÄRUNGEN. ALLE EXPLIZITEN ODER IMPLIZITEN GARANTIEEN FÜR DAS PRODUKT, EINSCHLIESSLICH JEDOCH NICHT BEGRENZT AUF JEGLICHE IMPLIZITE GARANTIEEN VON UND BEDINGUNGEN FÜR HANDELSÜBLICHE BRAUCHBARKEIT UND TAUGLICHKEIT FÜR EINEN BESTIMMTEN ZWECK, SIND IN IHRER DAUER AUF DEN OBEN FESTGELEGTE GARANTIEZEITRAUM BEGRENZT, UND ES KÖNNEN KEINERLEI GARANTIEEN, WEDER EXPLIZIT NOCH IMPLIZIT, NACH ABLAUF DIESES ZEITRAUMES GELTEND GEMACHT WERDEN.

IN EINIGEN STAATEN (ODER RECHTSPRECHUNGEN) SIND KEINE EINSCHRÄNKUNGEN FÜR DIE GÜLTIGKEIT VON IMPLIZITEN GARANTIEEN ZULÄSSIG; DESHALB GILT DIE OBEN AUFGEFÜHRTE EINSCHRÄNKUNG MÖGLICHERWEISE NICHT FÜR SIE.

DELL ÜBERNIMMT KEINERLEI HAFTUNG ÜBER DIE IN DIESER ERKLÄRUNG DER EINGESCHRÄNKTE GARANTIE ZUGESTANDENEN ABHILFEMASSNAHMEN HINAUS, ODER IRGEND EINE HAFTUNG FÜR ZUFÄLLIGE ODER INDIREKTE SCHÄDEN. DIES SCHLIESST OHNE EINSCHRÄNKUNG JEDE HAFTUNG FÜR PRODUKTE, DIE NICHT ZUM GEBRAUCH VERFÜGBAR SIND, ODER DEN VERLUST VON DATEN ODER SOFTWARE MIT EIN.

IN EINIGEN STAATEN (ODER RECHTSPRECHUNGEN) IST KEIN AUSSCHLUSS ODER KEINE EINSCHRÄNKUNG FÜR FOLGESCHÄDEN ZULÄSSIG; DESHALB GILT DIE OBEN AUFGEFÜHRTE EINSCHRÄNKUNG MÖGLICHERWEISE NICHT FÜR SIE.

Diese Bestimmungen gelten nur für die eingeschränkte Dreijahresgarantie von Dell. Die Bestimmungen des Servicevertrages für Ihr System finden Sie auf Ihrer Rechnung oder im Servicevertrag, den Sie getrennt erhalten haben.

Wenn Dell ein System oder ein Teil ersetzt, unterliegt der Austausch den am Tag des Austauschs gültigen Rückgabebestimmungen von Dell. In jedem Fall, in dem Dell eine Rücksendegenehmigungsnummer vergibt, muß Dell das (die) zu reparierende(n) Produkt(e) vor Ablauf des Garantiezeitraums erhalten, damit die Reparatur(en) durch die eingeschränkte Garantie gedeckt ist bzw. sind.



HINWEIS: Wenn Sie anstelle der oben beschriebenen standardmäßigen eingeschränkten Dreijahresgarantie eine der verfügbaren Garantie- und Serviceoptionen wählen, wird diese Option in Ihrer Rechnung aufgeführt.

Eingeschränkte Dreijahresgarantie (nur Kanada)

Die Hardwareprodukte der Dell Computer Corporation („Dell“) werden aus Teilen und Komponenten hergestellt, die gemäß den üblichen Industrienormen als neu zu bezeichnen sind. Dell garantiert, daß die hergestellten Hardwareprodukte frei von Material- oder Herstellungsfehlern sind. Der Garantiezeitraum umfaßt drei Jahre ab Rechnungsdatum und deckt folgende Schäden:

Transportschäden durch den Transport zum Endkunden sind in die Garantie eingeschlossen. Im Rahmen der eingeschränkten Garantie bestehen keine Ansprüche für Schäden, die durch äußere Einflüsse entstanden sind. Dazu zählen Unfall, Mißbrauch, falscher Gebrauch, Probleme mit der Stromversorgung, nicht von Dell autorisierte Wartungsarbeiten, Gebrauch entgegen den Produkthanweisungen, nicht durchgeführte vorbeugende Wartung und durch nicht von Dell gelieferte Teile verursachte Probleme.

Diese eingeschränkte Garantie gilt nicht für Teile, die zu einer der folgenden Kategorien gehören: Software, externe Geräte (außer, wenn ausdrücklich angegeben), Zubehör oder sonstige Teile, die zu einem Dell-System hinzugefügt werden, nachdem es das Werk verlassen hat, Zubehör oder sonstige Teile, die von der Dell System-Integrationsabteilung zu einem Dell-System hinzugefügt werden, Zubehör oder sonstige Teile, die nicht im Dell-Werk installiert worden sind, oder DellWare-Produkte. Diese Garantie gilt für Monitore, Tastaturen und Mäuse, die den Markennamen Dell tragen oder in der Standard-Preisliste von Dell enthalten sind. Für alle anderen Monitore, Tastaturen und Mäuse (einschließlich über das Dellware-Programm erworbener Artikel) bestehen keine Ansprüche im Rahmen der eingeschränkten Garantie. Für Batterien in tragbaren Computern gilt die Garantie nur für das erste Jahr des Garantiezeitraums.

Garantieansprüche während des ersten Jahres

Während eines einjährigen Zeitraums vom Rechnungsdatum an gerechnet repariert oder ersetzt Dell die Produkte, für welche die vorliegende Garantie gilt, wenn sie an eine zuständige Betriebsstätte der Firma Dell zurückgegeben werden. Um die Garantieleistung in Anspruch zu nehmen, müssen Sie die technische Kundenunterstützung von Dell innerhalb des Garantiezeitraums anrufen. Im Kapitel „Weitere Hilfe“ in der Fehlerbeseitigungs-Dokumentation für Ihr System oder, bei einigen Systemen, im Abschnitt „So erreichen Sie Dell“ im Online-Handbuch für Ihr System, finden Sie die geeignete Telefonnummer, unter der Sie den Kundendienst erreichen. Wenn Garantieleistungen erforderlich sind, erhalten Sie von Dell eine Rücksendegenehmigungsnummer. Sie müssen die Produkte in der Originalverpackung oder einer entsprechenden Verpackung zurückschicken und die Versandkosten tragen. Außerdem ist die Lieferung zu versichern, oder Sie übernehmen das Risiko, wenn die Produkte während des Versandes verlorengehen bzw. beschädigt werden. Dell sendet die reparierten oder ersetzten Produkte gegebenenfalls versandkostenfrei an Sie zurück, sofern sich Ihre Adresse innerhalb Kanadas befindet. Die Kosten für Lieferungen an andere Orte sind vom Empfänger zu tragen.



HINWEIS: Erstellen Sie Sicherungskopien der Dateien auf dem (den) Festplattenlaufwerk(en) und auf allen anderen Speichergeräten des Produkts, bevor Sie das (die) Produkt(e) an Dell schicken. Nehmen Sie alle entfernbaren Datenträger wie Disketten, CDs oder PC-Karten aus dem System. Dell übernimmt keine Haftung für Daten- oder Softwareverlust.

Dell ist Eigentümer aller Teile, die im Rahmen der Garantie aus reparierten Produkten ausgebaut wurden. Dell verwendet für Garantiereparaturen sowie die Herstellung von Ersatzprodukten neue und erneuerte Teile von verschiedenen Herstellern. Durch die Reparatur eines Produktes durch Dell bzw. dessen Ersatz wird die Garantiefrist nicht verlängert.

Garantieansprüche während des zweiten und dritten Jahres

Während des zweiten und dritten Jahres des Garantiezeitraums stellt Dell Ersatzteile für die eigenen Hardwareprodukte, wenn ein Teil im Rahmen dieser Garantie ersetzt werden muß. Dabei muß das zu ersetzende Teil an Dell zurückgegeben werden, und es gilt die am Tag des Austauschs gültige Exchange Policy (Richtlinien für den Austausch von Produkten) von Dell. Die technische Kundenunterstützung von Dell muß über jeden Hardwarefehler informiert werden, bevor Dell die Zustimmung geben kann, daß ein Teil ersetzt oder ein Ersatzteil zugeschickt wird. Dell schickt Ersatzteile (frachtfrei) ggf. an Adressen in Kanada zu. Die Kosten für Lieferungen an andere Orte sind vom Empfänger zu tragen. Dell fügt jedem Ersatzteil einen bereits frankierten Rücksendebehälter bei, den Sie zur Rücksendung des ausgetauschten Teils verwenden können. Bei den Ersatzteilen handelt es sich um neue oder überholte Teile. Bei den Ihnen von Dell zugesendeten Ersatzteilen kann es sich unter Umständen um Teile unterschiedlicher Hersteller handeln. Für das Ersatzteil gilt der verbleibende Garantiezeitraum.

Sie müssen die Kosten für das Ersatzteil tragen, wenn das ersetzte Teil nicht an Dell zurückgeschickt wird. Die Vorgehensweise für die Rückgabe der ersetzten Teile und Ihre Verpflichtung, die Kosten für die Ersatzteile zu tragen, wenn die ersetzten Teile nicht an Dell zurückgeschickt werden, entsprechen den am Tage des Austauschs gültigen Rückgabebestimmungen von Dell.

Sie übernehmen die volle Verantwortung für Ihre Software und Daten. Dell ist nicht verpflichtet, Sie darauf hinzuweisen oder daran zu erinnern, Sicherungskopien zu erstellen und andere Sicherheitsvorkehrungen zu treffen.

Allgemeine Bestimmungen

DELL GIBT KEINE AUSDRÜCKLICHEN GARANTIE, NOCH LEGT DELL BEDINGUNGEN FEST, DIE ÜBER DIEJENIGEN IN DIESER ERKLÄRUNG DER EINGESCHRÄNKTEN GARANTIE HINAUSGEHEN. DELL LEHNT ALLE ANDEREN EXPLIZITEN ODER IMPLIZITEN GARANTIE UND BEDINGUNGEN AB, EINSCHLIESSLICH, JEDOCH NICHT BEGRENZT AUF JEDWACHE IMPLIZITE GARANTIE VON UND BEDINGUNGEN FÜR HANDELSÜBLICHE BRAUCHBARKEIT UND TAUGLICHKEIT FÜR EINEN BESTIMMTEN ZWECK. IN EINIGEN STAATEN (ODER RECHTSPRECHUNGSSYSTEMEN) SIND KEINE EINSCHRÄNKUNGEN FÜR IMPLIZITE GARANTIE ODER BEDINGUNGEN ZULÄSSIG; DESHALB GILT DIE OBEN AUFGEFÜHRTE EINSCHRÄNKUNG MÖGLICHERWEISE NICHT FÜR SIE.

DELL HAFTET FÜR HARDWARESTÖRUNGEN UND -MÄNGEL NUR IM HINBLICK AUF REPARATUR UND AUSTAUSCH ENTSPRECHEND DEN AUSSAGEN DER VORLIEGENDEN GARANTIEERKLÄRUNGEN. AUS DIESEN GARANTIEERKLÄRUNGEN ERGEBEN SICH FÜR SIE BESTIMMTE RECHTE, UND SIE VERFÜGEN UNTER UMSTÄNDEN NOCH ÜBER WEITERE RECHTE, DIE SICH JE NACH STAAT (ODER RECHTSSYSTEM) UNTERSCHIEDEN KÖNNEN.

DELL ÜBERNIMMT KEINERLEI HAFTUNG ÜBER DIE IN DIESER ERKLÄRUNG DER EINGESCHRÄNKTEN GARANTIE ZUGESTANDENEN ABHILFEMASSNAHMEN HIN-AUS, ODER IRGEND EINE HAFTUNG FÜR ZUFÄLLIGE ODER INDIREKTE SCHÄDEN. DIES SCHLIESST OHNE EINSCHRÄNKUNG JEDE HAFTUNG FÜR PRODUKTE, DIE NICHT ZUM GEBRAUCH VERFÜGBAR SIND, ODER DEN VERLUST VON DATEN ODER SOFTWARE MIT EIN.

IN EINIGEN STAATEN (ODER RECHTSPRECHUNGEN) IST KEIN AUSSCHLUSS ODER KEINE EINSCHRÄNKUNG FÜR FOLGESCHÄDEN ZULÄSSIG; DESHALB GILT DIE OBEN AUFGEFÜHRTE EINSCHRÄNKUNG MÖGLICHERWEISE NICHT FÜR SIE.

Diese Bestimmungen gelten nur für die eingeschränkte Dreijahresgarantie von Dell. Die Bestimmungen des Servicevertrages für Ihr System finden Sie auf Ihrer Rechnung oder im Servicevertrag, den Sie getrennt erhalten haben.

Wenn Dell ein System oder ein Teil ersetzt, unterliegt der Austausch den am Tag des Austauschs gültigen Rückgabebestimmungen von Dell. In jedem Fall, in dem Dell eine Rücksendegenehmigungsnummer vergibt, muß Dell das (die) zu reparierende(n) Produkt(e) vor Ablauf des Garantiezeitraums erhalten, damit die Reparatur(en) durch die eingeschränkte Garantie gedeckt ist bzw. sind.



HINWEIS: Wenn Sie anstelle der oben beschriebenen standardmäßigen eingeschränkten Dreijahresgarantie eine der verfügbaren Garantie- und Serviceoptionen wählen, wird diese Option in Ihrer Rechnung aufgeführt.

30-Tage-Rückgaberecht (nur USA und Kanada)

Wenn Sie als Endverbraucher neue Produkte direkt von Dell erworben haben, können Sie diese innerhalb von 30 Tagen nach Rechnungsdatum zurückgeben und erhalten den Kaufpreis zurück oder eine Gutschrift über den Wert des Produkts. Wenn Sie als Endverbraucher erneuerte Produkte von Dell erworben haben, können Sie diese innerhalb von 14 Tagen nach Rechnungsdatum zurückgeben und erhalten den Kaufpreis zurück oder eine Gutschrift über den Wert des Produkts. In jedem Fall sind in der Rückzahlung oder der Gutschrift keine auf der Rechnung aufgeführten Versand- und Transportkosten enthalten. Wenn Sie die Produkte als Organisation im Rahmen einer schriftlichen Vereinbarung mit Dell erworben haben, können in der Vereinbarung andere als die hier angegebenen Bedingungen für die Rückgabe von Produkten festgelegt sein.

Um die Produkte zurückzugeben, müssen Sie sich bei der Kundenunterstützung von Dell eine Rücksendegenehmigungsnummer geben lassen. Die Rufnummern der Kundenunterstützung finden Sie in Kapitel 5, „Weitere Hilfe“, oder im Abschnitt „So erreichen Sie Dell“ in der *Systemhilfe*. Um die Rückzahlung oder Gutschrift zu beschleunigen, erwartet Dell, daß Sie die Produkte innerhalb von 5 Tagen nach Vergabe der Rücksendegenehmigungsnummer in der Originalverpackung an Dell zurückschicken. Die Versandkosten sind im voraus zu bezahlen, und die Lieferung ist zu versichern. Andernfalls übernehmen Sie das Risiko, wenn die Produkte während des Versandes verlorengehen bzw. beschädigt werden. Die Rückgabe von Software mit Rückzahlung oder Gutschrift ist nur möglich, wenn die versiegelte Verpackung mit der (den) Diskette(n) oder CD(s) nicht geöffnet wurde. Zurückgegebene Produkte müssen sich in einem neuwertigen Zustand befinden, und alle Handbücher, Disketten, CDs, Netzkabel und andere Teile, die im Lieferumfang des Produktes enthalten waren, müssen zusammen mit diesem vollständig zurückgegeben werden. Nur bei der Rückgabe mit Rückzahlung oder Gutschrift von Anwendungssoftware oder eines Betriebssystems, das von Dell installiert wurde, muß das gesamte System mit allen in der Originallieferung enthaltenen Medien und der gesamten Dokumentation zurückgegeben werden.

Das 30-Tage-Rückgaberecht gilt nicht für DellWare-Produkte, die im Rahmen der damals gültigen Rückgabebedingungen von DellWare zurückgegeben werden können. Darüber hinaus können überholte Teile, die im Rahmen des Dell-Ersatzteilverkaufs in Kanada erworben wurden, nicht zurückgegeben werden.

Dell™ Inspiron™

GUIDA DELL'UTENTE DEL REPLICATORE DI PORTA

Note, avvisi e messaggi di attenzione

All'interno della guida, blocchi di testo possono essere evidenziati in grassetto o in corsivo e affiancati da un'icona. Tali blocchi corrispondono a note, avvisi e messaggi di attenzione e rispettano le seguenti convenzioni:



NOTA: la NOTA evidenzia informazioni importanti per un utilizzo ottimale del computer.

AVVISO: un AVVISO può indicare un potenziale danno a livello di hardware o una perdita di dati e consiglia come evitare il problema.



ATTENZIONE: un messaggio di ATTENZIONE indica un potenziale pericolo che, se non evitato, può provocare danni minori o di moderata entità.

**Le informazioni contenute nel presente documento sono soggette a modifiche senza preavviso.
© 1999-2000 Dell Computer Corporation. Tutti i diritti riservati.**

È severamente vietata la riproduzione, con qualsiasi strumento, senza l'autorizzazione scritta di Dell Computer Corporation.

Marchi di fabbrica utilizzati nel presente documento: *Dell*, il logo *DELL*, *BE DIRECT*, *Inspiron* e *DellWare* sono marchi di fabbrica di Dell Computer Corporation; *Microsoft*, *Windows* e *Windows NT* sono marchi depositati di Microsoft Corporation; *3Com* è un marchio depositato di 3Com Corporation.

Altri marchi di fabbrica e nomi commerciali possono essere utilizzati in questo documento sia in riferimento alle aziende che rivendicano il marchio e i nomi che ai prodotti stessi. Dell Computer Corporation nega qualsiasi partecipazione di proprietà relativa a marchi di fabbrica e nomi commerciali diversi da quelli di sua proprietà.

Febbraio 2000 P/N 8498T Rev. A02



Sommario

Connettori di I/O dell'APR	4-1
Controlli e indicatori dell'APR	4-3
Connessione di periferiche esterne all'APR	4-4
Collegamento del computer all'APR	4-4
Inserimento del computer nell'alloggiamento di espansione	4-5
Disinserimento del computer dall'alloggiamento di espansione	4-6
Piedistallo del monitor	4-8
Istruzioni di sicurezza	4-9
Specifiche tecniche	4-11
Avvisi sulle normative	4-13
Avvisi FCC (limitatamente agli Stati Uniti)	4-14
Classe A	4-14
Classe B	4-15
Avviso IC (limitatamente al Canada)	4-15
Avviso CE (Unione Europea)	4-16
Conformità EN 55022 (limitatamente alla Repubblica Ceca)	4-17
Avviso VCCI (limitatamente al Giappone)	4-17
Apparecchiatura informatica di classe A	4-17
Apparecchiatura informatica di Classe B	4-18
Avviso MOC (limitatamente alla Corea del Sud)	4-19
Dispositivo di classe A	4-19
Dispositivo di classe B	4-20
Avviso del centro per i collaudi e le certificazioni della Polonia	4-20
Wymagania Polskiego Centrum BadaŃ i Certyfikacji	4-20
Pozostałe instrukcje bezpieczeŃstwa	4-21
Informazioni NOM (limitatamente al Messico)	4-22
Información para NOM (únicamente para México)	4-23
Garanzia e politica di restituzione	4-24
Garanzia limitata di tre anni (limitatamente agli Stati Uniti)	4-24

Copertura durante il primo anno	4-24
Copertura durante il secondo e il terzo anno	4-25
Disposizioni generali	4-25
Garanzia limitata di tre anni (limitatamente al Canada)	4-26
Copertura durante il primo anno	4-26
Copertura durante il secondo e il terzo anno	4-27
Disposizioni generali	4-27
Politica di restituzione " Soddisfatti o rimborsati" (limitatamente a Stati Uniti e Canada)	4-28

Figure

Figura 4-1. Connettori di I/O sul retro dell'APR	4-8
Figura 4.2. Connettore della linea di uscita audio	4-9
Figura 4.3. Controlli e indicatori	4-9
Figura 4-4. Inserimento del computer nell'alloggiamento di espansione.	4-12
Figura 4-5. Disinserimento del computer dall'alloggiamento di espansione.	4-13
Figura 4-6. APR con il piedistallo del monitor	4-14
Figura 4-7. Marchio di conformità alle normative del VCCI per apparecchiature informatiche di Classe A	4-24
Figura 4-8. Marchio di conformità alle normative del VCCI per apparecchiature informatiche di Classe B	4-24
Figura 4-9. Marchio di conformità alle normative del MOC di Classe A	4-25
Figura 4-10. Marchio di conformità alle normative del MOC di Classe B	4-26

Tabelle

Tabella 4-1. Connettori di I/O esterni	4-2
Tabella 4-2. Specifiche tecniche	4-11



Dell™ Inspiron™

Guida dell'utente del replicatore di porta avanzato

Il replicatore di porta avanzato (APR) consente di integrare il computer in modo rapido e semplice in un ambiente desktop. Utilizzare le istruzioni contenute in questo documento per collegare le periferiche esterne e il computer all'APR.



NOTA: se insieme all'APR è stato fornito un dischetto di aggiornamento del sistema di ingresso/uscita di base (BIOS), utilizzare tale dischetto per aggiornare il BIOS del computer prima di collegarlo all'APR. Per ulteriori istruzioni, consultare la documentazione fornita con il dischetto di aggiornamento del BIOS.

AVVISO: non tentare di sollevare il computer quando è collegato all'APR, in quanto si potrebbe danneggiare il connettore dell'alloggiamento di espansione. Per ulteriori istruzioni, consultare "Disinserimento del computer dall'alloggiamento di espansione" di seguito in questa guida.

Connettori di I/O dell'APR

I connettori di input/output (I/O) sul retro e a lato dell'APR sono identici ai connettori primari presenti sul retro e a lato del computer (vedere le figure 4-1 e 4-2).

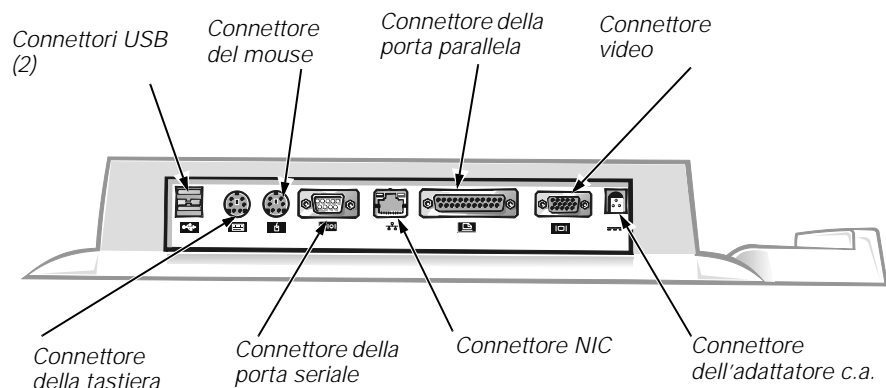


Figura 4-1. Connettori di I/O sul retro dell'APR

Nella tabella 4-1 sono elencate le icone corrispondenti a ogni connettore sul retro dell'APR e il tipo di periferiche esterne che è possibile collegare a ciascun connettore.

Tabella 4-1. Connettori di I/O esterni

Icona del connettore	Descrizione del connettore
	I connettori USB doppi consentono di collegare una o due periferiche USB, ad esempio un mouse USB.
	Il connettore della tastiera consente di collegare una tastiera compatibile PS/2 esterna o un tastierino numerico esterno.
	Il connettore del mouse PS/2 consente di collegare un mouse compatibile PS/2 esterno.
	Il connettore della porta seriale consente di collegare una periferica seriale, ad esempio un mouse seriale o un modem esterno.
	Il connettore NIC consente di collegare un cavo di interfaccia di rete.
	Il connettore della porta parallela consente di collegare una periferica parallela, ad esempio una stampante.
	Il connettore video consente di collegare un monitor esterno.
	Il connettore dell'adattatore c.a. consente di collegare l'adattatore c.a. fornito con l'APR.

NOTA: consultare il glossario nella Guida in linea del sistema per la definizione delle abbreviazioni e degli acronimi usati in questa tabella.

Il connettore della linea di uscita audio si trova sul lato dell'APR (vedere la figura 4-2).

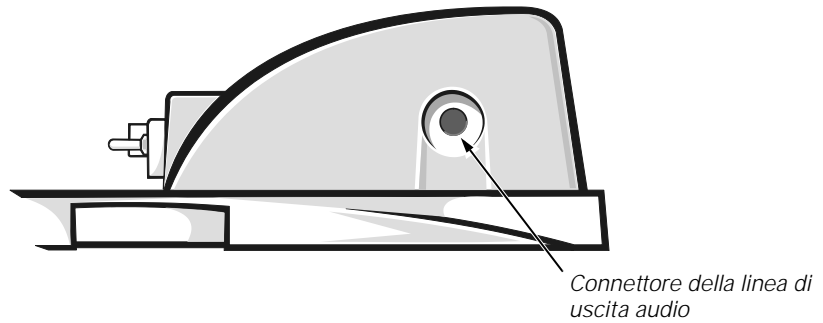


Figura 4.2. Connettore della linea di uscita audio

Controlli e indicatori dell'APR

I controlli e gli indicatori dell'APR sono illustrati nella figura 4-3.

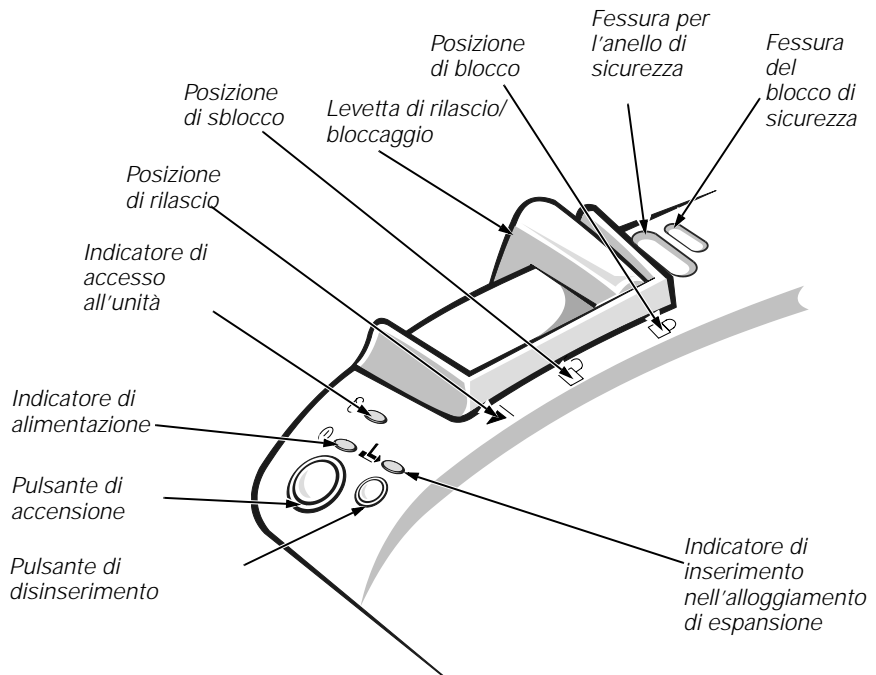


Figura 4.3 Controlli e indicatori

Connessione di periferiche esterne all'APR

Per collegare le periferiche esterne all'APR, seguire la procedura descritta.

1. Vedere la figura 4-1 per collegare le periferiche esterne ai connettori appropriati sul retro dell'APR.



NOTA: se il connettore del cavo della periferica esterna presenta viti a testa zigrinata, serrarle adeguatamente per garantire un collegamento corretto.

Per informazioni dettagliate sull'uso delle periferiche esterne con il computer, consultare "Connessione di periferiche esterne" nella *Guida in linea* del sistema.

2. Collegare le periferiche esterne a una presa elettrica, se necessario.

Collegamento del computer all'APR

È necessario collegare l'adattatore c.a. all'APR prima di inserire il computer nell'alloggiamento di espansione e di accenderlo. L'adattatore c.a. alimenta sia l'APR che il computer. Eventuali batterie installate nel computer si ricaricano durante l'utilizzo dell'APR.

AVVISO: utilizzare sempre l'adattatore c.a. Dell fornito con l'APR. Verificare che sotto l'adattatore c.a. sia riportato il numero di modello PA-6. L'uso di un adattatore c.a. diverso disponibile in commercio oppure fornito con modelli di computer Dell precedenti potrebbe danneggiare l'APR o il computer.

Prima di collegare il computer all'APR per la prima volta, accertarsi di aver completato il processo di configurazione del sistema operativo seguendo la procedura descritta.

1. Accertarsi che il computer non sia inserito nell'alloggiamento di espansione dell'APR.
2. Accendere il computer.
3. Verificare che il processo di configurazione del sistema operativo del computer sia stato completato. Per istruzioni, consultare la *Guida di configurazione* fornita con il computer.
4. Spegnerne il computer.

È ora possibile collegare il computer all'APR, seguendo la procedura descritta nella seguente sottosezione "Inserimento del computer nell'alloggiamento di espansione".

Inserimento del computer nell'alloggiamento di espansione

Per collegare il computer all'APR, ossia per *inserirlo nell'alloggiamento di espansione*, seguire la procedura descritta.

1. Verificare che il processo di configurazione del sistema operativo sia stato completato. Per istruzioni, consultare la *Guida di configurazione* fornita con il computer.
2. Salvare e chiudere tutti i file aperti, uscire da tutti i programmi in esecuzione e arrestare il sistema.
3. Se non è già stato fatto, collegare l'adattatore c.a. al connettore sull'APR (vedere la figura 4-1) e inserire il cavo di alimentazione c.a. in una presa elettrica.
4. Centrare orizzontalmente il computer sulla piattaforma dell'APR, con il retro del computer rivolto verso il connettore di inserimento nell'alloggiamento di espansione dell'APR, come illustrato nella figura 4-4.
5. Spingere il computer verso il connettore fino a quando le scanalature sul fondo del computer si inseriscono nelle guide di allineamento.

AVVISO: l'inserimento completo del computer nell'APR senza agganciare le guide di allineamento può danneggiare in modo irreparabile il connettore di inserimento nell'alloggiamento di espansione sul computer.



NOTA: se è presente un piedistallo per il monitor, non sarà possibile vedere le guide di allineamento o il connettore di inserimento nell'alloggiamento di espansione.

6. Spingere delicatamente il computer in avanti fino a quando il connettore di inserimento nell'alloggiamento di espansione è completamente inserito.

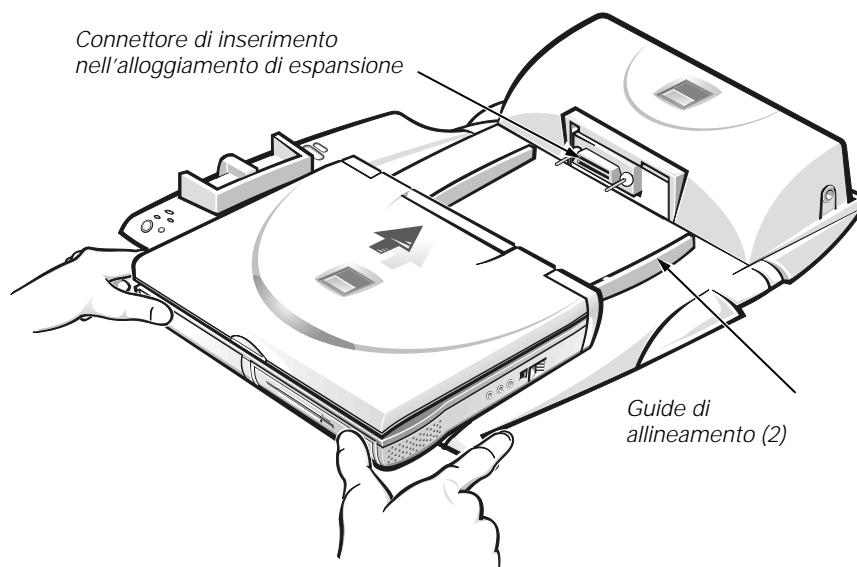


Figura 4-4. Inserimento del computer nell'alloggiamento di espansione

Disinserimento del computer dall'alloggiamento di espansione

Per scollegare il computer dall'APR, seguire la procedura descritta.

1. Salvare e chiudere tutti i file aperti e uscire da tutti i programmi in esecuzione.

AVVISO: se la batteria del computer non è carica, quest'ultimo si spegnerà quando viene scollegato dall'APR e tutti i dati non salvati saranno persi.

AVVISO: non disinserire mai il computer e l'APR dall'alloggiamento di espansione senza predisporre il computer a tale operazione. Per predisporre il sistema operativo, la rete e le periferiche di archiviazione per il disinserimento dall'alloggiamento di espansione completando il trasferimento dei dati, seguire uno dei tre metodi descritti. Se il computer viene disinserito dall'alloggiamento di espansione prima che il trasferimento dei dati sia stato completato, alcuni dati saranno persi e il ripristino del normale funzionamento del computer potrebbe richiedere alcuni minuti o non avvenire affatto.

2. Per predisporre il computer al disinserimento dall'alloggiamento di espansione, seguire una delle procedure descritte.

- Premere <Fn><Esc> sulla tastiera del computer oppure premere <Bloc Scorr><Esc> su una tastiera esterna.

Dopo alcuni secondi, l'indicatore di alimentazione sul computer si spegne.

- Se si utilizza il sistema operativo Microsoft® Windows® 98 o Windows 2000, fare clic sul pulsante **Start**, quindi su **Rilascia PC**. Se si utilizza il sistema operativo Microsoft Windows NT®, fare clic sull'icona di inserimento nell'alloggiamento di espansione, quindi selezionare **Disinserisci** per attivare la modalità di attesa del computer.

Dopo alcuni secondi, l'indicatore di alimentazione sul computer si spegne.



- Premere il pulsante di disinserimento sull'APR (vedere la figura 4-5).
L'indicatore di inserimento nell'alloggiamento di espansione di colore verde si spegne.

3. Spostare la levetta di rilascio/bloccaggio sul lato sinistro dell'APR (vedere la figura 4-5) sulla posizione di rilascio per disinserire il computer dall'alloggiamento di espansione.

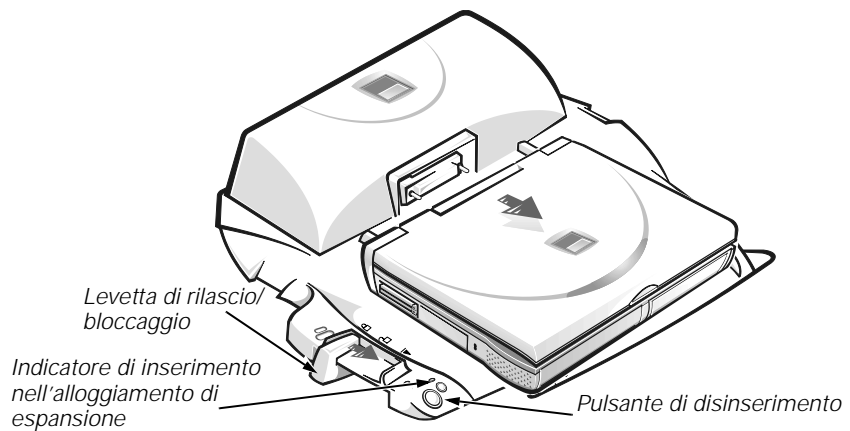


Figura 4-5 Disinserimento del computer dall'alloggiamento di espansione

Piedistallo del monitor

La figura 4-6 illustra l'installazione del piedistallo del monitor.

AVVISO: il piedistallo è progettato per sostenere monitor del peso massimo di 45,3 kg (100 libbre [lb]). Monitor più pesanti potrebbero danneggiare il piedistallo, il computer e l'APR.

NOTA: accertarsi che le gambe posteriori del piedistallo del monitor si inseriscano nelle fessure presenti su entrambi i lati della base dell'alloggiamento di espansione.

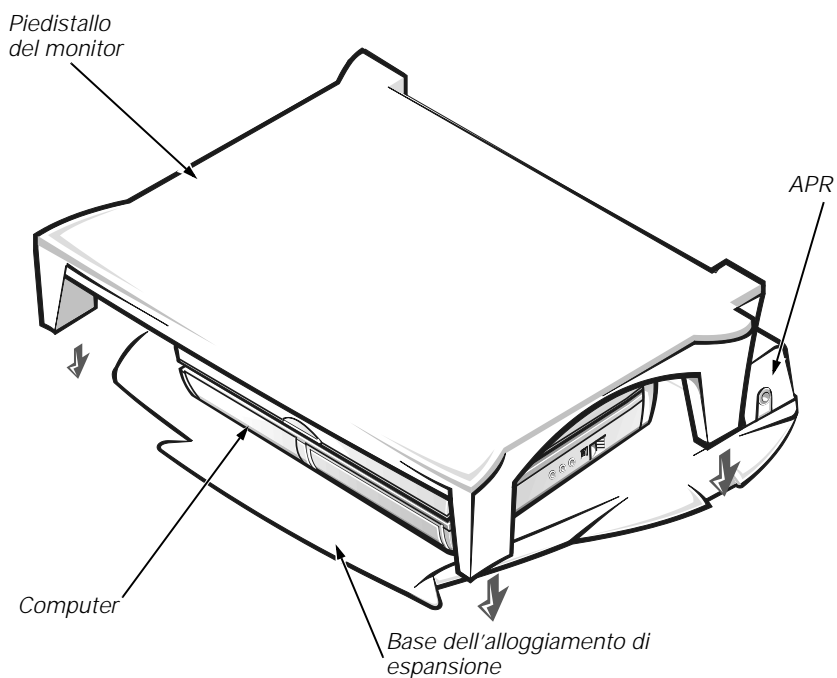


Figura 4-6. APR con il piedistallo del monitor

Istruzioni di sicurezza

Per proteggere l'APR da eventuali danni e per la sicurezza personale, attenersi alle indicazioni sulla sicurezza riportate di seguito.

- Non cercare di riparare l'APR da soli. Seguire sempre attentamente le istruzioni di installazione.
- Accertarsi che non vi siano oggetti appoggiati sopra il cavo di alimentazione dell'adattatore c.a. e che il cavo non sia di intralcio o possa essere calpestato.
- Quando si utilizza l'adattatore c.a. per alimentare l'APR, posizionare l'adattatore c.a. in un luogo ventilato, ad esempio su una scrivania o sul pavimento. Non coprire l'adattatore c.a. con fogli o altri oggetti che potrebbero rallentare il raffreddamento. Non utilizzare l'adattatore c.a. lasciandolo all'interno della custodia per il trasporto.
- Non utilizzare l'APR in un ambiente umido, ad esempio vicino a una vasca da bagno, un lavandino, una piscina o in un seminterrato umido.
- Non inserire oggetti nelle prese d'aria o in altre fessure dell'APR. Ciò potrebbe causare un corto circuito dei componenti interni, con conseguenti incendi o scariche elettriche.
- Utilizzare esclusivamente adattatori c.a. approvati per l'uso con questo APR, in base a quanto indicato nel presente documento. L'utilizzo di un adattatore c.a. diverso può comportare il pericolo di incendio o di esplosione.
- Prima di collegare l'APR ad una fonte di alimentazione, accertarsi che il valore della tensione dell'adattatore c.a. corrisponda a quello della fonte di alimentazione.
 - 115 volt (V)/60 hertz (Hz) in gran parte dell'America del Nord e del Sud e in alcuni paesi dell'Estremo Oriente, quali Corea del Sud e Taiwan.
 - 100 V/50 Hz nel Giappone orientale e 100 V/60 Hz nel Giappone occidentale.
 - 230 V/50 Hz in gran parte dell'Europa, del Medio Oriente e dell'Estremo Oriente.
- Per evitare scariche elettriche, collegare l'adattatore c.a. e i cavi di alimentazione delle periferiche a prese elettriche correttamente messe a terra. I cavi sono forniti di spine a tre poli per garantire una corretta messa a terra. Non utilizzare adattatori per spine né rimuovere il polo di messa a terra dai cavi. Se è necessario l'uso di un cavo di prolunga, utilizzare un cavo a tre fili con spine correttamente messe a terra.
- In caso di utilizzo di un cavo di prolunga unitamente all'adattatore c.a., accertarsi che l'assorbimento totale in ampere dei dispositivi collegati non superi il valore nominale di ampere del cavo di prolunga.
- Per staccare l'alimentazione dall'APR, spegnere il computer e scollegare l'adattatore c.a. dalla presa elettrica.
- Per evitare potenziali rischi di scariche elettriche, non collegare o scollegare cavi, né eseguire operazioni di manutenzione o riconfigurazione del computer durante un temporale.

- Prima di iniziare a utilizzare l'APR, appoggiarlo su una superficie piana.
- Proteggere l'APR dagli agenti ambientali, quali sporco, polvere, alimenti, liquidi, temperature eccessivamente basse o elevate e dall'esposizione diretta ai raggi solari.
- Se nel passaggio tra ambienti diversi l'APR viene esposto a temperature e tassi di umidità notevolmente diversi, è possibile che sul computer o al suo interno si formi della condensa. Per evitare danni all'APR, attendere che la condensa sia evaporata prima di utilizzare il computer.

AVVISO: quando si sposta l'APR da condizioni di bassa temperatura in un ambiente più caldo o da condizioni di alta temperatura in un ambiente più freddo, attendere che l'APR raggiunga la temperatura ambiente prima di accenderlo.

- Per scollegare un cavo, afferrare il connettore o il serracavo, non il cavo stesso. Mentre si estrae il connettore, mantenerlo correttamente allineato per evitare che i piedini si pieghino. Inoltre, prima di collegare un cavo, accertarsi che entrambi i connettori siano allineati e orientati in modo corretto.
- Prima di eseguire la pulizia dell'APR, spegnerlo e scollegarlo dalla presa elettrica.
- Pulire l'APR con un panno morbido inumidito con acqua. Non utilizzare detergenti spray o liquidi.
- Se l'APR entra in contatto con liquidi o viene danneggiato, seguire le procedure descritte nel capitolo 3 "Risoluzione dei problemi" della *Guida di riferimento e alla risoluzione dei problemi*. Se anche dopo avere seguito tali procedure l'APR continua a non funzionare correttamente, contattare Dell Computer Corporation. Consultare il capitolo 5 "Assistenza" della *Guida di riferimento e alla risoluzione dei problemi* per reperire il numero di telefono appropriato.

Specifiche tecniche

Nella tabella 4-2 sono elencate le specifiche tecniche dell'APR.

Tabella 4-2. Specifiche tecniche

Dimensioni	
Altezza:	
Con piedistallo del monitor	10,2 cm (4,0 pollici)
Solo computer	5,8 cm (2,3 pollici)
Lunghezza:	
Con piedistallo del monitor	39,0 cm (15,4 pollici)
Solo computer	35,8 cm (14,1 pollici)
Larghezza:	
Con piedistallo del monitor	37,5 cm (14,8 pollici)
Solo computer	40,9 cm (16,1 pollici)
Peso:	
Con piedistallo del monitor	3,0 kg (6,5 lb)
Solo computer	1,6 kg (3,5 lb)
Connettori di I/O	
Seriale (DTE)	Connettore a 9 piedini
Parallela	Connettore a 25 fori
Tastierino numerico o tastiera compatibile PS/2	Connettore della tastiera compatibile PS/2 a 6 fori
Mouse compatibile PS/2	Connettore del mouse PS/2 a 6 fori
Video	Connettore a 15 fori
Audio	Altoparlanti (per cuffie opzionali)
USB (doppio)	Due connettori a 4 piedini
Ingresso c.c.	Un connettore
Connettore di inserimento nell'alloggiamento di espansione	Connettore a 240 piedini
NIC	Connettore RJ-45

NOTA: consultare il glossario nella Guida in linea del sistema per la definizione delle abbreviazioni e degli acronimi usati in questa tabella.

Tabella 4-2. Specifiche tecniche (continua)

Controller di rete Ethernet			
Serie di chip	3Com [®]	3C920;	10/100 BASE-TX (conforme a PC98)
Larghezza del bus di dati	Interfaccia bus host PCI a 32 bit		
IRQ.	IRQ10		

Alimentazione	
Tensione	Richiede 20 Vc.c. da un adattatore c.a.
Amperaggio	3,5 A

NOTA: consultare il glossario nella Guida in linea del sistema per la definizione delle abbreviazioni e degli acronimi usati in questa tabella.

Avvisi sulle normative

Con interferenza elettromagnetica (EMI) si indica un qualsiasi segnale o emissione, irradiato nello spazio o trasmesso tramite cavi di alimentazione o di segnale, che può compromettere il funzionamento di dispositivi di navigazione radio o servizi di sicurezza di altro tipo, o che in modo significativo disturba, attenua o interrompe ripetutamente un servizio di radiocomunicazione a norma di legge. I servizi di radiocomunicazione comprendono, in via esemplificativa, trasmissioni commerciali AM/FM, televisione, servizi cellulari, radar, controllo del traffico aereo, cercapersone e servizi personali di comunicazione (PCS). Tali servizi a norma di legge, unitamente alle emissioni involontarie provenienti da dispositivi digitali quali i computer, contribuiscono alla formazione dell'ambiente elettromagnetico.

La compatibilità elettromagnetica (EMC) è la capacità dei dispositivi elettronici di operare contemporaneamente in modo corretto nell'ambiente elettromagnetico. Nonostante questo sistema informatico sia stato progettato per rispettare i limiti EMI dell'autorità normativa e tale compatibilità sia stata verificata, non vi è alcuna garanzia che non si verifichino interferenze in una particolare situazione. Qualora la presente apparecchiatura provocasse interferenze con servizi di radiocomunicazione, verificabili accendendo e spegnendo l'apparecchiatura, si consiglia di cercare di rimediare all'inconveniente mediante una o più delle seguenti misure.

- Cambiare l'orientamento dell'antenna di ricezione.
- Cambiare l'orientamento del computer rispetto all'apparecchio ricevente.
- Allontanare il computer dall'apparecchio ricevente.
- Collegare il computer a una presa di corrente diversa, in modo che il computer e l'apparecchio ricevente si trovino su diverse sezioni del circuito elettrico.

Se necessario, per ottenere ulteriori consigli, consultare un rappresentante del supporto tecnico di Dell Computer Corporation o un tecnico radio/TV specializzato. Può essere utile consultare il volume *FCC Interference Handbook, 1986*, reperibile presso: U.S. Government Printing Office, Washington, DC 20402, n. di archivio 004-000-00450-7 oppure sul World Wide Web all'indirizzo <http://www.fcc.gov/Bureaus/Compliance/WWW/tvibook.html>.

I computer Dell sono progettati, collaudati e classificati per l'ambiente elettromagnetico di utilizzo. Le classificazioni dell'ambiente elettromagnetico si riferiscono in genere alle seguenti definizioni standard:

- La Classe A corrisponde generalmente ad ambienti commerciali o industriali.
- La Classe B corrisponde generalmente ad ambienti residenziali.

Le apparecchiature informatiche, comprese le periferiche, le schede di espansione, le stampanti, le periferiche di input/output, i monitor, ecc. che sono integrate o collegate al sistema devono appartenere alla stessa classe elettromagnetica del sistema informatico.

Avviso sui cavi di trasmissione schermati: per ridurre la possibilità di interferenze con servizi di radiocomunicazione, utilizzare esclusivamente cavi schermati per collegare periferiche a qualsiasi dispositivo Dell. L'impiego di cavi schermati garantisce la compatibilità con la classe EMC

prevista per l'ambiente di utilizzo. Dell Computer Corporation fornisce un apposito cavo per stampanti parallele. È anche possibile ordinare il cavo sul World Wide Web all'indirizzo <http://www.dell.com/products/dellware/index.htm>.

Avviso sui computer in rete: alcuni computer Dell classificati per ambienti di Classe B possono includere un scheda controllore di interfaccia di rete (NIC). Se il computer di Classe B contiene un controllore NIC collegato alla rete il sistema potrebbe essere considerato di Classe A. Quando il controllore NIC non è collegato alla rete, il sistema è da considerarsi come dispositivo digitale di Classe B.

La maggior parte dei sistemi informatici Dell rientra nella Classe B. Per determinare la classificazione elettromagnetica del proprio sistema o periferica, consultare le seguenti sezioni in corrispondenza di ciascuna autorità normativa. Ciascuna sezione fornisce informazioni EMC/EMI o sulla sicurezza del prodotto relative a un paese.

Avvisi FCC (limitatamente agli Stati Uniti)

La maggior parte dei computer Dell sono stati classificati dalla Federal Communications Commission (FCC) come dispositivi digitali di Classe B. Tuttavia l'aggiunta di determinati componenti opzionali può abbassare il livello di alcune configurazioni alla Classe A. Per determinare la classe di appartenenza del proprio sistema informatico, esaminare tutte le etichette di registrazione FCC poste sul fondo o sul pannello posteriore del computer, sulle staffe di montaggio delle schede e sulle schede stesse. Se è presente un'etichetta che riporta la dicitura Class A, l'intero sistema è da considerarsi come dispositivo digitale di Classe A. Se *tutte* le etichette riportano la dicitura FCC Class B, distinguibile da un numero di ID FCC o dal logo FCC (**FC**), il sistema è da considerarsi un dispositivo digitale di Classe B.

Dopo avere determinato la classificazione FCC del proprio sistema, leggere l'avviso FCC appropriato. Si noti che le normative della FCC stabiliscono che eventuali modifiche non espressamente approvate da Dell Computer Corporation potrebbero annullare il diritto dell'utente di utilizzare questa apparecchiatura.

Questo dispositivo è conforme ai sensi della Parte 15 delle normative della FCC. Il funzionamento è soggetto alle due condizioni riportate di seguito.

- Questo dispositivo non genera interferenze dannose.
- Questo dispositivo non scherma le interferenze provenienti dall'esterno, comprese le interferenze che potrebbero comprometterne il funzionamento.

Classe A

La presente apparecchiatura è stata collaudata e dichiarata conforme ai limiti imposti ai dispositivi digitali di Classe A, ai sensi della Parte 15 delle normative della Federal Communications Commission (FCC). Tali limiti sono stabiliti per fornire una protezione adeguata contro le interferenze dannose in un'installazione commerciale. La presente apparecchiatura genera, utilizza e può irradiare energia in frequenza radio e, se non

installata e utilizzata in conformità alle istruzioni del fabbricante, può causare interferenze dannose con le comunicazioni radio. L'utilizzo di questa apparecchiatura in aree residenziali può creare interferenze dannose; in tal caso l'utente dovrà provvedere ad eliminare tali interferenze a proprio carico.

Classe B

La presente apparecchiatura è stata collaudata e dichiarata conforme ai limiti imposti ai dispositivi digitali di Classe B, ai sensi della Parte 15 delle normative della Federal Communications Commission (FCC). Tali limiti sono stabiliti per fornire una protezione adeguata contro le interferenze dannose in un'installazione residenziale. La presente apparecchiatura genera, utilizza e può irradiare energia in frequenza radio e, se non installata e utilizzata in conformità alle istruzioni del fabbricante, può causare interferenze con le comunicazioni radio. Non esiste tuttavia alcuna garanzia che tali interferenze non si verifichino in una particolare situazione. Qualora la presente apparecchiatura provocasse interferenze dannose con segnali radiofonici o televisivi, verificabili accendendo e spegnendo l'apparecchio stesso, si consiglia di cercare di rimediare all'inconveniente mediante una o più delle seguenti misure.

- Cambiare l'orientamento o la posizione dell'antenna di ricezione.
- Aumentare la distanza tra l'apparecchiatura e l'apparecchio ricevente.
- Collegare l'apparecchiatura a una presa elettrica su un circuito diverso da quello a cui è collegato l'apparecchio ricevente.
- In caso di necessità, consultare il rivenditore o un tecnico radio/TV specializzato.

Le seguenti informazioni sono relative all'apparecchiatura o alle apparecchiature trattate in questo documento in conformità alle normative della FCC.

- Numero di modello: PRX
- Nome del fabbricante: Dell Computer Corporation
EMC Engineering Department
One Dell Way
Round Rock, Texas 78682 USA
512-338-4400

Avviso IC (limitatamente al Canada)

La maggior parte dei computer e delle altre apparecchiature digitali di Dell sono classificati dall'Interference-Causing Equipment Standard N. 3 (ICES-003) della Industry Canada (IC) come dispositivi digitali di Classe B. Per determinare la classe di appartenenza (Classe A o B) del computer o altra apparecchiatura digitale di Dell, esaminare tutte le etichette di registrazione sotto o sul pannello posteriore del computer o dell'apparecchiatura digitale. Su una delle etichette dovrebbe essere riportata una dicitura simile a "IC Class A ICES-003" o "IC Class B ICES-003".

Si noti che le normative della Industry Canada stabiliscono che eventuali modifiche non espressamente approvate da Dell Computer Corporation potrebbero annullare il diritto dell'utente di utilizzare questa apparecchiatura.

Questa apparecchiatura digitale di Classe B o Classe A, a seconda di quanto riportato sull'etichetta di registrazione, è conforme ai requisiti delle normative Canadian Interference-Causing Equipment Regulations.

Cet appareil numérique de la Classe B (ou Classe A, si ainsì indiqué sur l'étiquette d'enregistrement) respecte toutes les exigences du Règlement sur le Matériel Brouilleur du Canada.

Avviso CE (Unione Europea)

La marchiatura **CE** indica la conformità del presente sistema Dell alla Direttiva EMC e alla Direttiva LVD dell'Unione Europea. Questo marchio indica che il presente sistema Dell è conforme agli standard tecnici riportati di seguito.

- EN 55022 — "Limiti e metodi di misurazione delle caratteristiche di radiointerferenza di apparecchiature informatiche".
- EN 50082-1: 1992 — "Compatibilità elettromagnetica. Standard generico di immunità Parte 1: residenziale, commerciale e industria leggera".
- EN 60950 — "Sicurezza delle apparecchiature informatiche".



NOTA: i requisiti EN 55022 sulle emissioni prevedono due classi:

- *La Classe A per le aree tipicamente commerciali.*
- *La Classe B per le aree tipicamente residenziali.*

Il presente dispositivo Dell è classificato per l'uso in ambiente residenziale di Classe B.

Una "Dichiarazione di conformità" agli standard e alle direttive precedenti è stata emessa e registrata presso Dell Products Europe BV, Limerick, Irlanda.

Conformità EN 55022 (limitatamente alla Repubblica Ceca)

Il presente dispositivo è di Classe B in base allo standard EN 55022, a meno che non sia esplicitamente indicato come dispositivo di Classe A sull'etichetta delle specifiche. Quanto segue è applicabile ai dispositivi di Classe A secondo EN 55022 (raggio di protezione fino a 30 metri). L'utente del dispositivo è obbligato ad adottare tutte le misure necessarie per rimuovere le sorgenti di interferenze con telecomunicazioni o altri dispositivi.

Pokud není na typovém štítku počítače uvedeno, že spadá do třídy A podle EN 55022, spadá automaticky do třídy B podle EN 55022. Pro zařízení zařazená do třídy A (ochranné pásmo 30m) podle EN 55022 platí následující. Dojde-li k rušení telekomunikačních nebo jiných zařízení, je uživatel povinen provést taková opatření, aby rušení odstranil.

Avviso VCCI (limitatamente al Giappone)

La maggior parte dei sistemi informatici Dell sono classificati dal Voluntary Control Council for Interference (VCCI) come apparecchiature informatiche (ITE) di Classe B. Tuttavia l'aggiunta di determinati componenti opzionali può abbassare il livello di alcune configurazioni alla Classe A. Le apparecchiature informatiche, comprese le periferiche, le schede di espansione, le stampanti, le periferiche di input/output, i monitor, ecc. che sono integrate o collegate al sistema devono appartenere alla stessa classe elettromagnetica (A o B) del sistema informatico.

Per determinare la classe di appartenenza del proprio sistema informatico, esaminare le etichette/marchiature di conformità alle normative (vedere le figure 4-7 e 4-8) sotto il computer o sul pannello posteriore. Dopo avere determinato la classificazione VCCI del proprio sistema, leggere l'avviso VCCI appropriato.

Apparecchiatura informatica di classe A

この装置は、情報処理装置等電波障害自主規制協議会 (VCCI) の基準に基づくクラス A 情報技術装置です。この装置を家庭環境で使用すると電波妨害を引き起こすことがあります。この場合には使用者が適切な対策を講ずるよう要求されることがあります。

Questo prodotto rientra nella Classe A in base allo standard del Voluntary Control Council for Interference (VCCI) per le apparecchiature informatiche. L'utilizzo di questa apparecchiatura in un'area residenziale potrebbe causare disturbi radio; nel qual caso potrebbe essere richiesto all'utente di intraprendere un'azione correttiva.

VCCI-A

Figura 4-7. Marchio di conformità alle normative del VCCI per apparecchiature informatiche di Classe A

Apparecchiatura informatica di Classe B

この装置は、情報処理装置等電波障害自主規制協議会（VCCI）の基準に基づくクラス B 情報技術装置です。この装置は家庭環境で使用することを目的としていますが、ラジオやテレビジョン受信機に近接して使用されると、受信障害を引き起こすことがあります。
取扱説明書に従って正しい取り扱いをしてください。

Questo prodotto rientra nella Classe B in base allo standard del Voluntary Control Council for Interference (VCCI) per le apparecchiature informatiche. L'utilizzo di questa apparecchiatura in prossimità di apparecchi riceventi radio o televisivi in ambiente residenziale potrebbe causare interferenze radio. Installare e utilizzare l'apparecchiatura in conformità alle istruzioni nel manuale.



Figura 4-8. Marchio di conformità alle normative del VCCI per apparecchiature informatiche di Classe B

Avviso MOC (limitatamente alla Corea del Sud)

Per determinare la classe di appartenenza (Classe A o B) del computer o altra apparecchiatura digitale di Dell, esaminare le etichette di registrazione Ministry of Communications (MOC) della Corea del Sud sotto o sul pannello posteriore del computer o dell'apparecchiatura digitale. L'etichetta MOC potrebbe trovarsi in una posizione diversa rispetto agli altri marchi di conformità sull'apparecchiatura. Al centro dell'etichetta MOC è visibile il testo in caratteri romani "EMI (A)", per i prodotti di classe A, o "EMI (B)" (vedere le figure 4-9 e 4-10).



NOTA: i requisiti MOC sulle emissioni prevedono due classi:

- I dispositivi di Classe A sono destinati a un impiego commerciale.
- I dispositivi di classe B sono destinati a un impiego non commerciale.

Dispositivo di classe A

장치 종류	사용자 안내문
A 급 기기	이 장치는 업무용으로 전자파 적합등록을 한 장치이오니 판매자 또는 사용자는 이 점을 주의하시기 바라며 만약 잘못 판매 또는 구입하였을 때에는 가정용으로 교환하시기 바랍니다.

Il presente dispositivo è stato approvato per l'utilizzo commerciale in base alle interferenze elettromagnetiche emesse. Se il dispositivo non dovesse risultare adatto al proprio scopo, è possibile sostituirlo con un dispositivo destinato all'utilizzo non commerciale.

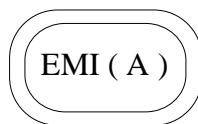


Figura 4-9. Marchio di conformità alle normative del MOC di Classe A

Dispositivo di classe B

장치 종류	사용자 안내문
B급 기기	이 장치는 가정용으로 전자파 적합등록을 한 장치로서 주거지역에서는 물론 모든 지역에서 사용할 수 있습니다.

Il presente dispositivo è stato approvato per l'utilizzo non commerciale in base alle interferenze elettromagnetiche emesse, pertanto può essere utilizzato in qualsiasi ambiente, comprese le aree residenziali.

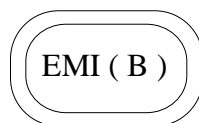


Figura 4-10. Marchio di conformità alle normative del MOC di Classe B

Avviso del centro per i collaudi e le certificazioni della Polonia

L'apparecchiatura deve essere collegata a una presa di corrente provvista di circuito di protezione, cioè una presa a tre poli. Tutte le apparecchiature che funzionano congiuntamente (computer, monitor, stampante, ecc.) devono essere collegate alla stessa alimentazione di corrente.

Il conduttore di fase dell'impianto elettrico del locale deve essere provvisto di un dispositivo di protezione da corto circuito sotto forma di fusibile con valore nominale non superiore a 16 ampere (A).

Per spegnere completamente l'apparecchiatura, è necessario scollegare il cavo di alimentazione dalla presa di alimentazione, che dovrebbe trovarsi in prossimità dell'apparecchiatura ed essere facilmente accessibile.

Un marchio di protezione "B" indica che l'apparecchiatura è conforme ai requisiti di utilizzo relativi alla protezione PN-93/T-42107 e PN-EN55022:1996.

Wymagania Polskiego Centrum Badań i Certyfikacji

Urządzenie powinno być zasilane z gniazda z przyłączonym obwodem ochronnym (gniazdo z kołkiem). Współpracujące ze sobą urządzenia (komputer, monitor, drukarka) powinny być zasilane z tego samego źródła.

Instalacja elektryczna pomieszczenia powinna zawierać w przewodzie fazowym rezerwową ochronę przed zwarciami, w postaci bezpiecznika o wartości

znamionowej nie większej niż 16A (amperów).

W celu całkowitego wyłączenia urządzenia z sieci zasilania, należy wyjąć wtyczkę kabla zasilającego z gniazdka, które powinno znajdować się w pobliżu urządzenia i być łatwo dostępne.

Znak bezpieczeństwa "B" potwierdza zgodność urządzenia z wymaganiami bezpieczeństwa użytkownika zawartymi w PN-93/T-42107 i PN-1996/E-06251.

Pozostałe instrukcje bezpieczeństwa

- Nie należy używać wtyczek adapterowych lub usuwać kołka obwodu ochronnego z wtyczki. Jeżeli konieczne jest użycie przedłużacza to należy użyć przedłużacza 3-żyłowego z prawidłowo połączonym przewodem ochronnym.
- System komputerowy należy zabezpieczyć przed nagłymi, chwilowymi wzrostami lub spadkami napięcia, używając eliminatora przepięć, urządzenia dopasowującego lub bezzakłóceniewego źródła zasilania.
- Należy upewnić się, aby nic nie leżało na kablach systemu komputerowego, oraz aby kable nie były umieszczone w miejscu, gdzie można byłoby na nie nadeptywać lub potykać się o nie.
- Nie należy rozlewać napojów ani innych płynów na system komputerowy.
- Nie należy wpychać żadnych przedmiotów do otworów systemu komputerowego, gdyż może to spowodować pożar lub porażenie prądem, poprzez zwarcie elementów wewnętrznych.
- System komputerowy powinien znajdować się z dala od grzejników i źródeł ciepła. Ponadto, nie należy blokować otworów wentylacyjnych. Należy unikać kładzenia luźnych papierów pod komputer oraz umieszczania komputera w ciasnym miejscu bez możliwości cyrkulacji powietrza wokół niego.

Informazioni NOM (limitatamente al Messico)

Le seguenti informazioni vengono fornite in riferimento ai dispositivi descritti nel presente documento in conformità ai requisiti degli standard ufficiali del Messico (NOM).

Esportatore:	Dell Computer Corporation One Dell Way Round Rock, TX 78682
Importatore:	Dell Computer de México, S.A. de C.V. Rio Lerma No. 302 - 4° Piso Col. Cuauhtemoc 16500 México, D.F.
Destinatario:	Dell Computer de México, S.A. de C.V. al Cuidado de Kuehne & Nagel de México S. de R.I. Avenida Soles No. 55 Col. Peñon de los Baños 15520 México, D.F.
Tensione fornita:	100 o 240 V CA
Frequenza:	60-50 Hz
Valore nominale della corrente in input:	1,5 A

Información para NOM (únicamente para México)

La información siguiente se proporciona en el dispositivo o en los dispositivos descritos en este documento, en cumplimiento con los requisitos de la Norma Oficial Mexicana (NOM):

Exportador:	Dell Computer Corporation One Dell Way Round Rock, TX 78682
Importador:	Dell Computer de México, S.A. de C.V. Rio Lerma No. 302 - 4° Piso Col. Cuauhtemoc 16500 México, D.F.
Embarcar a:	Dell Computer de México, S.A. de C.V. al Cuidado de Kuehne & Nagel de México S. de R.l. Avenida Soles No. 55 Col. Peñon de los Baños 15520 México, D.F.
Tensión alimentación:	100 o 240 V CA
Frecuencia:	60-50 Hz
Consumo de corriente (maxima):	1,5 A

Garanzia e politica di restituzione

Garanzia limitata di tre anni (limitatamente agli Stati Uniti)

I prodotti di Dell Computer Corporation ("Dell") sono fabbricati con parti e componenti nuovi o equivalenti a quelli nuovi in conformità agli standard industriali correnti. Dell garantisce che i propri prodotti hardware saranno privi di difetti di materiale e di fabbricazione per un periodo di tre anni dalla data di consegna, come descritto di seguito.

La garanzia si applica ai difetti derivanti dalla spedizione dei prodotti al Cliente. La garanzia non si applica ai difetti derivanti da cause esterne, quali danni accidentali o intenzionali, problemi di alimentazione, uso o manutenzione impropri o inadeguati, da interventi o modifiche effettuate da terzi non autorizzati da Dell o danni causati dall'utilizzo di parti o componenti non forniti da Dell.

La presente garanzia limitata esclude espressamente i prodotti che ricadono in una o più delle seguenti categorie: software, periferiche esterne (eccetto per dove indicato specificamente), accessori o parti aggiunte al sistema Dell dopo la spedizione, accessori o parti aggiunte al sistema Dell tramite il reparto integrazione sistemi, accessori o parti non installati in fabbrica da Dell oppure prodotti DellWare™. Monitor, tastiere e mouse con marchio Dell o inclusi nel listino prezzi standard di Dell sono inclusi in questa garanzia. Sono espressamente esclusi monitor, tastiere o mouse di altre marche e non inclusi nella precedente categoria, compresi i prodotti venduti tramite il programma DellWare. Le batterie dei computer portatili sono incluse in questa garanzia per il primo anno.

Copertura durante il primo anno

A partire dalla data della fattura e per un periodo di un anno, Dell riparerà o sostituirà i prodotti inclusi in questa garanzia limitata che vengono rispediti alla sede di Dell. Per richiedere assistenza nel periodo di garanzia, è necessario contattare il supporto tecnico clienti di Dell entro il periodo di validità della garanzia. Consultare il capitolo "Assistenza" nella documentazione relativa alla risoluzione dei problemi del computer, o, per alcuni sistemi, la sezione "Come contattare Dell" contenuta nella Guida in linea del sistema, per ottenere il numero telefonico del servizio clienti appropriato. Nel caso fosse richiesta una riparazione nel periodo di garanzia, Dell emetterà un Numero di autorizzazione di ritorno materiali (RMA). È necessario spedire i prodotti a Dell nella confezione originale o una equivalente, pagare le spese di spedizione in anticipo e assicurare la spedizione o accettare il rischio di perdita o danni. Se opportuno, Dell spedisce i prodotti riparati o in sostituzione a proprie spese ai clienti residenti negli Stati Uniti. Le spedizioni verso altri paesi sono a carico del destinatario.



NOTA: prima di spedire i prodotti a Dell, eseguire il backup dei dati presenti sulle unità disco rigido e sulle altre periferiche di memorizzazione. Rimuovere tutti i supporti rimovibili, quali dischetti, CD o schede PC. Dell non assume alcuna responsabilità per la perdita di dati o di programmi.

La proprietà dei componenti rimossi dai prodotti riparati è di Dell. Nell'eseguire le riparazioni in garanzia o nel produrre i prodotti di ricambio, Dell utilizza parti nuove o

riconvenzionate fabbricate da diversi produttori. La durata della garanzia del prodotto riparato o sostituito da Dell non viene estesa.

Copertura durante il secondo e il terzo anno

Durante il secondo e il terzo anno di questa garanzia limitata, Dell fornisce, tramite permuta e in conformità alle Regole di permuta di Dell in vigore alla data della permuta, i componenti di ricambio per i prodotti hardware Dell coperti da questa garanzia limitata, nel caso in cui fosse necessaria la sostituzione. È necessario segnalare in anticipo tutti i casi di guasto hardware al supporto tecnico clienti di Dell per ottenere conferma della necessità di sostituire il componente e ricevere, quindi, il componente di ricambio. Se opportuno, Dell spedisce i componenti (a proprie spese) ai clienti che risiedono negli Stati Uniti. Le spedizioni verso altri paesi sono a carico del destinatario. Dell accluderà un contenitore, i cui costi di spedizione sono prepagati, per ogni componente di ricambio da utilizzare per la restituzione del componente sostituito a Dell. I componenti di ricambio sono nuovi o riconvenzionati. I componenti di ricambio forniti da Dell possono essere di diversi produttori. Il periodo di garanzia di un componente di ricambio è costituito dal periodo rimanente della garanzia limitata.

I componenti sostituiti verranno addebitati se non restituiti a Dell. La procedura per la restituzione dei componenti sostituiti e l'obbligo di pagare i componenti di ricambio se non restituiti sono conformi alle Regole di permuta di Dell in vigore alla data della permuta.

L'utente assume piena responsabilità per i programmi e i dati. Dell non è tenuta ad avvertire o ricordare all'utente di eseguire il backup e altre procedure come appropriato.

Disposizioni generali

LA PRESENTE GARANZIA ASSEGNA ALL'UTENTE DIRITTI LEGALI CHE VARIANO DA STATO A STATO (O DA GIURISDIZIONE A GIURISDIZIONE). LA RESPONSABILITÀ DI DELL PER IL MALFUNZIONAMENTO E I DIFETTI DEI COMPONENTI HARDWARE È LIMITATA ALLA RIPARAZIONE E ALLA SOSTITUZIONE IN BASE A QUANTO DICHIARATO NELLA PRESENTE GARANZIA. TUTTE LE GARANZIE ESPRESSE O IMPLICITE, COMPREDENTI MA NON LIMITATE A GARANZIE E CONDIZIONI IMPLICITE DI COMMERCIALIZZABILITÀ E IDONEITÀ PER SCOPI PARTICOLARI, SONO LIMITATE NELLA DURATA AL PERIODO DI GARANZIA SOPRA INDICATO. TRASCORSO TALE PERIODO, NON SARÀ VALIDA ALCUNA GARANZIA, ESPRESA O IMPLICITA.

ALCUNI STATI (O GIURISDIZIONI) NON PERMETTONO LE LIMITAZIONI ALLA DURATA DI UNA GARANZIA IMPLICITA, PERTANTO LE LIMITAZIONI SOPRA INDICATE POTREBBERO NON ESSERE APPLICABILI AL CASO SPECIFICO.

DELL NON SI ASSUME ALCUNA RESPONSABILITÀ OLTRE LA TUTELA STABILITA NELLA PRESENTE GARANZIA IN CASO DI DANNI DIRETTI O INDIRETTI, IVI INCLUSA, IN VIA ESEMPLIFICATIVA, LA RESPONSABILITÀ PER I PRODOTTI NON DISPONIBILI O PER LA PERDITA DI DATI O DI PROGRAMMI.

L'APPOSIZIONE DI LIMITI DI DURATA ALLA GARANZIA IMPLICITA NON È CONSENTITA IN ALCUNI STATI O GIURISDIZIONI; PERTANTO LA LIMITAZIONE DI CUI SOPRA POTREBBE NON ESSERE APPLICABILE.

Le presenti disposizioni sono applicabili esclusivamente alla garanzia limitata di tre anni fornita da Dell. Per le disposizioni relative a eventuali contratti di assistenza che abbiano in oggetto il sistema acquistato, fare riferimento alla fattura o al contratto di assistenza fornito separatamente.

Se Dell ritiene idoneo un sistema o un componente per la permuta, tale operazione verrà eseguita in conformità alle Regole di permuta di Dell in vigore alla data della permuta. Nei casi in cui Dell emetta un numero di autorizzazione di ritorno materiali (RMA), il prodotto o i prodotti da riparare dovranno essere ricevuti da Dell prima dello scadere del periodo di garanzia perché le riparazioni siano coperte dalla suddetta garanzia limitata.



NOTA: se è stata scelta una delle opzioni di garanzia o assistenza disponibili in sostituzione della garanzia limitata standard di tre anni sopra descritta, l'opzione prescelta verrà indicata sulla fattura.

Garanzia limitata di tre anni (limitatamente al Canada)

I prodotti di Dell Computer Corporation ("Dell") sono fabbricati con parti e componenti nuovi o equivalenti a quelli nuovi in conformità agli standard industriali correnti. Dell garantisce che i propri prodotti hardware saranno privi di difetti di materiale e di fabbricazione per un periodo di tre anni dalla data di consegna, come descritto di seguito.

La garanzia si applica ai difetti derivanti dalla spedizione dei prodotti al Cliente. La garanzia non si applica ai difetti derivanti da cause esterne, quali danni accidentali o intenzionali, problemi di alimentazione, uso o manutenzione impropri o inadeguati, da interventi o modifiche effettuate da terzi non autorizzati da Dell o danni causati dall'utilizzo di parti o componenti non forniti da Dell.

La presente garanzia limitata esclude espressamente i prodotti che ricadono in una o più delle seguenti categorie: software, periferiche esterne (eccetto per dove indicato specificamente), accessori o parti aggiunte al sistema Dell dopo la spedizione, accessori o parti aggiunte al sistema Dell tramite il reparto integrazione sistemi, accessori o parti non installati in fabbrica da Dell oppure prodotti DellWare. Monitor, tastiere e mouse con marchio Dell o inclusi nel listino prezzi standard di Dell sono inclusi in questa garanzia. Sono espressamente esclusi monitor, tastiere o mouse di altre marche e non inclusi nella precedente categoria, compresi i prodotti venduti tramite il programma DellWare. Le batterie dei computer portatili sono incluse in questa garanzia per il primo anno.

Copertura durante il primo anno

A partire dalla data della fattura e per un periodo di un anno, Dell riparerà o sostituirà i prodotti inclusi in questa garanzia limitata che vengono rispediti alla sede di Dell. Per richiedere assistenza nel periodo di garanzia, è necessario contattare il supporto tecnico clienti di Dell entro il periodo di validità della garanzia. Consultare il capitolo "Assistenza" nella documentazione relativa alla risoluzione dei problemi del computer,

o, per alcuni sistemi, la sezione "Come contattare Dell" contenuta nella Guida in linea del sistema, per ottenere il numero telefonico del servizio clienti appropriato. Nel caso fosse richiesta una riparazione nel periodo di garanzia, Dell emetterà un Numero di autorizzazione di ritorno materiali (RMA). È necessario spedire i prodotti a Dell nella confezione originale o una equivalente, pagare le spese di spedizione in anticipo e assicurare la spedizione o accettare il rischio di perdita o danni. Se opportuno, Dell spedisce i prodotti riparati o in sostituzione a proprie spese ai clienti residenti in Canada. Le spedizioni verso altri paesi sono a carico del destinatario.



NOTA: prima di spedire i prodotti a Dell, eseguire il backup dei dati presenti sulle unità disco rigido e sulle altre periferiche di memorizzazione. Rimuovere tutti i supporti rimovibili, quali dischetti, CD o schede PC. Dell non assume alcuna responsabilità per la perdita di dati o di programmi.

La proprietà dei componenti rimossi dai prodotti riparati è di Dell. Nell'eseguire le riparazioni in garanzia o nel produrre i prodotti di ricambio, Dell utilizza parti nuove o ricondizionate fabbricate da diversi produttori. La durata della garanzia del prodotto riparato o sostituito da Dell non viene estesa.

Copertura durante il secondo e il terzo anno

Durante il secondo e il terzo anno di questa garanzia limitata, Dell fornisce, tramite permuta e in conformità alle Regole di permuta di Dell in vigore alla data della permuta, i componenti di ricambio per i prodotti hardware Dell coperti da questa garanzia limitata, nel caso in cui fosse necessaria la sostituzione. È necessario segnalare in anticipo tutti i casi di guasto hardware al supporto tecnico clienti di Dell per ottenere conferma della necessità di sostituire il componente e ricevere, quindi, il componente di ricambio. Se opportuno, Dell spedisce i componenti (a proprie spese) ai clienti che risiedono in Canada. Le spedizioni verso altri paesi sono a carico del destinatario. Dell accluderà un contenitore, i cui costi di spedizione sono prepagati, per ogni componente di ricambio da utilizzare per la restituzione del componente sostituito a Dell. I componenti di ricambio sono nuovi o ricondizionati. I componenti di ricambio forniti da Dell possono essere di diversi produttori. Il periodo di garanzia di un componente di ricambio è costituito dal periodo rimanente della garanzia limitata.

I componenti sostituiti verranno addebitati se non restituiti a Dell. La procedura per la restituzione dei componenti sostituiti e l'obbligo di pagare i componenti di ricambio se non restituiti sono conformi alle Regole di permuta di Dell in vigore alla data della permuta.

L'utente assume piena responsabilità per i programmi e i dati. Dell non è tenuta ad avvertire o ricordare all'utente di eseguire il backup e altre procedure come appropriato.

Disposizioni generali

DELL NON DÀ ALCUNA GARANZIA O CONDIZIONE NON ESPRESSAMENTE DICHIARATA IN QUESTA GARANZIA LIMITATA. DELL NON RICONOSCE ALCUNA ALTRA GARANZIA, ESPRESSA O IMPLICITA, COMPRESA, IN VIA ESEMPLIFICATIVA, LA GARANZIA DI COMMERCIALIZZABILITÀ E DI IDONEITÀ PER UN FINE PARTICOLARE. ALCUNI STATI O GIURISDIZIONI NON AMMETTONO L'ESCLUSIONE O LA LIMITAZIONE DI RESPONSABILITÀ PER DANNI DIRETTI O

INDIRETTI, PERTANTO LA LIMITAZIONE DI CUI SOPRA POTREBBE NON ESSERE APPLICABILE.

LA RESPONSABILITÀ DI DELL PER IL MALFUNZIONAMENTO E I DIFETTI DEI COMPONENTI HARDWARE È LIMITATA ALLA RIPARAZIONE E ALLA SOSTITUZIONE IN BASE A QUANTO DICHIARATO NELLA PRESENTE GARANZIA. LE PRESENTI GARANZIE CONFERISCONO ALL'UTENTE PARTICOLARI DIRITTI; L'UTENTE TUTTAVIA PUÒ GODERE DI ALTRI DIRITTI CHE VARIANO DA STATO A STATO (O DA GIURISDIZIONE A GIURISDIZIONE).

DELL NON SI ASSUME ALCUNA RESPONSABILITÀ OLTRE LA TUTELA STABILITA NELLA PRESENTE GARANZIA IN CASO DI DANNI DIRETTI O INDIRETTI, IVI INCLUSA, IN VIA ESEMPLIFICATIVA, LA RESPONSABILITÀ PER I PRODOTTI NON DISPONIBILI O PER LA PERDITA DI DATI O DI PROGRAMMI.

L'APPOSIZIONE DI LIMITI DI DURATA ALLA GARANZIA IMPLICITA NON È CONSENTITA IN ALCUNI STATI O GIURISDIZIONI; PERTANTO LA LIMITAZIONE DI CUI SOPRA POTREBBE NON ESSERE APPLICABILE.

Le presenti disposizioni sono applicabili esclusivamente alla garanzia limitata di tre anni fornita da Dell. Per le disposizioni relative a eventuali contratti di assistenza che abbiano in oggetto il sistema acquistato, fare riferimento alla fattura o al contratto di assistenza fornito separatamente.

Se Dell ritiene idoneo un sistema o un componente per la permuta, tale operazione verrà eseguita in conformità alle Regole di permuta di Dell in vigore alla data della permuta. Nei casi in cui Dell emetta un numero di autorizzazione di ritorno materiali (RMA), il prodotto o i prodotti da riparare dovranno essere ricevuti da Dell prima dello scadere del periodo di garanzia perché le riparazioni siano coperte dalla suddetta garanzia limitata.



NOTA: se è stata scelta una delle opzioni di garanzia o assistenza disponibili in sostituzione della garanzia limitata standard di tre anni sopra descritta, l'opzione prescelta verrà indicata sulla fattura.

Politica di restituzione “Soddisfatti o rimborsati” (limitatamente a Stati Uniti e Canada)

Gli utenti finali che hanno acquistato nuovi prodotti direttamente da una società Dell, possono restituirli a Dell entro 30 giorni dalla data della fattura per un rimborso o un credito pari al prezzo di acquisto del prodotto. Gli utenti finali che hanno acquistato prodotti ricondizionati o riparati da una società Dell, possono restituirli entro 14 giorni dalla data della fattura per un rimborso o un credito pari al prezzo di acquisto del prodotto. In entrambi i casi, il rimborso o il credito non include le spese di spedizione o amministrazione indicate sulla fattura. Se il cliente è un'organizzazione che ha acquistato i prodotti in seguito a un contratto scritto stipulato con Dell, il contratto può contenere termini e condizioni diversi per la restituzione dei prodotti rispetto a quelli stabili dalle presenti condizioni.

Per restituire i prodotti, è necessario contattare il servizio clienti di Dell per richiedere un numero di autorizzazione per rimborso. Consultare il capitolo 5 “Assistenza” o “Come contattare Dell” nella *Guida in linea* del sistema, dove sono indicati i numeri di

telefono per contattare l'assistenza clienti. Per sveltire la pratica di rimborso o di credito, Dell richiede la restituzione del prodotto nella confezione originale entro cinque giorni dalla data di emissione del numero di autorizzazione per rimborso. Il cliente deve, inoltre, pagare in anticipo le spese di spedizione e assicurare la spedizione oppure accettare il rischio di perdita o danni durante il trasporto. È possibile ottenere il rimborso o un credito per il software solo se la confezione sigillata contenente il dischetto o i dischetti o il CD o i CD è intatta. I prodotti restituiti devono essere come nuovi e includere i manuali, i dischetti, i CD, i cavi di alimentazione e gli altri articoli forniti con il prodotto. I clienti che desiderano restituire applicazioni o sistemi operativi installati da Dell, a scopo di rimborso o credito, devono restituire l'intero sistema, insieme agli eventuali supporti e alla documentazione inclusi nella spedizione originale.

La presente politica di restituzione "Soddisfatti o rimborsati" non è applicabile ai prodotti DellWare, che possono essere restituiti secondo la politica di restituzione DellWare in vigore in quel momento. Inoltre, i componenti ricondizionati acquistati tramite il reparto di vendita componenti di ricambio di Dell in Canada non sono restituibili.

Dell™ Inspiron™

GUÍA DEL USUARIO DEL REPLICADOR DE PUERTOS AVANZADO

Notas, Avisos y Precauciones

A lo largo de esta guía, encontrará secciones de texto que pueden estar acompañadas por un icono e impresas en negritas o en itálicas. Estos bloques de texto son notas, avisos y precauciones que se utilizan como se indica a continuación:



NOTA: una NOTA proporciona información importante que le ayuda a utilizar su PC de la mejor manera posible.

AVISO: un AVISO indica un posible daño al hardware o la pérdida de datos y le explica cómo evitar el problema.



PRECAUCIÓN: una PRECAUCIÓN indica una situación potencialmente nociva que, si no se evita, puede ocasionar un daño leve o de gravedad intermedia.

La información contenida en este documento puede modificarse sin previo aviso.

© 1999-2000 Dell Computer Corporation. Reservados todos los derechos.

Queda estrictamente prohibida la reproducción de este documento en cualquier forma sin la autorización por escrito de Dell Computer Corporation.

Marcas comerciales utilizadas en este texto: *Dell*, el logotipo *DELL*, *Be DIRECT*, *Inspiron* y *DellWare* son marcas comerciales de Dell Computer Corporation; *Microsoft*, *Windows* y *WindowsNT* son marcas registradas de Microsoft Corporation; *3Com* es una marca registrada de 3Com Corporation.

Otras marcas y otros nombres comerciales pueden utilizarse en este documento para hacer referencia a las entidades que los poseen o a sus productos. Dell Computer Corporation renuncia a cualquier interés sobre la propiedad de marcas y nombres comerciales que no sean los suyos.



Contenido

Conectores de E/S del APR	5-1
Indicadores y controles del APR	5-3
Conexión de dispositivos externos al APR	5-4
Conexión del ordenador al APR	5-4
Acoplamiento del ordenador	5-5
Desacoplamiento del ordenador.	5-6
Soporte de estante del monitor	5-7
Instrucciones de seguridad	5-8
Especificaciones técnicas	5-9
Avisos de regulación	5-11
Avisos FCC (únicamente en EE.UU.)	5-12
Clase A	5-13
Clase B	5-13
Aviso IC (únicamente en Canadá).	5-14
Aviso CE (Unión Europea)	5-14
Conformidad EN 55022 (únicamente la República Checa)	5-15
Aviso VCCI (únicamente en Japón)	5-15
ITE de Clase A.	5-15
ITE de Clase B.	5-16
Aviso MOC (sólo para Corea del Sur)	5-16
Dispositivo Clase A	5-17
Dispositivo Clase B	5-17
Aviso del centro polaco de pruebas y certificación	5-18
Wymagania Polskiego Centrum BadaŃ i Certyfikacji	5-18
PozostaŃe instrukcje bezpieczeŃstwa.	5-18
Información para NOM (únicamente para México)	5-19
Garantía y política de devoluciones	5-20
Garantía limitada de tres años (sólo EE.UU.)	5-20
Cobertura durante el primer año	5-20

Cobertura durante el segundo y tercer año	5-21
Provisiones generales.	5-21
Garantía limitada de tres años (sólo Canadá)	5-22
Cobertura durante el primer año.	5-23
Cobertura durante el segundo y tercer año	5-23
Provisiones generales.	5-24
Política de devolución " Satisfacción total" (sólo EE.UU. y Canadá)	5-25

Figuras

Figura 5-1. Conectores de E/S en la parte posterior del APR	5-2
Figura 5-2. Conector de salida de línea de audio	5-3
Figura 5-3. Controles e indicadores	5-3
Figura 5-4. Acoplamiento del ordenador	5-5
Figura 5-5. Desacoplamiento del ordenador	5-7
Figura 5-6. APR con el soporte del monitor.	5-7
Figura 5-7. Marca de regulación de ITE de VCCI de Clase A.	5-16
Figura 5-8. Marca de regulación de ITE de VCCI de Clase B.	5-16
Figura 5-9. Marca de regulación de Clase A de MOC	5-17
Figura 5-10. Marca de regulación de Clase B de MOC	5-17

Tablas

Tabla 5-1. Conectores E/S externos.	5-2
Tabla 5-2. Especificaciones técnicas	5-9



Guía del usuario del replicador de puertos avanzado del sistema Dell™ Inspiron™

El replicador de puertos avanzado (APR) integra su ordenador rápida y fácilmente en un entorno de escritorio. Utilice las instrucciones de este documento para conectar dispositivos externos y el ordenador al APR.



NOTA: si ha recibido el disquete de actualización del sistema básico de entrada/salida (BIOS) con el APR, utilícelo para actualizar el BIOS en el ordenador antes de conectar éste al APR. Para obtener instrucciones, consulte la documentación incluida con el disquete de actualización de BIOS.

AVISO: no intente levantar el ordenador mientras esté acoplado en el APR, ya que dañaría el conector de acoplamiento. Para obtener instrucciones, consulte la sección “Desacoplamiento del ordenador” más adelante en esta guía.

Conectores de E/S del APR

Los conectores de entrada/salida (E/S) situados en la parte posterior del APR (vea las Figuras 5-1 y 5-2) duplican a los conectores primarios que se encuentran en las partes posterior y lateral del ordenador.

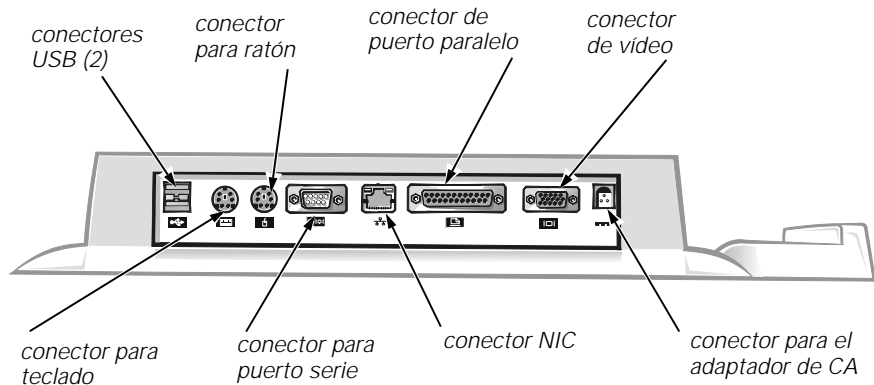


Figura 5-1. Conectores de E/S en la parte posterior del APR

La Tabla 5-1 muestra los iconos de cada uno de los conectores situados en la parte posterior del APR e indica el tipo de los dispositivos externos que se pueden conectar a cada conector.

Tabla 5-1. Conectores E/S externos

Icono del conector	Descripción del conector
	Uno o dos dispositivos USB, como puede ser un ratón USB, pueden conectarse al conector USB dual.
	Un teclado externo estilo PS/2 o un teclado numérico externo puede conectarse al conector de teclado.
	Un ratón compatible externo PS/2 pueden conectarse al conector de ratón PS/2.
	Un dispositivo serie, como puede ser un ratón serie o un módem externo, puede conectarse al conector del puerto serie.
	Un cable de interfaz de red puede conectarse al conector NIC.
	Un dispositivo paralelo, como puede ser una impresora, puede conectarse al conector de puerto paralelo.
	Un monitor externo puede conectarse al conector de vídeo.
	El adaptador de CA incluido con el APR se conecta al conector del adaptador de CA.

NOTA: para ver el nombre completo de las abreviaturas o acrónimos utilizados en esta tabla, consulte el Glosario de la Ayuda del sistema.

El conector de salida de línea de audio se encuentra en el lateral del APR (consulte la Figura 5-2).

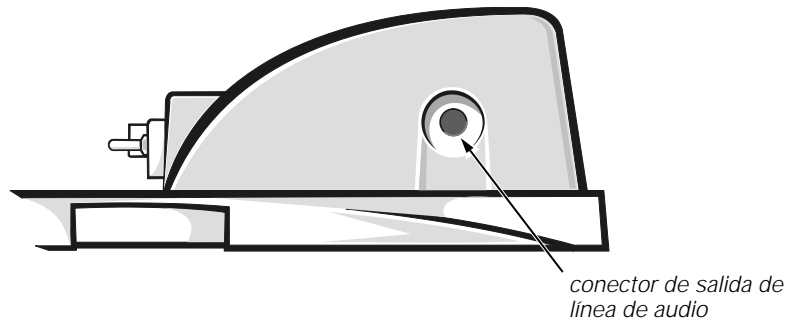


Figura 5-2. Conector de salida de línea de audio

Indicadores y controles del APR

Los controles e indicadores del APR se muestran en la Figura 5-3.

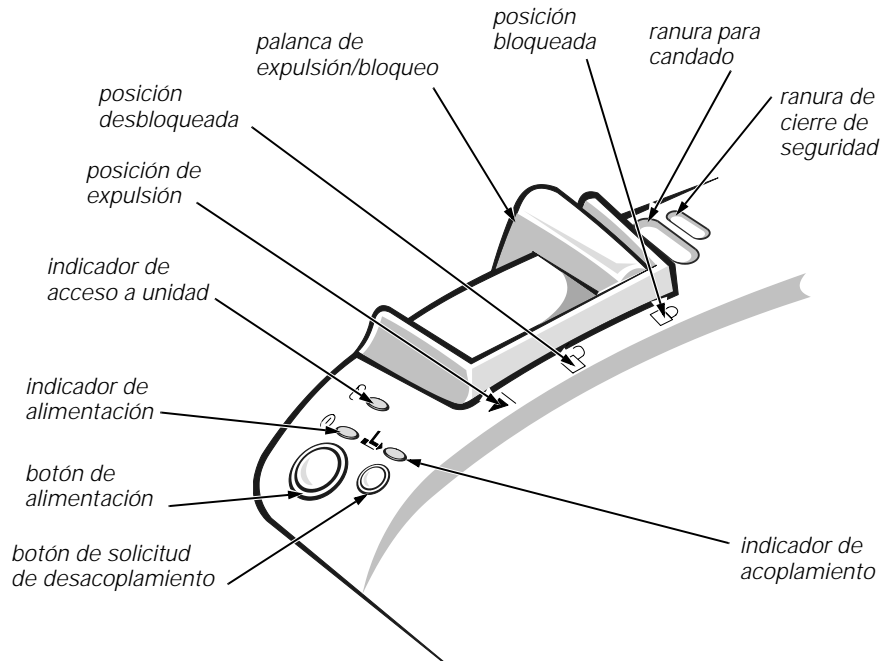


Figura 5-3. Controles e indicadores

Conexión de dispositivos externos al APR

Para conectar dispositivos externos al APR, realice los pasos siguientes:

1. Consulte la Figura 5-1 para conectar dispositivos externos a los conectores apropiados en la parte posterior del APR.



NOTA: si el conector del cable del dispositivo externo tiene tornillos de mariposa, asegúrese de apretarlos para que la conexión sea correcta.

Para obtener información detallada sobre el uso de dispositivos externos en el ordenador, consulte la sección "Conexión de dispositivos externos" en la *Ayuda* del sistema.

2. Conecte los dispositivos externos a una toma de corriente, si es necesario.

Conexión del ordenador al APR

Debe conectar un adaptador de CA al APR antes de acoplar y encender el ordenador. El adaptador de CA alimenta el APR y el ordenador al mismo tiempo. La batería instalada en el ordenador se carga mientras se utiliza el APR.

AVISO: utilice siempre el adaptador de CA de Dell incluido con el APR. (Compruebe que el número de modelo sea PA-6 en la parte inferior del adaptador de CA). Si utiliza otro adaptador de CA disponible en el mercado (o un adaptador de CA de modelos anteriores de ordenadores Dell) puede dañar el APR o el ordenador.

Antes de conectar inicialmente el ordenador al APR, el sistema operativo debe completar su proceso de configuración. Para verificar que el sistema operativo ha completado el proceso de configuración, realice los pasos siguientes:

1. Asegúrese de que el ordenador no está acoplado al APR.
2. Encienda el ordenador.
3. Verifique que el sistema operativo del ordenador ha concluido el proceso de configuración. Para obtener instrucciones, consulte la *Guía de configuración* incluida con el ordenador.
4. Apague el ordenador.

Ahora puede conectar el ordenador al APR como se describe en la siguiente sección, "Acoplamiento del ordenador".

Acoplamiento del ordenador

Para conectar (o *acoplar*) el ordenador al APR, realice los pasos siguientes:

1. Verifique que el sistema operativo ha concluido el proceso de configuración. Para obtener instrucciones, consulte la *Guía de configuración* incluida con el ordenador.
2. Guarde y cierre todos los archivos que estén abiertos, salga de todos los programas de aplicación abiertos y apague el ordenador.
3. Si aún no lo ha hecho, conecte el adaptador de CA al conector del APR (vea la Figura 5-1) y enchufe el cable de alimentación de CA a la toma de corriente.
4. Coloque el ordenador en la plataforma del APR, con la parte posterior del ordenador mirando hacia el conector de acoplamiento del APR, como muestra la Figura 5-4.
5. Deslice el ordenador hacia el conector en la parte hasta que los huecos de la parte inferior del ordenador encajen con los rieles de alineación.

AVISO: si intenta insertar el ordenador totalmente en el APR sin encajar los rieles de alineación, podría dañar el conector de acoplamiento de forma irreparable.



NOTA: si tiene instalado el soporte del monitor no podrá ver los rieles de alineación o el conector de acoplamiento.

6. Empuje con suavidad el ordenador hacia adelante hasta que el conector de acoplamiento esté totalmente encajado.

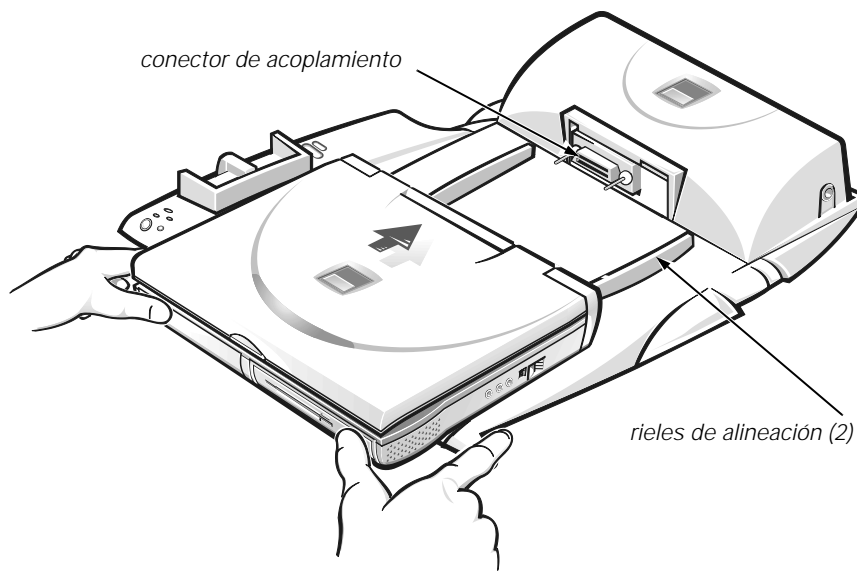


Figura 5-4. Acoplamiento del ordenador

Desacoplamiento del ordenador

Realice los pasos siguientes para desconectar el ordenador del APR:

1. Guarde y cierre todos los archivos abiertos y salga de todos los programas de aplicación.

AVISO: si el ordenador no tiene una batería con carga, se apagará al desconectarlo del APR y se perderán todos los datos no guardados.

AVISO: nunca desacople el ordenador y el APR sin antes preparar el ordenador. Cualquiera de los tres métodos siguientes prepara el sistema operativo, la red y los dispositivos de almacenamiento para el desacoplamiento mediante la conclusión de las transferencias de datos. Si desacopla el ordenador antes de que se completen estas transferencias, perderá los datos y el ordenador puede tardar minutos en recuperar el funcionamiento normal, o no recuperarlo.

2. Para preparar el ordenador para el desacoplamiento, realice uno de los procedimientos siguientes:
 - Pulse <Fn><Esc> en el teclado del ordenador (o pulse <Scroll Lock><Esc> [Bloq Despl y Esc] en el teclado externo).
Espere unos segundos a que se apague el indicador de alimentación del ordenador.
 - Si está utilizando el sistema operativo Microsoft® Windows® 98 o Windows 2000, pulse sobre el botón **Inicio** y después pulse sobre **Eject PC** (Expulsar PC). Si está utilizando el sistema operativo Microsoft Windows NT®, pulse sobre el icono de acoplamiento y después sobre **Undock** (Desacoplar) para colocar el ordenador en modo de espera.
Espere unos segundos a que se apague el indicador de alimentación del ordenador.
 - Pulse el botón de solicitud de desacoplamiento en el APR (vea la Figura 5-5).
Se apagará el indicador de acoplamiento verde.
3. Tire de la palanca de expulsión/bloqueo situada en el lado izquierdo del APR (vea la Figura 5-5) hacia la posición de expulsión para desacoplar el ordenador.

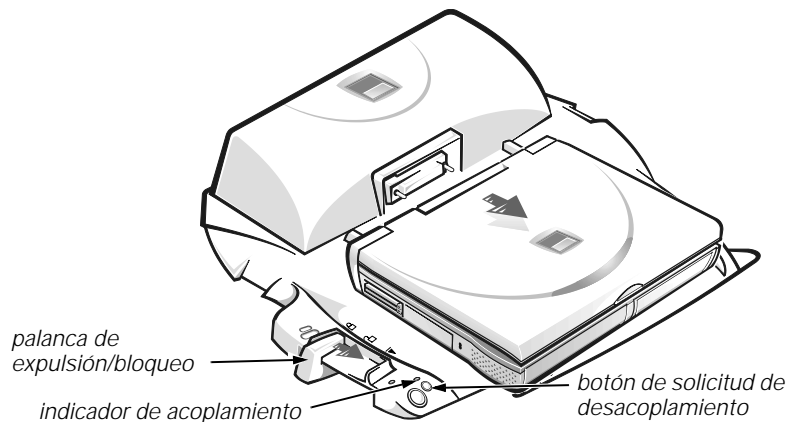


Figura 5-5. Desacoplamiento del ordenador

Soporte de estante del monitor

La configuración del soporte del monitor se muestra en la Figura 5-6.

AVISO: el soporte admite monitores con un peso de hasta 45,3 kilogramos (kg) (100 libras [lb]). Monitores más pesados pueden dañar el soporte, el ordenador y el APR.



NOTA: Asegúrese de que las patas traseras del soporte del monitor encajan en las ranuras situadas a ambos lados de la base de control de acoplamiento.

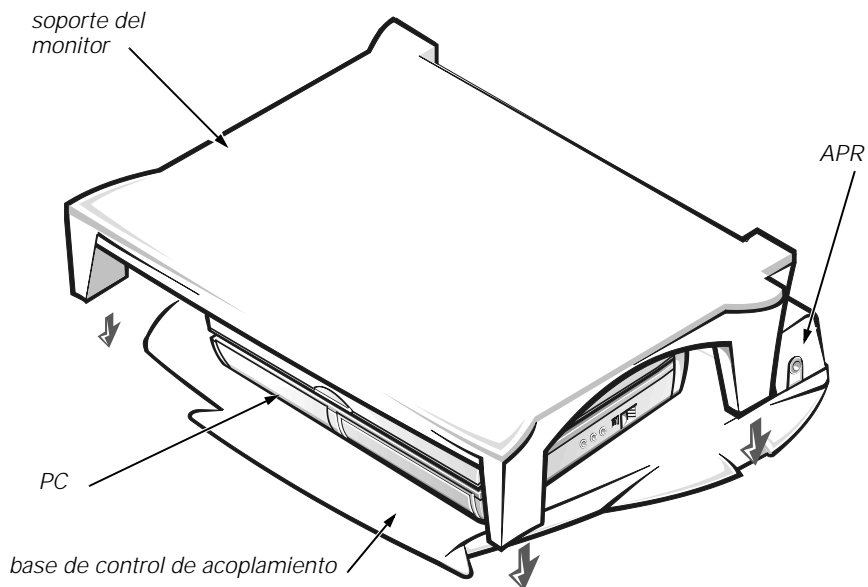


Figura 5-6. APR con el soporte del monitor

Instrucciones de seguridad

Aplique las siguientes pautas de seguridad para proteger el APR contra posibles daños y garantizar su propia seguridad personal:

- No intente reparar usted mismo el APR. Siga siempre las instrucciones de instalación exactamente.
- Asegúrese de que no hay nada sobre el cable de alimentación de CA del adaptador de CA.
- Asegúrese de que el cable no esté situado donde se pueda pisar o tropezar con él.
- Coloque el adaptador de CA en una zona ventilada, por ejemplo sobre un escritorio o en el suelo, al encender el APR. No cubra el adaptador de CA con papeles u otros elementos que puedan reducir la ventilación. No utilice el adaptador de CA dentro de un maletín de transporte.
- No utilice el APR en un entorno húmedo, por ejemplo, cerca del baño, el lavabo, el fregadero, la piscina o una superficie mojada.
- No introduzca objetos en las rejillas de ventilación o aberturas del APR, ya que podría ocasionar un incendio o una descarga eléctrica producidos por un cortocircuito en los componentes interiores.
- Utilice sólo el adaptador CA que se ha aprobado para ser utilizado con este APR tal como se indica en este documento. El uso de otro tipo de adaptador de CA podría implicar un riesgo de incendio o explosión.
- Antes de conectar el APR a una fuente de alimentación, asegúrese de que el tipo de voltaje del adaptador CA coincide con la fuente de alimentación disponible:
 - 115 V/60 hertzios (Hz) en la mayor parte de América del Norte y Sudamérica, así como en algunos países del Lejano Oriente (por ejemplo, Corea del Sur y Taiwán).
 - 100 V/50 Hz en el este de Japón y 100 V/60 Hz en el oeste.
 - 230 V/50 Hz en la mayor parte de Europa, Oriente Medio y Lejano Oriente
- Para prevenir una descarga eléctrica, enchufe el adaptador de CA y los cables de alimentación de los dispositivos periféricos a enchufes con toma de tierra. Estos cables están equipados con enchufes de 3 bornes para garantizar la toma de tierra. No utilice adaptadores ni retire la borna de toma de tierra del enchufe. Si debe utilizar un cable alargador, utilice cable de 3 hilos y enchufes con toma de tierra.
- Si utiliza un alargador con el adaptador de CA, asegúrese de que el porcentaje total de amperios de los productos enchufados al alargador no exceden el porcentaje de amperios de éste.
- Para eliminar la alimentación del APR, apague el ordenador y desconecte el adaptador de CA de la toma de corriente.
- Para evitar el peligro potencial de descargas eléctricas, no conecte o desconecte ningún cable ni realice el mantenimiento o la reconfiguración de este producto durante las tormentas eléctricas.

- Cuando configure el APR para trabajar, colóquelo en una superficie plana.
- Proteja el APR de los peligros ambientales como la suciedad, el polvo, la comida, los líquidos, las temperaturas extremas y las sobreexposiciones a la luz solar.
- Cuando cambie el APR de un medio a otro, con rangos de temperatura o humedad muy distintos, se producirá condensación en el equipo o dentro de éste. Para evitar daños en el APR, deje que transcurra el tiempo suficiente para que se evapore el vaho antes de utilizar el ordenador.

AVISO: cuando mueva el APR de temperaturas bajas a medios más cálidos o de temperaturas muy altas a medios más fríos, espere a que el APR se adapte a la temperatura de la habitación antes de encenderlo.

- Cuando desconecte un cable, tire del conector o del protector, no tire directamente del cable. Cuando retire el conector, manténgalo alineado para evitar doblar las patas. Del mismo modo, antes de conectar un cable, asegúrese de que los dos conectores estén orientados y alineados correctamente.
- Antes de limpiar el APR, apáguelo y desconéctelo de la toma de corriente.
- Limpie el APR con un paño suave mojado en agua en vez de utilizar algún líquido limpiador o aerosol.
- Si el APR se moja o daña, siga los procedimientos descritos en el Capítulo 3, "Solución de problemas", de la *Guía de referencia y solución de problemas*. Si después de seguir estos procedimientos llega a la conclusión de que su APR no funciona de manera apropiada, póngase en contacto con Dell Computer Corporation. (Consulte el Capítulo 5, "Obtención de ayuda", de la *Guía de referencia y solución de problemas* para buscar el número de teléfono apropiado).

Especificaciones técnicas

La Tabla 5-2 muestra las especificaciones técnicas del APR.

Tabla 5-2. Especificaciones técnicas

Física	
Altura:	
Con el soporte del monitor	10,2 cm (4,0 pulgadas)
Independiente	5,8 cm (2,3 pulgadas)
Profundidad:	
Con el soporte del monitor	39,0 cm (15,4 pulgadas)
Independiente	35,8 cm (14,1 pulgadas)
Físicas (continuación)	

NOTA: para ver el nombre completo de las abreviaturas o acrónimos utilizados en esta tabla, consulte el Glosario de la Ayuda del sistema.

Tabla 5-2. Especificaciones técnicas (continuación)

Anchura:	
Con el soporte del monitor	37,5 cm (14,8 pulgadas)
Independiente	40,9 cm (16,1 pulgadas)
Peso:	
Con el soporte del monitor	3,0 kg (6,5 lb)
independiente	1,6 kg (3,5 lb)

Conectores E/S	
Serie (DTE)	conector de 9 patas
Paralelo	conector de 25 orificios
Teclado estilo PS/2 o teclado numérico.	conector de teclado PS/2 de 6 orificios
Ratón compatible PS/2	conector de ratón PS/2 de 6 orificios
Vídeo	conector de 15 orificios
Audio	de salida de altavoz (para auriculares opcionales)
USB (dual)	dos conectores de 4 patas
DE ENTRADA DE CC	un conector
Conector de acoplamiento.	conector de 240 patas
NIC.	conector RJ-45

Controlador de red Ethernet	
Conjunto de chips	3Com [®] 3C920; 10/100 BASE-TX (en conformidad con el estándar PC98)
Amplitud del bus de datos.	interfaz para bus anfitrión PCI de 32 bits
IRQ.	IRQ10

Alimentación	
Voltaje	requiere 20 VCC del adaptador de CA
Intensidad en amperios	3,5 A

NOTA: para ver el nombre completo de las abreviaturas o acrónimos utilizados en esta tabla, consulte el Glosario de la Ayuda del sistema.

Avisos de regulación

Una interferencia electromagnética (EMI, del inglés Electromagnetic Interference) es cualquier señal o emisión, radiada en el espacio o conducida a través de un cable de alimentación o señal, que pone en peligro el funcionamiento de una navegación por radio u otro servicio de seguridad o degrada seriamente, obstruye o interrumpe de forma repetida un servicio de comunicaciones por radio autorizado. Los servicios de radiocomunicaciones incluyen pero no se limitan a emisoras comerciales de AM/FM, televisión, servicios de telefonía móvil, radar, control de tráfico aéreo, buscapersonas y servicios de comunicación personal (PCS, del inglés Personal Communication Services). Estos servicios autorizados, junto con emisores no intencionados como dispositivos digitales, incluidos los sistemas computacionales, contribuyen al entorno electromagnético.

La compatibilidad electromagnética (EMC, del inglés Electromagnetic Compatibility) es la capacidad de los componentes del equipo electrónico de funcionar correctamente juntos en el entorno electrónico. Ya que este sistema se ha diseñado y ajustado para atenerse a los límites de EMI de la agencia de regulación, no hay ninguna garantía de que no ocurra alguna interferencia en una instalación particular. Si este equipo provoca interferencias con servicios de comunicaciones por radio, que se pueden determinar encendiendo y apagando el equipo, pruebe a corregir las interferencias mediante una o más de las siguientes medidas:

- Vuelva a orientar la antena de recepción.
- Vuelva a ubicar el equipo con respecto al receptor.
- Aparte el sistema del receptor.
- Conecte el equipo a un enchufe diferente de forma que el equipo y el receptor se hallen en ramas diferentes del circuito.

Si es necesario, consulte a un representante de regulación de EMC de la corporación de Dell Computer o a un técnico experimentado de radio/televisión para sugerencias adicionales. Un libro que puede serle de gran ayuda es el *FCC Interference Handbook, 1986*. Está disponible a través de la oficina de publicaciones del gobierno de los EE.UU.: U.S. Government Printing Office, Washington, DC 20402, Stock No. 004-000-00450-7, o en el sitio de la Red Mundial en <http://www.fcc.gov/Bureaus/Compliance/WWW/tvibook.html>.

Los sistemas computacionales Dell están diseñados, probados y clasificados según sus entornos electromagnéticos. Estas clasificaciones de entornos electromagnéticos se refieren generalmente a las siguientes definiciones armonizadas:

- Clase A es normalmente para entornos empresariales o industriales.
- Clase B es normalmente para entornos residenciales.

El equipo de tecnología de información (ITE, del inglés Information Technology Equipment), que incluye periféricos, tarjetas de expansión, impresoras, dispositivos de entrada/salida (E/S), monitores, etc., que están integrados en o conectados al sistema deben ajustarse a la clasificación del entorno electromagnético del sistema.

Un aviso acerca de los cables de señal apantallados: Utilice únicamente cables apantallados para conectar periféricos a cualquier dispositivo Dell para reducir las posibilidades de interferencias con servicios de comunicaciones de radio. La utilización de cables blindados garantiza que se mantiene la clasificación EMC adecuada para el entorno diseñado. Para impresoras paralelas, existe un cable disponible de la corporación Dell Computer. Si lo prefiere puede solicitar un cable de Dell Computer Corporation en el sitio <http://www.dell.com/products/dellware/index.htm> de la Red mundial.

Aviso acerca de ordenadores conectados en red: algunos ordenadores Dell clasificados para entornos de Clase B pueden incluir un controlador de interfaz de red integrado (NIC). Si el sistema de Clase B que está utilizando contiene un NIC, puede ser considerado sistema de Clase A al conectar el NIC a una red. Si el NIC no se conecta a una red, se considera que el sistema es un dispositivo digital de Clase B.

La mayoría de los sistemas computacionales Dell están clasificados para entornos de Clase B. Para determinar la clasificación electromagnética de su sistema o dispositivo, consulte las siguientes secciones para cada agencia reguladora. Cada sección proporciona el EMI/EMC específico de cada país o información de seguridad del producto.

Avisos FCC (únicamente en EE.UU.)

La mayoría de los sistemas computacionales Dell están clasificados por la Comisión Federal de Comunicaciones (FCC, del inglés Federal Communications Commission) como dispositivos digitales de Clase B. De todas maneras, la inclusión de ciertas opciones pueden cambiar el rango de algunas clasificaciones a la Clase A. Para determinar qué clasificación se aplica a su sistema, examine todas las etiquetas de registro FCC ubicadas en la parte inferior y en la posterior de su equipo, en las placas de sujeción de las tarjetas y en las propias tarjetas. Si alguna de las etiquetas tiene una clasificación de Clase A, el sistema completo se considera como dispositivo digital de Clase A. Si *todas* las etiquetas tienen la clasificación FCC de Clase B acompañadas por el número de identificación FCC o bien el logotipo FCC, (**FC**), el sistema se considerará como un dispositivo digital de Clase B.

Una vez que determine la clasificación FCC del sistema, lea el aviso FCC correspondiente. Tenga en cuenta que las regulaciones FCC previenen que cambios o modificaciones no aprobados expresamente por la corporación Dell Computer puedan anular su autoridad para operar con este equipo.

Este dispositivo cumple la Sección 15 de la Normativa de la FCC. La funcionalidad está sujeta a las dos condiciones siguientes:

- Este dispositivo no debe provocar interferencias perjudiciales.
- Este dispositivo debe aceptar cualquier interferencia recibida, incluidas las interferencias que puedan provocar un funcionamiento no deseado.

Clase A

Este equipo ha sido probado y se ha hallado que cumple con los límites de los dispositivos digitales de Clase A en conformidad con el apartado 15 de las normas FCC. Estos límites están diseñados para proporcionar una protección razonable contra interferencias perjudiciales cuando el equipo se utiliza en un entorno comercial. Este equipo genera, utiliza y puede radiar energía por radiofrecuencia y si no se instala y utiliza de acuerdo con el manual de instrucciones del fabricante, puede provocar interferencias perjudiciales con comunicaciones de radio. El funcionamiento de este equipo en un área residencial puede llegar a provocar interferencias perjudiciales, en cuyo caso usted será requerido para corregir las interferencias y hacerse cargo del gasto generado.

Clase B

Este equipo ha sido probado y se ha hallado que cumple con los límites de los dispositivos digitales de Clase B en conformidad con el apartado 15 de las normas FCC. Estos límites están diseñados para proporcionar una protección razonable contra interferencias perjudiciales en un entorno residencial. Este equipo genera, utiliza y puede radiar energía por radiofrecuencia y si no se instala y utiliza de acuerdo con el manual de instrucciones del fabricante, puede provocar interferencias con comunicaciones de radio. De todas maneras, no existe garantía de que no ocurran interferencias en una instalación en particular. Si este equipo provoca interferencias con servicios de comunicaciones por radio, que se pueden determinar encendiendo y apagando el equipo, pruebe a corregir las interferencias mediante una o más de las siguientes medidas:

- Vuelva a orientar o ubicar la antena de recepción.
- Aumente la separación entre el equipo y el receptor.
- Conecte el equipo a un enchufe en un circuito diferente del que esté conectado el receptor.
- Para obtener más ayuda, consulte a su distribuidor o a un técnico experimentado en radio/televisión.

La información que se muestra a continuación se proporciona en el dispositivo o dispositivos cubiertos en este documento en cumplimiento con las regulaciones FCC.

- Número de modelo: PRX
- Nombre de la compañía: Dell Computer Corporation
EMC Engineering Department
One Dell Way
Round Rock, Texas 78682 USA
512-338-4400

Aviso IC (únicamente en Canadá)

La mayoría de los sistemas computacionales Dell (y otros aparatos digitales de Dell) están clasificados por el estándar nº 3 de equipos que provocan interferencias (ICES-003, del inglés Interference-Causing Equipment Standard #3) de la Industria de Canadá (IC) como dispositivos digitales de Clase B. Para determinar qué clasificación (Clase A o B) se aplica a su sistema (u otro aparato digital de Dell), examine todas las etiquetas de registro ubicadas en la parte inferior y en la posterior de su equipo (u otro aparato digital). Una sentencia que indique " IC Class A ICES-003" o " IC Class B ICES-003" deberá estar ubicada en alguna de dichas etiquetas. Tenga en cuenta que las regulaciones de la Industria de Canadá previenen que cambios o modificaciones no aprobados expresamente por la corporación Dell Computer puede anular su autoridad para operar con este equipo.

Este aparato digital de Clase B (o de Clase A, si así se indica en la etiqueta de registro) cumple los requisitos de Canadian Interference-Causing Equipment Regulations (regulaciones canadienses de equipos que provocan interferencias).

Cet appareil numérique de la Classe B (ou Classe A, si ainsi indiqué sur l'étiquette d'enregistrement) respecte toutes les exigences du Règlement sur le Matériel Brouilleur du Canada.

Aviso CE (Unión Europea)

El símbolo **CE** indica que este sistema Dell se ajusta a la directiva EMC y a la directiva de bajo voltaje de la unión europea. Las marcas indican que este sistema Dell cumple los siguientes estándares técnicos:

- EN 55022: " Límites y métodos de medición de interferencias de radio características de equipos de tecnología de información".
- EN 50082-1: 1992: " Compatibilidad electromagnética: Inmunidad genérica estándar parte 1: Residencial, comercial e industria ligera".
- EN 60950: " Seguridad de los equipos de tecnología de información".

NOTA: los requisitos de emisiones EN 55022 proporcionan dos clasificaciones:

- *La clase A es para áreas comerciales típicas.*
- *La clase B es para áreas domésticas convencionales.*

Este dispositivo Dell está clasificado para su uso en un entorno doméstico de clase B típico.

Se ha realizado una " Declaración de conformidad" de acuerdo con las directivas anteriores y estándares y está archivada en Dell Products Europe BV, Limerick, Irlanda.



Conformidad EN 55022 (únicamente la República Checa)

Este dispositivo pertenece a los dispositivos de Clase B como se describe en EN 55022, a no ser que aparezca específicamente marcado en la etiqueta de especificación que se trata de un dispositivo de Clase A. Lo siguiente se aplica a dispositivos de Clase A de EN 55022 (con un radio de protección hasta 30 metros). El usuario del dispositivo está obligado a tomar las medidas necesarias para eliminar todas las fuentes de interferencia a telecomunicaciones u otros dispositivos.

Pokud není na typovém štítku počítače uvedeno, že spadá do třídy A podle EN 55022, spadá automaticky do třídy B podle EN 55022. Pro zařízení zařazená do třídy A (ochranné pásmo 30m) podle EN 55022 platí následující. Dojde-li k rušení telekomunikačních nebo jiných zařízení, je uživatel povinen provést taková opatření, aby rušení odstranil.

Aviso VCCI (únicamente en Japón)

La mayoría de los sistemas computacionales Dell están clasificados por el consejo de control voluntario para las interferencias (VCCI, del inglés Voluntary Control Council for Interference) como equipo de tecnología de información (ITE) de Clase B. Sin embargo, la inclusión de ciertas opciones pueden cambiar el rango de algunas clasificaciones a la Clase A. ITE, incluidos periféricos, tarjetas de expansión, impresoras, dispositivos de entrada/salida (E/S), monitores, etc., integrados en o conectados al sistema, deben ajustarse a la clasificación de entorno electromagnético (Clase A o B) del sistema.

Para determinar qué clasificación se aplica a su sistema, examine todas las etiquetas/marcas de regulación (vea las Figuras 5-7 y 5-8) ubicadas en la parte inferior y en la posterior de su equipo. Una vez quede determinada la clasificación VCCI del sistema, lea el aviso VCCI correspondiente.

ITE de Clase A

この装置は、情報処理装置等電波障害自主規制協議会 (VCCI) の基準に基づくクラス A 情報技術装置です。この装置を家庭環境で使用すると電波妨害を引き起こすことがあります。この場合には使用者が適切な対策を講ずるよう要求されることがあります。

Es un producto de Clase A basado en el estándar del consejo de control voluntario para las interferencias (VCCI, del inglés Voluntary Control Council for Interference) para los equipos de tecnología de información. Si este equipo se utiliza en un entorno doméstico, podrán producirse alteraciones de radio. Cuando ocurran dichos problemas, el usuario deberá realizar acciones correctivas.

VCCI-A

Figura 5-7. Marca de regulación de ITE de VCCI de Clase A

ITE de Clase B

この装置は、情報処理装置等電波障害自主規制協議会（VCCI）の基準に基づくクラス B 情報技術装置です。この装置は家庭環境で使用することを目的としていますが、ラジオやテレビジョン受信機に近接して使用されると、受信障害を引き起こすことがあります。
取扱説明書に従って正しい取り扱いをしてください。

Es un producto de Clase B basado en el estándar del consejo de control voluntario para las interferencias (VCCI, del inglés Voluntary Control Council for Interference) para los equipos de tecnología de información. Si este equipo se utiliza cerca de un receptor de radio o televisión en un entorno doméstico, podrá provocar interferencias de radio. Instale y utilice el equipo de acuerdo con el manual de instrucciones.



Figura 5-8. Marca de regulación de ITE de VCCI de Clase B

Aviso MOC (sólo para Corea del Sur)

Para determinar qué clasificación (Clase A o B) le corresponde a su ordenador (o a otro dispositivo digital Dell), examine las etiquetas de registro del Ministerio de Comunicaciones de Corea del Sur (MOC) situadas en el ordenador (o en otro dispositivo digital Dell). La etiqueta MOC puede estar situada en un lugar distinto del de otras marcas de regulación aplicadas al producto. El texto en inglés, “EMI (A)” para productos de Clase A o “EMI (B)” para productos de Clase B, aparece en el centro de la etiqueta MOC (consulte las Figuras 5-9 y 5-10).



NOTA: los requisitos de emisiones MOC proporcionan dos clasificaciones:

- *Los dispositivos de Clase A son para fines empresariales.*
- *Los dispositivos de Clase B son para fines distintos de los empresariales.*

Dispositivo Clase A

장치 종류	사용자 안내문
A 급 기기	이 장치는 업무용으로 전자파 적합등록을 한 장치이오니 판매자 또는 사용자는 이 점을 주의하시기 바라며 만약 잘못 판매 또는 구입하였을 때에는 가정용으로 교환하시기 바랍니다.

Observe que este dispositivo ha sido aprobado para fines empresariales en lo que se refiere a interferencias electromagnéticas. Si considera que este dispositivo no se adapta a sus necesidades, puede cambiarlo por otro con fines distintos a los empresariales.

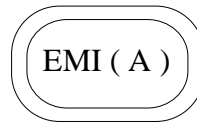


Figura 5-9. Marca de regulación de Clase A de MOC

Dispositivo Clase B

Observe que este dispositivo ha sido aprobado para fines distintos a los empresariales y puede utilizarse en cualquier entorno, incluso en áreas residenciales.

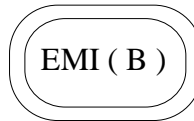


Figura 5-10. Marca de regulación de Clase B de MOC

Aviso del centro polaco de pruebas y certificación

El equipo debe conectarse a un enchufe con circuito de protección (un enchufe de tres bornes). Todos los elementos que funcionan en conjunto (ordenador, monitor, impresora, etcétera) deben tener la misma fuente de alimentación.

El conductor de fase de la instalación eléctrica de la sala debe tener un dispositivo de reserva de protección contra cortocircuitos en forma de fusible con un valor nominal no superior a 16 amperios (A).

Para desconectar totalmente el equipo, es preciso desconectar el cable de la fuente de alimentación del enchufe, que debe estar situado cerca del equipo y ser fácilmente accesible.

La marca de protección "B" confirma que el equipo cumple los requisitos de uso de protección de los estándares PN-93/T-42107 y PN-EN55022:1996.

Wymagania Polskiego Centrum Badań i Certyfikacji

Urządzenie powinno być zasilane z gniazda z przyłączonym obwodem ochronnym (gniazdo z kołkiem). Współpracujące ze sobą urządzenia (komputer, monitor, drukarka) powinny być zasilane z tego samego źródła.

Instalacja elektryczna pomieszczenia powinna zawierać w przewodzie fazowym rezerwową ochronę przed zwarciami, w postaci bezpiecznika o wartości znamionowej nie większej niż 16A (amperów).

W celu całkowitego wyłączenia urządzenia z sieci zasilania, należy wyjąć wtyczkę kabla zasilającego z gniazdka, które powinno znajdować się w pobliżu urządzenia i być łatwo dostępne.

Znak bezpieczeństwa "B" potwierdza zgodność urządzenia z wymaganiami bezpieczeństwa użytkowania zawartymi w PN-93/T-42107 i PN-EN55022:1996.

Pozostałe instrukcje bezpieczeństwa

- Nie należy używać wtyczek adapterowych lub usuwać kołka obwodu ochronnego z wtyczki. Jeżeli konieczne jest użycie przedłużacza to należy użyć przedłużacza 3-żyłowego z prawidłowo połączonym przewodem ochronnym.
- System komputerowy należy zabezpieczyć przed nagłymi, chwilowymi wzrostami lub spadkami napięcia, używając eliminatora przepięć, urządzenia dopasowującego lub bezzakłóceniewego źródła zasilania.
- Należy upewnić się, aby nic nie leżało na kablach systemu komputerowego, oraz aby kable nie były umieszczone w miejscu, gdzie można byłoby na nie nadeptywać lub potykać się o nie.
- Nie należy rozlewać napojów ani innych płynów na system komputerowy.
- Nie należy wpychać żadnych przedmiotów do otworów systemu komputerowego, gdyż może to spowodować pożar lub porażenie prądem, poprzez zwarcie elementów wewnętrznych.
- System komputerowy powinien znajdować się z dala od grzejników i źródeł ciepła. Ponadto, nie należy blokować otworów wentylacyjnych. Należy unikać kładzenia luźnych papierów pod komputer oraz umieszczania komputera w ciasnym miejscu bez możliwości cyrkulacji powietrza wokół niego.

Información para NOM (únicamente para México)

La información siguiente se proporciona en el dispositivo o en los dispositivos descritos en este documento, en cumplimiento con los requisitos de la Norma Oficial Mexicana (NOM):

Exportador:	Dell Computer Corporation One Dell Way Round Rock, TX 78682
Importador:	Dell Computer de México, S.A. de C.V. Rio Lerma No. 302 - 4° Piso Col. Cuauhtemoc 1650 México, D.F.
Embarcar a:	Dell Computer de México, S.A. de C.V. al Cuidado de Kuehne & Nagel de México S. de R.L. Avenida Soles No. 55 Col. Peñón de los Baños 15520 México, D.F.
Tensión alimentación:	100–240 VCA
Frecuencia:	60-50 Hz
Consumo de corriente:	1,5 A

Garantía y política de devoluciones

Garantía limitada de tres años (sólo EE.UU.)

Dell Computer Corporation ("Dell") fabrica sus productos de hardware a partir de piezas y componentes nuevos o equivalentes a nuevos, de acuerdo con las prácticas normales en el sector. Dell garantiza que los productos de hardware que fabrica están libres de defectos tanto de materiales como de mano de obra. El plazo de garantía limitada es de tres años contados desde la fecha de la factura, tal como se describe en el siguiente texto.

Los daños producidos durante la entrega de los productos están cubiertos por esta garantía limitada. En cualquier otro caso, esta garantía limitada no cubre los daños producidos por causas externas, lo que incluye accidente, abuso, uso incorrecto, problemas con la alimentación eléctrica, asistencia no autorizada por Dell, utilización no ajustada a las instrucciones del producto, falla en la realización del mantenimiento preventivo necesario y problemas causados por el uso de piezas y componentes no suministrados por Dell.

Esta garantía limitada no cubre ninguno de los elementos comprendidos en una o más de las siguientes categorías: software, dispositivos externos (excepto los indicados específicamente), accesorios o piezas añadidos a un sistema Dell después de que el sistema ha sido entregado por Dell, accesorios o piezas añadidos a un sistema Dell a través de un departamento de integración de sistemas de Dell, accesorios o piezas no instalados en la fábrica de Dell o productos DellWare™. Los monitores, teclados y ratones de la marca Dell o que están incluidos en la lista de precios estándar de Dell están cubiertos por esta garantía; el resto de monitores, teclados y ratones (incluidos aquellos que se venden a través del programa DellWare) no están cubiertos. Las baterías de los ordenadores portátiles sólo están cubiertas durante el primer año de validez de esta garantía limitada.

Cobertura durante el primer año

Durante el periodo de un año que comienza con la fecha de la factura, Dell reparará o sustituirá los productos cubiertos por esta garantía limitada que sean devueltos a Dell. Para solicitar asistencia en garantía, debe llamar a la Asistencia técnica a clientes de Dell dentro del periodo de garantía. Consulte el capítulo denominado "Obtención de ayuda" de la documentación de solución de problemas de su sistema o, para algunos sistemas, la sección denominada "Ponerse en contacto con Dell" de la guía en línea de su sistema para localizar el número de teléfono correspondiente para conseguir asistencia técnica. Si necesita asistencia en garantía, Dell le proporcionará un Número de autorización para devolución de material. Debe devolver los productos a Dell en su embalaje original o uno equivalente, a portes pagados, y hacerles un seguro o aceptar el riesgo de pérdida o daños durante el envío. Dell enviará los productos reparados o sustituidos a portes pagados, si el destino es una dirección continental de EE.UU., donde sea aplicable. Los envíos a otras ubicaciones se realizarán a portes debidos.



NOTA: Antes de enviar el producto(s) a Dell, haga una copia de seguridad de los datos del disco(s) duro(s) y de cualquier otro dispositivo de almacenamiento en el producto o productos. Saque cualquier medio extraíble, como disquetes, discos compactos o tarjetas PC. Dell no acepta ninguna responsabilidad por la pérdida de datos o de software.

Dell será propietaria de todas las piezas extraídas de los productos reparados. Dell utiliza piezas nuevas o reacondicionadas de diversos fabricantes al realizar reparaciones en garantía y al obtener productos de sustitución. Si Dell repara o sustituye un producto, la duración de su garantía no queda ampliada.

Cobertura durante el segundo y tercer año

Durante los años segundo y tercero de esta garantía limitada, Dell suministrará, sobre una base de intercambio y de acuerdo con la Política de intercambio de Dell en vigor en el momento del intercambio, piezas de repuesto para los productos de hardware de Dell cubiertos por esta garantía limitada, cuando una pieza deba ser sustituida. Debe informar sobre cada falla del hardware a la Asistencia técnica a clientes de Dell antes de obtener la aprobación de Dell para la sustitución de una pieza y conseguir que Dell le envíe la pieza de repuesto. Dell enviará las piezas (a portes pagados) si el destino es una dirección continental de EE.UU., donde sea aplicable. Los envíos a otras ubicaciones se realizarán a portes debidos. Dell incluirá un contenedor de envío a portes pagados con cada pieza de repuesto para que sea utilizado en la devolución a Dell de la pieza sustituida. La piezas de repuestos son nuevas o reacondicionadas. Dell puede proporcionar piezas de repuesto realizadas por diversos fabricantes al suministrarle piezas. El plazo de garantía para una pieza de repuesto es lo que reste del plazo de la garantía limitada.

Deberá pagar a Dell por las piezas de repuesto si la pieza sustituida no se devuelve a Dell. El proceso para devolver piezas de repuesto, y su obligación de pagar las piezas de repuesto si no se devuelven a Dell las piezas sustituidas, estará de acuerdo con la Política de intercambio de Dell en vigor en el momento del intercambio.

Acepta su responsabilidad total sobre su software y sus datos. No será necesario que Dell le advierta o recuerde que debe realizar una copia de seguridad u otros procedimientos apropiados.

Provisiones generales

ESTA GARANTÍA LIMITADA LE OTORGA DERECHOS LEGALES ESPECÍFICOS QUE PUEDEN VARIAR DE UN ESTADO A OTRO (O DE UNA JURISDICCIÓN A OTRA). LA RESPONSABILIDAD DE DELL POR FUNCIONAMIENTO INCORRECTO O DEFECTOS EN EL HARDWARE ESTÁ LIMITADA A LA REPARACIÓN O SUSTITUCIÓN, TAL COMO SE ESTABLECE EN ESTA DECLARACIÓN DE GARANTÍA LIMITADA. TODAS LAS GARANTÍAS EXPLÍCITAS O IMPLÍCITAS PARA EL PRODUCTO, INCLUIDAS ENTRE OTRAS LAS GARANTÍAS IMPLÍCITAS Y CONDICIONES DE COMERCIALIZACIÓN E IDONEIDAD PARA UN PROPÓSITO PARTICULAR, ESTÁN LIMITADAS EN CUANTO A DURACIÓN, AL PERIODO DE GARANTÍA ESTABLECIDO ANTERIORMENTE Y NO SERÁ DE APLICACIÓN DESPUÉS DE DICHO PERIODO, NINGUNA GARANTÍA YA SEA EXPLÍCITA O IMPLÍCITA.

ALGUNOS ESTADOS (O JURISDICCIONES) NO PERMITEN LIMITACIONES EN LA DURACIÓN DE UNA GARANTÍA IMPLÍCITA, POR LO QUE LA LIMITACIÓN ANTERIOR PUEDE NO SER APLICABLE EN SU CASO.

DELL NO ACEPTA RESPONSABILIDAD MÁS ALLÁ DE LAS COMPENSACIONES ESTABLECIDAS EN ESTA DECLARACIÓN DE GARANTÍA LIMITADA O RESPONSABILIDAD POR DAÑOS ACCIDENTALES O CONSECUENTES, INCLUYENDO SIN LIMITACIÓN, CUALQUIER RESPONSABILIDAD POR PRODUCTOS NO DISPONIBLES PARA SU USO O POR PÉRDIDA DE DATOS O SOFTWARE.

ALGUNOS ESTADOS (O JURISDICCIONES) NO PERMITEN LA EXCLUSIÓN O LIMITACIÓN DE DAÑOS ACCIDENTALES O CONSECUENTES, POR LO QUE LA EXCLUSIÓN O LIMITACIÓN ANTERIOR PUEDE NO SER APLICABLE EN SU CASO.

Estas provisiones se aplican sólo a la garantía limitada de tres años de Dell. Para conocer las disposiciones de cualquier contrato de servicios que pueda cubrir su sistema, consulte la factura o el contrato de servicio independiente que reciba.

Si Dell decide intercambiar un sistema o componente, el intercambio se realizará de acuerdo con la Política de intercambio de Dell en vigor en el momento del intercambio. En los casos en los que Dell proporciona un Número de autorización para devolución de material, Dell debe recibir el producto(s) para reparar antes de la fecha de vencimiento del periodo de garantía, para que la reparación quede cubierta por la garantía.



NOTA: si elige alguna de las opciones de garantía y servicio disponibles en lugar de la garantía estándar limitada de tres años descrita en el texto anterior, la opción seleccionada aparecerá descrita en la factura correspondiente.

Garantía limitada de tres años (sólo Canadá)

Dell Computer Corporation ("Dell") fabrica sus productos de hardware a partir de piezas y componentes nuevos o equivalentes a nuevos, de acuerdo con las prácticas normales en el sector. Dell garantiza que los productos de hardware que fabrica están libres de defectos tanto de materiales como de mano de obra. El plazo de garantía es de tres años contados desde la fecha de la factura, tal como se describe en el siguiente texto.

Los daños producidos durante la entrega de los productos están cubiertos por esta garantía limitada. En cualquier otro caso, esta garantía limitada no cubre los daños producidos por causas externas, lo que incluye accidente, abuso, uso incorrecto, problemas con la alimentación eléctrica, asistencia no autorizada por Dell, utilización no ajustada a las instrucciones del producto, falla en la realización del mantenimiento preventivo necesario y problemas causados por el uso de piezas y componentes no suministrados por Dell.

Esta garantía limitada no cubre ninguno de los elementos comprendidos en una o más de las siguientes categorías: software, dispositivos externos (excepto los indicados específicamente), accesorios o piezas añadidos a un sistema Dell después de que el sistema ha sido entregado por Dell, accesorios o piezas añadidos a un sistema Dell a través de un departamento de integración de sistemas de Dell,

accesorios o piezas no instalados en la fábrica de Dell o productos DellWare. Los monitores, teclados y ratones de la marca Dell o que están incluidos en la lista de precios estándar de Dell están cubiertos por esta garantía; el resto de monitores, teclados y ratones (incluidos aquellos que se venden a través del programa DellWare) no están cubiertos. Las baterías de los ordenadores portátiles sólo están cubiertas durante el primer año de validez de esta garantía limitada.

Cobertura durante el primer año

Durante el periodo de un año que comienza con la fecha de la factura, Dell reparará o sustituirá los productos cubiertos por esta garantía limitada que sean devueltos a Dell. Para solicitar asistencia en garantía, debe llamar a la Asistencia técnica a clientes de Dell dentro del periodo de garantía. Consulte el capítulo denominado “Obtención de ayuda” de la documentación de solución de problemas de su sistema o, para algunos sistemas, la sección denominada “Ponerse en contacto con Dell” de la guía en línea de su sistema para localizar el número de teléfono correspondiente para conseguir asistencia técnica. Si necesita asistencia en garantía, Dell le proporcionará un Número de autorización para devolución de material. Debe devolver los productos a Dell en su embalaje original o uno equivalente, a portes pagados, y hacerles un seguro o aceptar el riesgo de pérdida o daños durante el envío. Dell enviará los productos reparados o sustituidos a portes pagados, si el destino es una dirección de Canadá, donde sea aplicable. Los envíos a otras ubicaciones se realizarán a portes debidos.



NOTA: Antes de enviar el producto(s) a Dell, haga una copia de seguridad de los datos del disco(s) duro(s) y de cualquier otro dispositivo de almacenamiento en el producto o productos. Saque cualquier medio extraíble, como disquetes, discos compactos o tarjetas PC. Dell no acepta ninguna responsabilidad por la pérdida de datos o de software.

Dell será propietaria de todas las piezas extraídas de los productos reparados. Dell utiliza piezas nuevas o reacondicionadas de diversos fabricantes al realizar reparaciones en garantía y al obtener productos de sustitución. Si Dell repara o sustituye un producto, la duración de su garantía no queda ampliada.

Cobertura durante el segundo y tercer año

Durante los años segundo y tercero de esta garantía limitada, Dell suministrará, sobre una base de intercambio y de acuerdo con la Política de intercambio de Dell en vigor en el momento del intercambio, piezas de repuesto para los productos de hardware de Dell cubiertos por esta garantía limitada, cuando una pieza deba ser sustituida. Debe informar sobre cada falla del hardware a la Asistencia técnica a clientes de Dell antes de obtener la aprobación de Dell para la sustitución de una pieza y conseguir que Dell le envíe la pieza de repuesto. Dell enviará las piezas (a portes pagados) si el destino es una dirección de Canadá, donde sea aplicable. Los envíos a otras ubicaciones se realizarán a portes debidos. Dell incluirá un contenedor de envío a portes pagados con cada pieza de repuesto para que sea utilizado en la devolución a Dell de la pieza sustituida. Las piezas de repuestos son nuevas o reacondicionadas. Dell puede proporcionar piezas de repuesto realizadas por diversos fabricantes al suministrarle piezas. El plazo de garantía para una pieza de repuesto es lo que reste del plazo de la garantía limitada.

Deberá pagar a Dell por las piezas de repuesto si la pieza sustituida no se devuelve a Dell. El proceso para devolver piezas de repuesto, y su obligación de pagar las piezas de repuesto si no se devuelven a Dell las piezas sustituidas, estará de acuerdo con la Política de intercambio de Dell en vigor en el momento del intercambio.

Acepta su responsabilidad total sobre su software y sus datos. No será necesario que Dell le advierta o recuerde que debe realizar una copia de seguridad u otros procedimientos apropiados.

Provisiones generales

DELL NO HACE GARANTÍAS EXPRESAS NI CONDICIONES QUE VAYAN MÁS ALLÁ DE LAS ESTIPULADAS EN ESTA DECLARACIÓN DE GARANTÍA LIMITADA. DELL RENUNCIA A TODAS LAS DEMÁS GARANTÍAS Y CONDICIONES EXPRESAS O IMPLÍCITAS INCLUIDAS, ENTRE OTRAS, LAS GARANTÍAS IMPLÍCITAS Y CONDICIONES DE COMERCIABILIDAD E IDONEIDAD PARA UN PROPÓSITO PARTICULAR. ALGUNOS ESTADOS (O JURISDICCIONES) NO PERMITEN LIMITACIONES EN LAS GARANTÍAS IMPLÍCITAS O CONDICIONES, POR LO QUE LA LIMITACIÓN ANTERIOR PUEDE NO SER APLICABLE EN SU CASO.

LA RESPONSABILIDAD DE DELL POR FUNCIONAMIENTO INCORRECTO O DEFECTOS EN EL HARDWARE ESTÁ LIMITADA A LA REPARACIÓN O SUSTITUCIÓN, TAL COMO SE ESTABLECE EN ESTA DECLARACIÓN DE GARANTÍA LIMITADA. ESTAS GARANTÍAS LE OTORGAN DERECHOS LEGALES ESPECÍFICOS A LOS QUE PUEDEN SUMARSE OTROS DERECHOS, QUE PUEDEN VARIAR DE UN ESTADO A OTRO (O DE UNA JURISDICCIÓN A OTRA).

DELL NO ACEPTA RESPONSABILIDAD MÁS ALLÁ DE LAS COMPENSACIONES ESTABLECIDAS EN ESTA DECLARACIÓN DE GARANTÍA LIMITADA O RESPONSABILIDAD POR DAÑOS ACCIDENTALES O CONSECUENTES, INCLUYENDO SIN LIMITACIÓN, CUALQUIER RESPONSABILIDAD POR PRODUCTOS NO DISPONIBLES PARA SU USO O POR PÉRDIDA DE DATOS O SOFTWARE.

ALGUNOS ESTADOS (O JURISDICCIONES) NO PERMITEN LA EXCLUSIÓN O LIMITACIÓN DE DAÑOS ACCIDENTALES O CONSECUENTES, POR LO QUE LA EXCLUSIÓN O LIMITACIÓN ANTERIOR PUEDE NO SER APLICABLE EN SU CASO.

Estas provisiones se aplican sólo a la garantía limitada de tres años de Dell. Para conocer las disposiciones de cualquier contrato de servicios que pueda cubrir su sistema, consulte la factura o el contrato de servicio independiente que reciba.

Si Dell decide intercambiar un sistema o componente, el intercambio se realizará de acuerdo con la Política de intercambio de Dell en vigor en el momento del intercambio. En los casos en los que Dell proporciona un Número de autorización para devolución de material, Dell debe recibir el producto(s) para reparar antes de la fecha de vencimiento del periodo de garantía, para que la reparación quede cubierta por la garantía.



NOTA: si elige alguna de las opciones de garantía y servicio disponibles en lugar de la garantía estándar limitada de tres años descrita en el texto anterior, la opción seleccionada aparecerá descrita en la factura correspondiente.

Política de devolución “Satisfacción total” (sólo EE.UU. y Canadá)

Si usted es un usuario final que compró productos nuevos directamente a una empresa de Dell, puede devolverlos a Dell en el plazo de 30 días desde la fecha de la factura para obtener un reembolso o un crédito por el precio de adquisición del producto. Si usted es un usuario final que compró productos reacondicionados o restaurados a una empresa de Dell, puede devolverlos a Dell en el plazo de 14 días desde la fecha de la factura para obtener un reembolso o un crédito por el precio de adquisición del producto. En ambos casos, el reembolso o crédito no incluirá los gastos de envío o manipulación que aparecen en la factura. Si usted representa a una organización que compró productos nuevos bajo un acuerdo por escrito con Dell, el acuerdo puede contener términos diferentes para la devolución de productos a los especificados en esta política.

Para devolver productos, debe llamar al Servicio a clientes de Dell para obtener un Número de autorización para devolución de crédito. Consulte el Capítulo 5, “Obtención de ayuda”, o la sección titulada “Ponerse en contacto con Dell” en la *Ayuda* del sistema para localizar el número de teléfono correspondiente al departamento de asistencia a clientes. Para acelerar el proceso de reembolso o crédito, Dell espera que devuelva los productos a Dell en su embalaje original, en el plazo de cinco días desde la fecha en la que Dell proporciona el Número de autorización para devolución de crédito. Además debe pagar los portes y hacer un seguro o aceptar el riesgo de pérdida o daños durante el envío. Puede devolver software para obtener un reembolso o un crédito sólo si el paquete sellado que contiene el disquete(s) o disco(s) compacto(s) no ha sido abierto. Los productos devueltos deben encontrarse como nuevos, y todos los manuales, disquetes, discos compactos, cables de alimentación y cualesquiera otros elementos incluidos con un producto deben ser devueltos con él. Los clientes que deseen devolver software de aplicaciones o un sistema operativo instalados por Dell, sólo si desean obtener un reembolso o un crédito, deben devolver el sistema completo, además de los medios y documentación que estuvieran incluidos en el envío original.

Esta Política de devolución “Satisfacción total” no se aplica a los productos DellWare, los cuales pueden devolverse bajo la política de devolución de DellWare en vigor. Además, las piezas reacondicionadas adquiridas a través de Ventas de piezas de repuesto de Dell en Canadá no pueden ser devueltas.

